

GREENERY CALCULATIONS (UNDER PACKAGE 23A-ART PARK)

GREENERY CALCULATION OF PEDESTRIAN ZONE (WITHIN 15m FROM MEAN STREET LEVEL)

1 x (31) PLANTER	= 42
1 x (32) LAWN	= 1260
1 x (33) LAWN	= 54
1 x (34) LAWN	= 85
1 x (35) LAWN	= 86
1 x (36) LAWN	= 25
1 x (37) LAWN	= 179
1 x (38) LAWN	= 105
1 x (39) LAWN	= 60
1 x (40) LAWN	= 449
TOTAL	= 2285 s.m.

COVERED GREENERY CALCULATION OF PEDESTRIAN ZONE (WITHIN 15m FROM MEAN STREET LEVEL)

1 x (36) COVERED PLANTER	= 6 s.m.
TOTAL	= 6 x 50% = 3 s.m.

AREA CALCULATIONS OF WATER FEATURE & GRASS PAVER

1 x (35) WATER FEATURE	= 144
1 x (37) GRASS PAVER	= 366
1 x (34) GRASSCRETE	= 336
TOTAL	= 480 s.m.
Ratio	= 480 x 50% = 240 s.m.

AREA CALCULATIONS OF VERTICAL GREENING

1 x (40) VERTICAL GREENING	= 42 s.m.
----------------------------	-----------

TOTAL GREENERY OF PEDESTRIAN ZONE (UNDER PACKAGE 23A)

= 2285 + 3 + 240 + 42 = 2570 s.m.

TOTAL GREENERY AREA (UNDER PACKAGE 23A)

= 2570 s.m.

GREENERY CALCULATIONS (UNDER PACKAGE 21A-HKPM)

GREENERY CALCULATION OF PEDESTRIAN ZONE (WITHIN 15m FROM MEAN STREET LEVEL)

1 x (1) PLANTER	= 415
1 x (2) PLANTER	= 1033
1 x (3) PLANTER	= 296
1 x (4) LAWN	= 12
6 x (5) LAWN	= 30
1 x (6) LAWN	= 11
1 x (7) LAWN	= 24
1 x (8) LAWN	= 35
1 x (9) LAWN	= 22
1 x (10) LAWN	= 35
TOTAL	= 1913 s.m.

COVERED GREENERY CALCULATION OF PEDESTRIAN ZONE (WITHIN 15m FROM MEAN STREET LEVEL)

12 x (1) STONE STEP	= 12 s.m.
Total Area	= 1913 - 12 = 1901 s.m.

COVERED GREENERY CALCULATION OF PEDESTRIAN ZONE (WITHIN 15m FROM MEAN STREET LEVEL)

1 x (11) COVERED PLANTER	= 28
1 x (12) COVERED PLANTER AT GF	= 19
1 x (13) COVERED LAWN	= 26
1 x (14) COVERED LAWN	= 42
1 x (15) COVERED LAWN	= 119
1 x (16) COVERED PLANTER	= 5
1 x (17) COVERED LAWN	= 26
1 x (18) COVERED LAWN	= 24
1 x (19) COVERED PLANTER AT 1/F	= 12
TOTAL	= 301 s.m.
Ratio	= 301 x 50% = 150 s.m.

AREA CALCULATIONS OF WATER FEATURE & GREEN ROOF

1 x (21) WATER FEATURE	= 304
1 x (22) WATER FEATURE	= 15
1 x (23) GREEN ROOF	= 43
TOTAL	= 319 s.m.
Ratio	= (319 - 10) x 50% = 154 s.m.

AREA CALCULATIONS OF VERTICAL GREENING

1 x (24) VERTICAL GREENING	= 25
1 x (25) VERTICAL GREENING	= 85
1 x (26) VERTICAL GREENING	= 43
1 x (27) VERTICAL GREENING	= 72
2 x (28) VERTICAL GREENING	= 124
1 x (29) VERTICAL GREENING	= 19
TOTAL	= 368 s.m.

TOTAL GREENERY OF PEDESTRIAN ZONE (UNDER PACKAGE 21A)

= 1901 + 150 + 154 + 368 = 2573 s.m.

GREENERY CALCULATION OF 4/F (GREENERY AREA AT TERRACE ZONE)

1 x (60) PLANTER AT 4/F	= 16
1 x (61) PLANTER AT 4/F	= 12
TOTAL	= 28 s.m.

TOTAL GREENERY OF 4/F

= 28 s.m.

TOTAL GREENERY AREA (UNDER PACKAGE 21A)

= 2573 + 28 = 2601 s.m.

TOTAL GREENERY OF PEDESTRIAN ZONE (UNDER PACKAGE 21A & 23A)

= 2573 + 2570 = 5143 s.m.

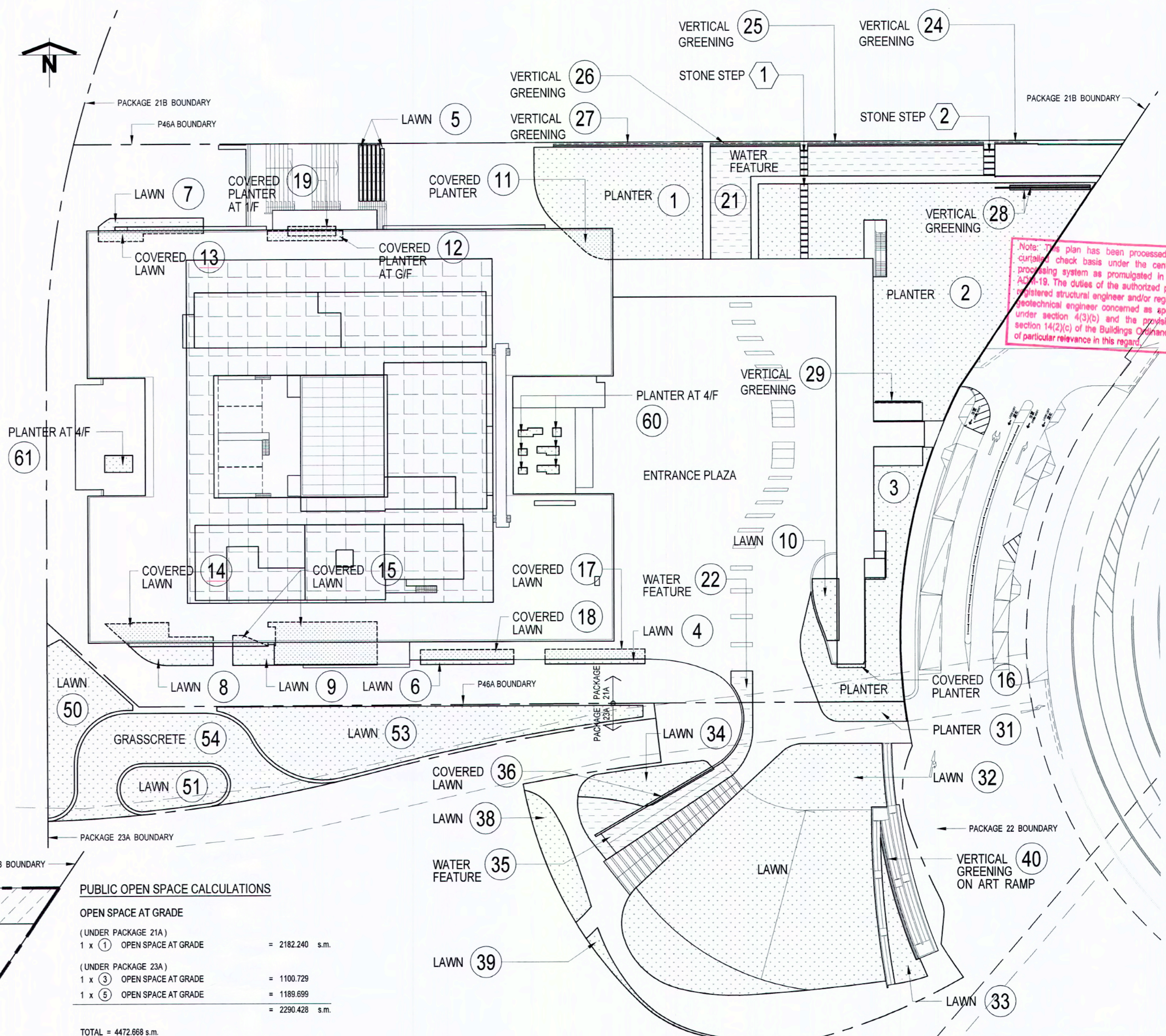
TOTAL GREENERY AREA (UNDER PACKAGE 21A & 23A)

= 5143 + 28 = 5171 s.m.

CALCULATIONS FOR SITE COVERAGE OF GREENERY

SITE AREA	= 17223 s.m. < 20000 s.m.
SITE COVERAGE OF PROVIDED GREENERY AREA AT PEDESTRIAN ZONE	= 5143 s.m. / 17223 s.m. x 100% = 29.861% > 10%
SITE COVERAGE OF PROVIDED GREENERY AREA AT TERRACE ZONE	= 28 s.m. / 17223 s.m. x 100% = 0.162% > 20%
TOTAL SITE COVERAGE OF PROVIDED GREENERY AREA	= 5171 s.m. / 17223 s.m. x 100% = 30.024% > 20%
RATIO OF OTHER GREENERY FEATURE PROVISION	= (150 + 154 + 368 + 3 + 240 + 42) s.m. / 5171 s.m. x 100% = 18.507% < 30%

- NOTES FOR GREENERY:**
- ALL GREENERY AREAS SHALL BE MEASURED HORIZONTALLY BASED ON THE SOIL AREAS AS SHOWN ON THE PLAN.
 - THE RECOMMENDED MINIMUM SOIL DEPTHS FOR TREE, SHRUBS, GRASS/GROUND COVERS ARE 1.2m, 0.6m AND 0.3m RESPECTIVELY FOR PEDESTRIAN LEVEL, 0.3m SOIL DEPTH FOR ALL GREEN ROOF.
 - LANDSCAPE-TREATED SLOPES / RETAINING STRUCTURES SHALL BE MEASURED BY THE ELEVATED AREA OF THE SOIL WHERE THE GREENERY WILL GROW, AND WHERE THE GRADIENT OF THE SLOPE VARIES. AN AVERAGED GRADIENT MAY BE ACCEPTED FOR THE AVOIDANCE OF DOUBT. LANDSCAPE-TREATED SLOPES / RETAINING STRUCTURES WITH GRADIENT EQUAL OR LESS THAN 45 DEGREES IS NOT SUBJECT TO THE ABOVE RESTRICTION AND WILL BE MEASURED HORIZONTALLY BASED ON THE SOIL AREAS AS SHOWN ON THE PLAN.



Note: This plan has been processed on a certified check basis under the centralised processing system as promulgated in PNP/2019. The duties of the authorized person, professional structural engineer and/or registered professional engineer concerned as specified under section 4(3)(b) and the provision of section 14(2)(c) of the Buildings Ordinance are of particular relevance in this regard.

B.D. REF: 214042/17
F.S.D. REF: FP/9/27927 (A)
KEY PLAN

NOTES:
This drawing and the contents herein are the copyright of Rocco Design Architects Limited. 本圖紙及其內容的版權歸許李耀建築師事務所有限公司所有。
No part of the drawing and the design contained herein may be reproduced without the prior written consent of a director of Rocco Design Architects Limited. 未經本公司董事書面同意，不得複製此圖紙內任何內容或設計。
Do not take measurements directly from this drawing. 切勿直接從圖紙上量度尺寸。
Check and verify all dimensions on site. 所有尺寸必須在工地現場檢查及審核。
Read this drawing in conjunction with the specifications and all other related drawings. 此圖紙必須與規格說明書及其它有關圖紙一併閱讀。
Notify the Architect immediately of any discrepancy found herein. 如發現內容有任何錯誤之處，應立即通知建築師。

AMENDED PLAN
THIS COPY FOR B. D.

Statement II
The works shown on this plan are Type II works (specify) **BUILDING WORKS** in respect of which consent is applied for the purpose of Fast Track consent application under regulation 33 of the Building (Administration) Regulations.

28 JUN 2021
LIM Ming-cham Gordon
Senior Building Surveyor
for BUILDING AUTHORITY
20 AUG 2021

REV.	DATE	DESCRIPTION	APPROVED
XH	28 JUN 2021	BD AMENDMENT	FH
XG	22 MAR 2021	BD AMENDMENT	FH
XF	18 DEC 2020	BD AMENDMENT	FH
XE	13 MAR 2020	BD AMENDMENT	FH
XD	24 DEC 2018	BD AMENDMENT	FH
XC	01 AUG 2018	BD AMENDMENT	FH
XB	16 APR 2018	BD AMENDMENT	FH
XA	28 JUL 2017	BD SUBMISSION	FH

ARCHITECT / AP
ROCCO
許李耀

ENGINEERING CONSULTANTS
ARUP

QUANTITY SURVEYOR
RLB Rider Levett Bucknall

JOB TITLE
THE HONG KONG PALACE MUSEUM

DRAWING TITLE
COVERAGE OF GREENERY & PUBLIC OPEN SPACE DIAGRAMS & CALCULATIONS

SCALE	N.T.S.	PRINTED	A1
CHECKED	SHW	DATE	28 JUN 2021
APPROVED	FH	DATE	28 JUN 2021
DRAWN	MIC	DATE	28 JUN 2021

CONTRACT NO.
DRAWING NO.
0446A-RDA-ARC-CAL-B265-P00-SBDG-GBP

CAD REF NAME: 0446A-RDA-ARC-CAL-B265-P00-SBDG-GBP_XH.DWG
EMPLOYER

westKowloon
西九文化區

PUBLIC OPEN SPACE CALCULATIONS

OPEN SPACE AT GRADE (UNDER PACKAGE 21A)

1 x (1) OPEN SPACE AT GRADE	= 2182.240 s.m.
TOTAL	= 2182.240 s.m.

(UNDER PACKAGE 23A)

1 x (3) OPEN SPACE AT GRADE	= 1100.729
1 x (5) OPEN SPACE AT GRADE	= 1189.699
TOTAL	= 2290.428 s.m.

TOTAL OPEN SPACE

(UNDER PACKAGE 21A) = 2182.240 s.m. + 1100.729 s.m. = 3282.969 s.m.
(UNDER PACKAGE 23A) = 2290.428 s.m. + 1170.086 s.m. = 4460.514 s.m.
TOTAL = 13034.050 s.m.

OPEN SPACE AT LANDSCAPED AREA (UNDER PACKAGE 21A)

1 x (2) OPEN SPACE AT LANDSCAPED AREA	= 6851.306 s.m.
TOTAL	= 6851.302 s.m.

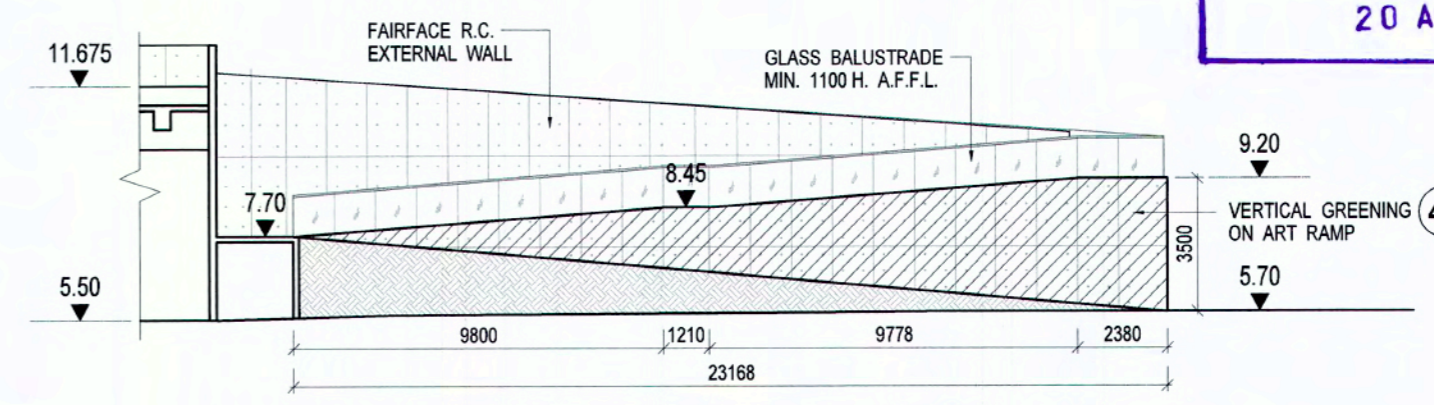
(UNDER PACKAGE 23A)

1 x (4) OPEN SPACE AT LANDSCAPED AREA	= 1710.086 s.m.
TOTAL	= 8561.392 s.m.

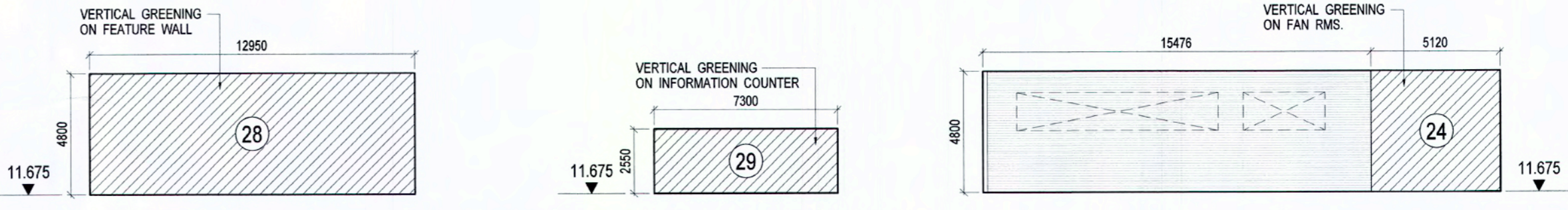
TOTAL OPEN SPACE

(UNDER PACKAGE 21A) = 2182.240 s.m. + 6851.306 s.m. = 9033.546 s.m.
(UNDER PACKAGE 23A) = 2290.428 s.m. + 1710.086 s.m. = 4000.514 s.m.
TOTAL = 13034.050 s.m.

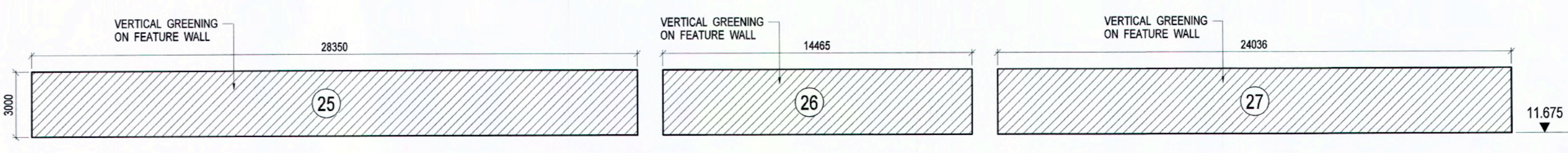
COVERAGE OF GREENERY DIAGRAM



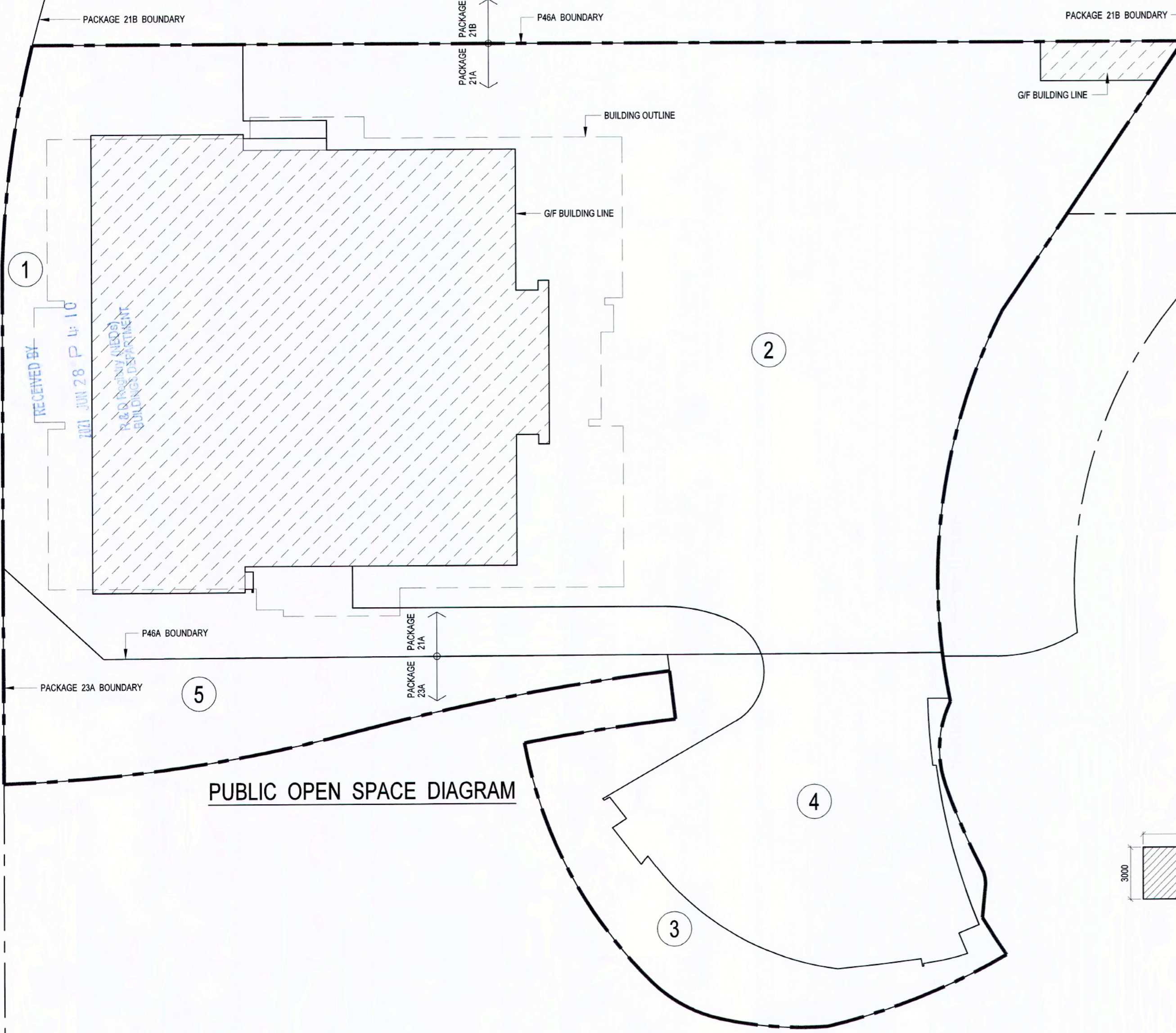
VERTICAL GREENING AREA DIAGRAM FACING WEST



VERTICAL GREENING AREA DIAGRAM FACING NORTH



VERTICAL GREENING AREA DIAGRAM FACING NORTH



PUBLIC OPEN SPACE DIAGRAM