


REVISIONS

NO.	DESCRIPTION AND DATE	INITIAL AND DESIGNATION		
		DWN	CHKD	AUTH

FIRST ISSUE			
NAME AND DESIGNATION	INITIAL	DATE	
AUTHORISED			
CHECKED			
DRAWN			

CLIENT:



MECHEUNG INNOVATIVE CONSTRUCTION (MIC) LTD.
 UNIT G, 19/F, SEABRIGHT PLAZA,
 9-23 SHELL STREET,
 NORTH POINT,
 HONG KONG
 Tel: (852) 2872 4215
 Fax: (852) 2884 5823

CONSULTING ARCHITECT:



APL Architects & Consultants Ltd.
 ADDRESS: UNIT A2, 5/F, OFFICE PLUS @ MONG KOK
 998 CANTON ROAD, MONG KOK, HONGKONG
 TEL: 2152 9982
 FAX: 3020 4620

REGISTERED STRUCTURAL ENGINEER:



BeFrank Engineering Consultant Ltd.
 ADDRESS : UNIT 501, 5/F, KAM ON BUILDING,
 178 A-F QUEEN'S ROAD CENTRAL, CENTRAL, H.K.
 TEL. NO. : 2110 5023
 FAX. NO. : 3007 3140
 EMAIL : info@befrank.com.hk

CONTRACT NO.

FILE NO.

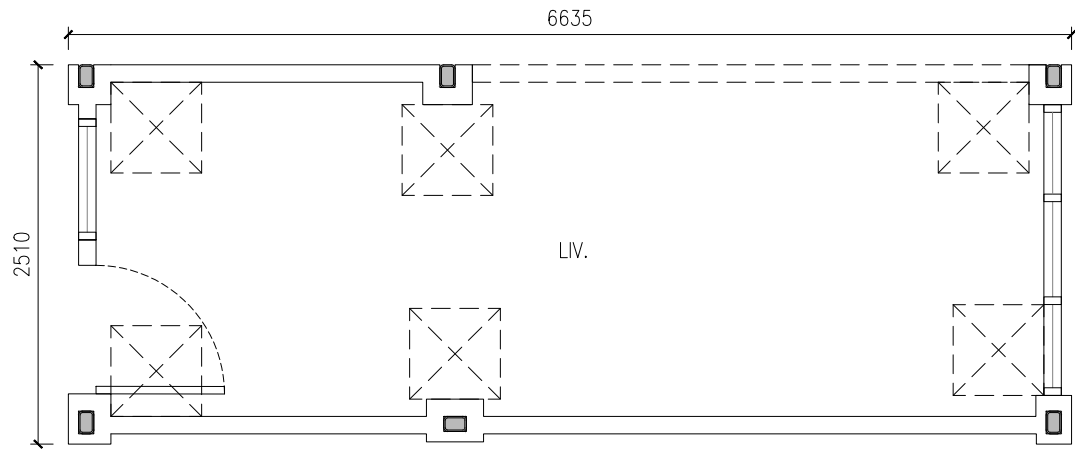
PROJECT NO. 19124

PROJECT
 PRE-ACCEPTANCE FOR MODERNA HOME MIC SYSTEM 2
 MODEL NUMBER MCCCL-01

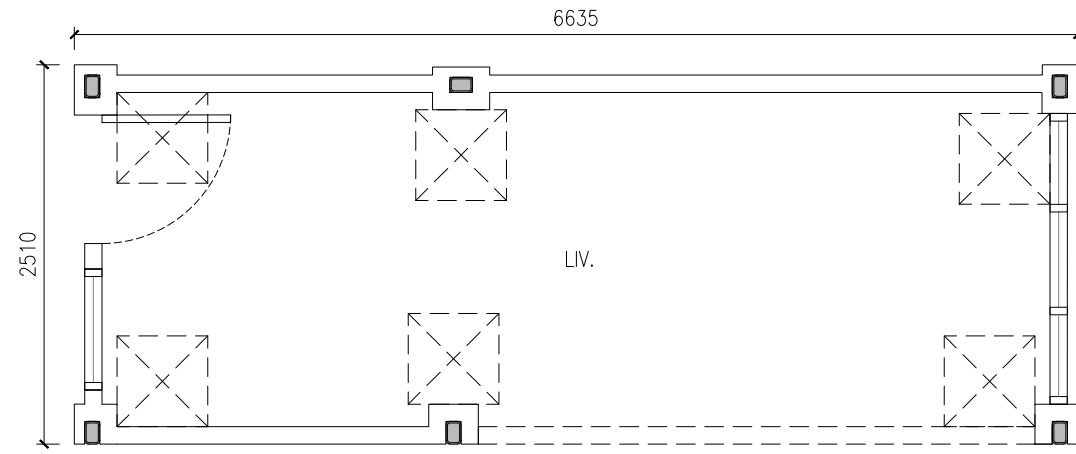
DRAWING TITLE
 TYPICAL MODULE PLANS

SCALE 1:50 PAPER SIZE A3

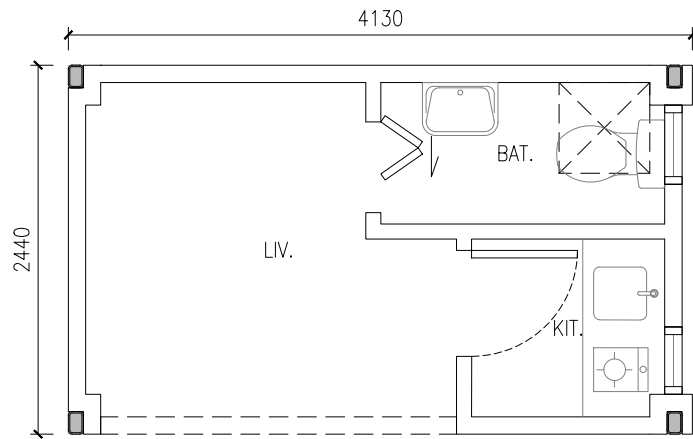
DRAWING NO. 01 REV. -



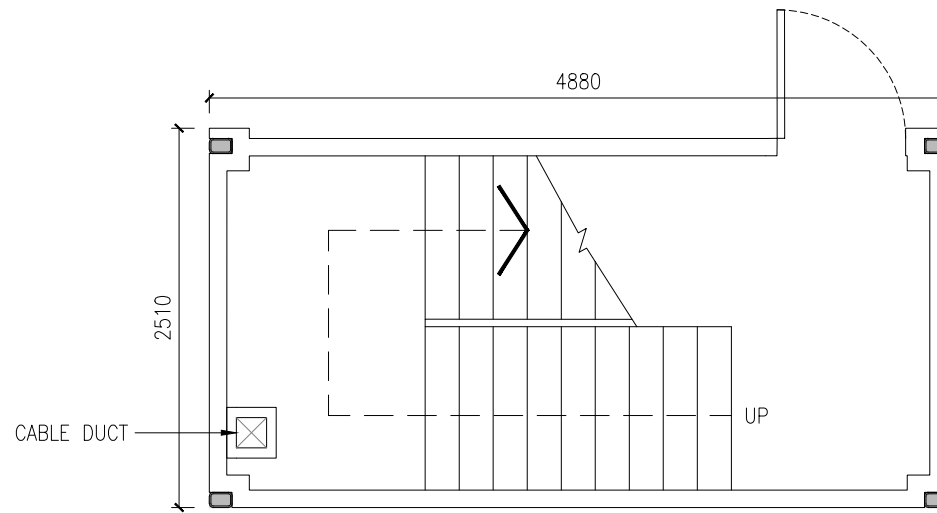
MODULE TYPE MA1 FLOOR PLAN



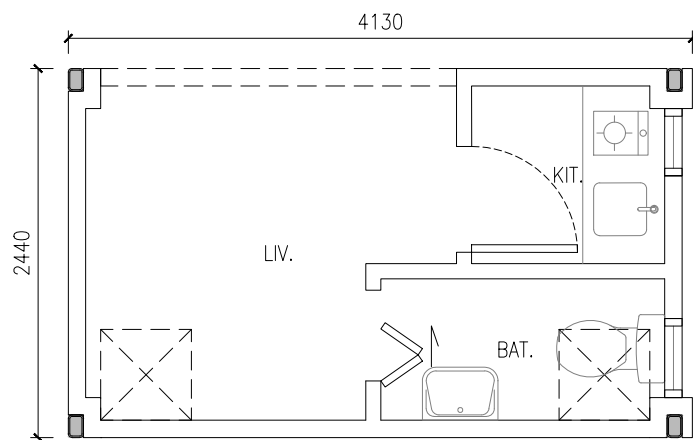
MODULE TYPE MB1 FLOOR PLAN



MODULE TYPE MA2 FLOOR PLAN

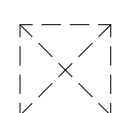


MODULE TYPE MC1 FLOOR PLAN



MODULE TYPE MB2 FLOOR PLAN

LEGEND



600 x 600 mm MAINTENANCE HATCH AT HIGH LEVEL

NOTES

REVISIONS

INITIAL AND DESIGNATION

NO.	DESCRIPTION AND DATE	DWN	CHKD	AUTH
-	6/1/2022	SC	SC	EL

NAME AND DESIGNATION	INITIAL	DATE
AUTHORISED		
CHECKED		
DRAWN	SC	
ARCH. ASSISTANT		

CLIENT:



CONSULTING ARCHITECT:



REGISTERED STRUCTURAL ENGINEER:



CONTRACT NO.

FILE NO.

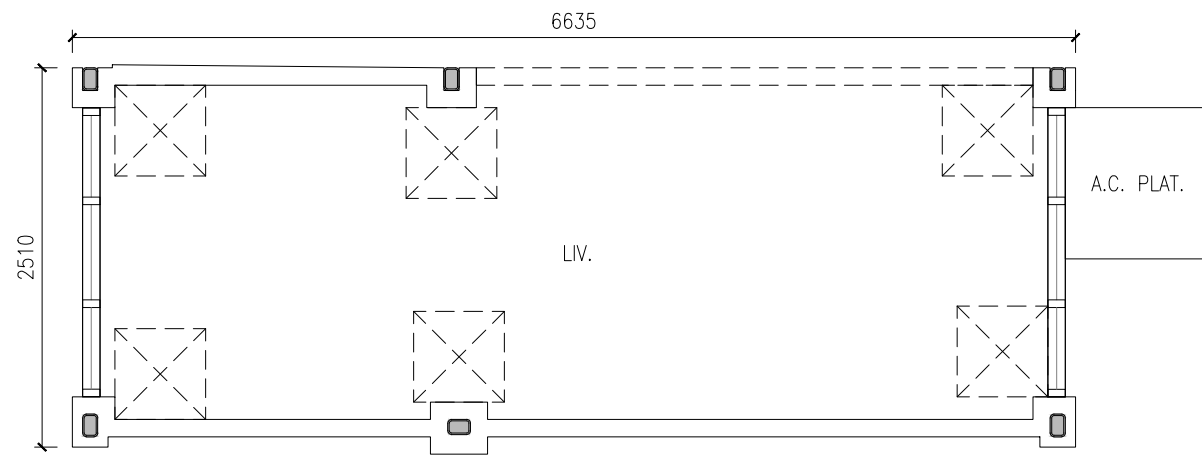
PROJECT NO. 19124

PROJECT PRE-ACCEPTANCE FOR MODERNA HOME MIC SYSTEM 2 MODEL NUMBER MCCCL-01

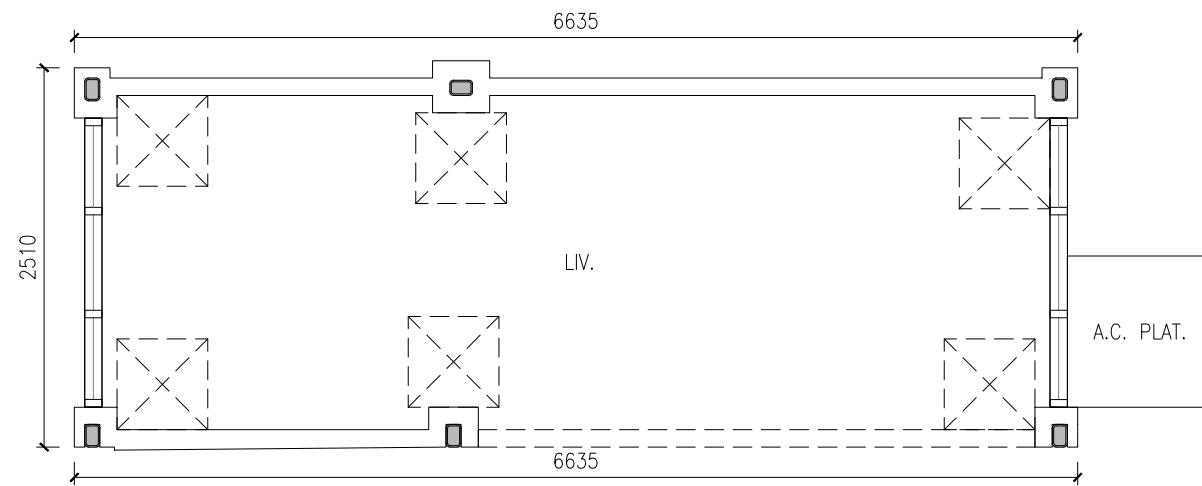
DRAWING TITLE TYPICAL MODULE PLANS

SCALE 1:50 PAPER SIZE A3

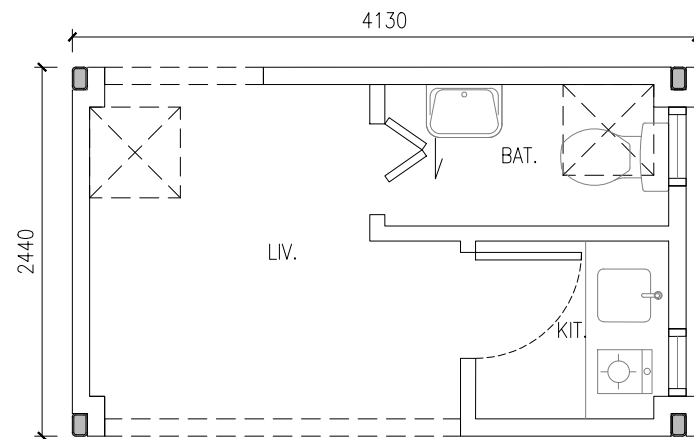
DRAWING NO. 02 REV. -



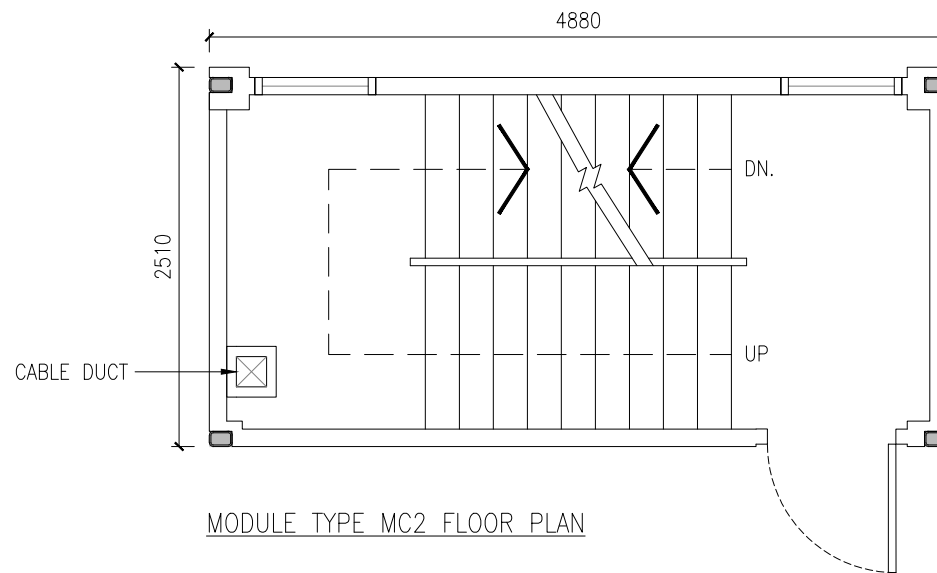
MODULE TYPE MA3 FLOOR PLAN



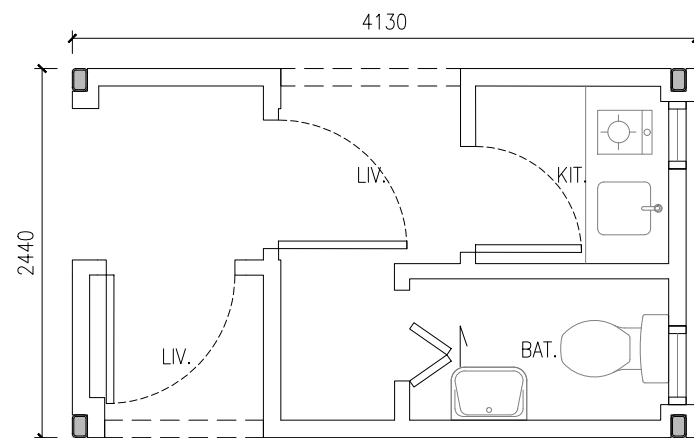
MODULE TYPE MB3 FLOOR PLAN



MODULE TYPE MA4 FLOOR PLAN



MODULE TYPE MC2 FLOOR PLAN



MODULE TYPE MB4 FLOOR PLAN

LEGEND



NOTES

REVISIONS

NO.	DESCRIPTION AND DATE	INITIAL	DATE
1	6/1/2022	SC	SC

NO.	DESCRIPTION AND DATE	INITIAL	DATE
1	6/1/2022	SC	SC

CLIENT:

MECHEUNG INNOVATIVE CONSTRUCTION (MIC) LTD.
 UNIT G, 19/F, SEABRIGHT PLAZA,
 9-23 SHELL STREET,
 NORTH POINT,
 HONG KONG
 Tel: (852) 2872 4215
 Fax: (852) 2884 5823

CONSULTING ARCHITECT:

APL Architects & Consultants Ltd.
 ADDRESS: UNIT A2, 5/F, OFFICE PLUS @ MONG KOK
 998 CANTON ROAD, MONG KOK, HONG KONG
 TEL: 2152 9982
 FAX: 3020 4620

REGISTERED STRUCTURAL ENGINEER:

Befrank Engineering Consultant Ltd.
 ADDRESS: UNIT 501, 5/F, KAM ON BUILDING,
 178 A-F QUEEN'S ROAD CENTRAL, CENTRAL, H.K.
 TEL. NO.: 2110 5023
 FAX. NO.: 3007 3140
 EMAIL: info@befrank.com.hk

CONTRACT NO.:

FILE NO.:

PROJECT NO. 19124

PROJECT

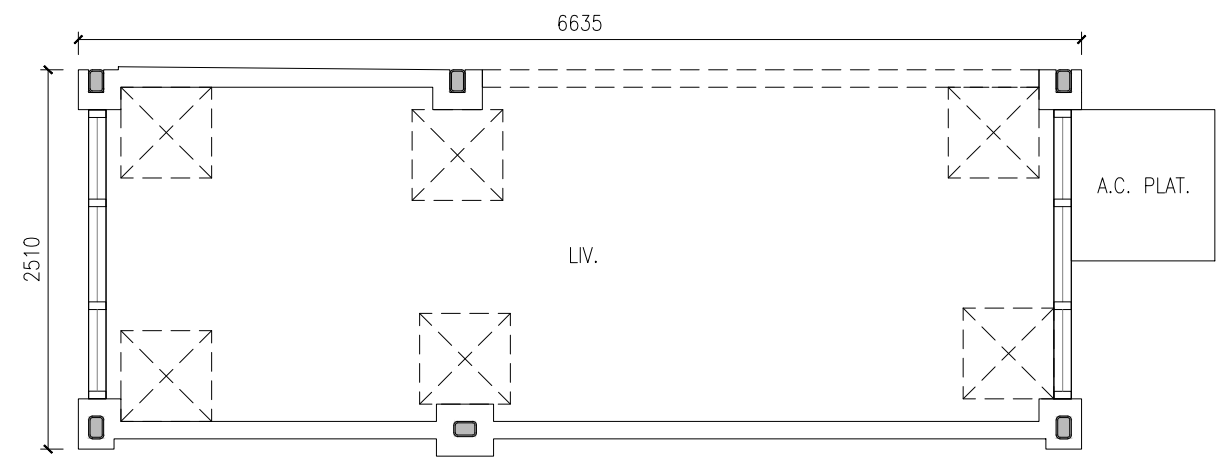
PRE-ACCEPTANCE FOR MODERNA HOME MIC SYSTEM 2
 MODEL NUMBER MCCCL-01

DRAWING TITLE

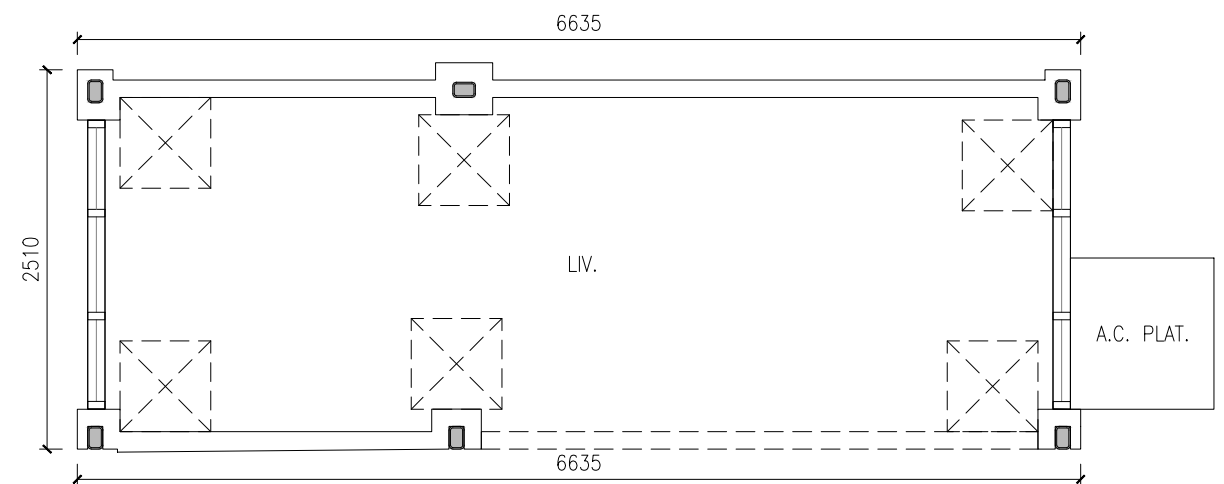
TYPICAL MODULE PLANS

SCALE 1:50 PAPER SIZE A3

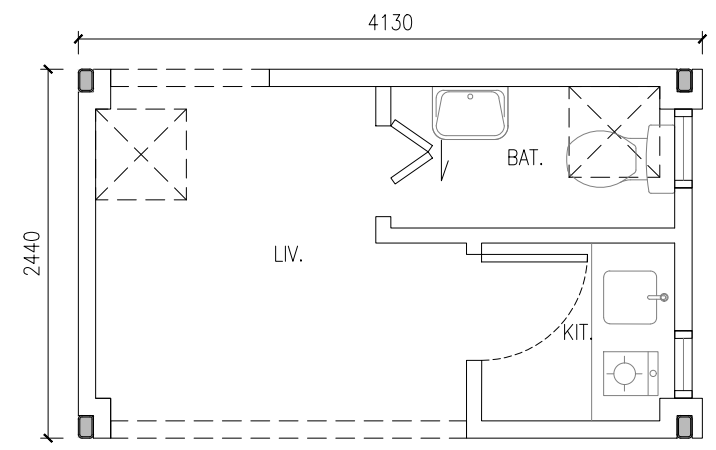
DRAWING NO. 03 REV. -



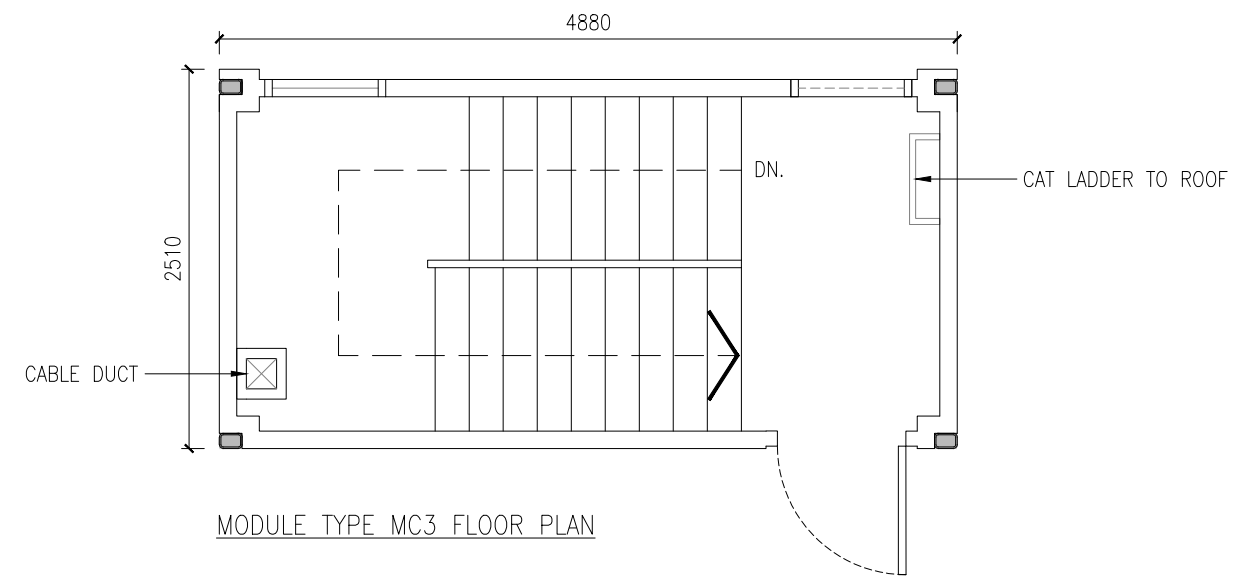
MODULE TYPE MA5 FLOOR PLAN



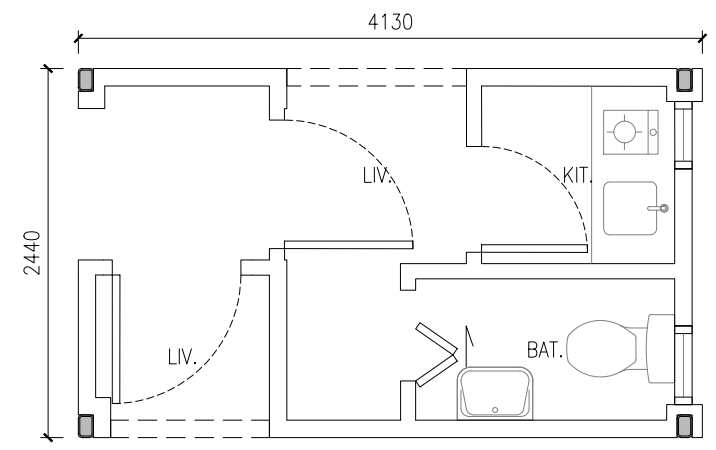
MODULE TYPE MB5 FLOOR PLAN



MODULE TYPE MA6 FLOOR PLAN



MODULE TYPE MC3 FLOOR PLAN



MODULE TYPE MB6 FLOOR PLAN

LEGEND

	600 x 600 mm MAINTENANCE HATCH AT HIGH LEVEL
--	--