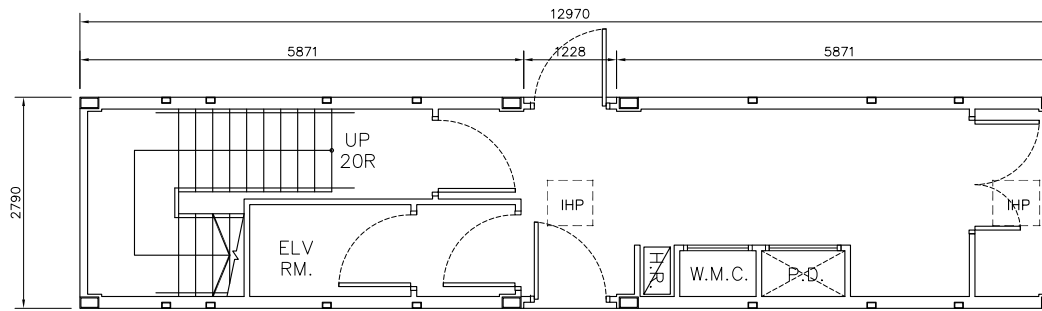
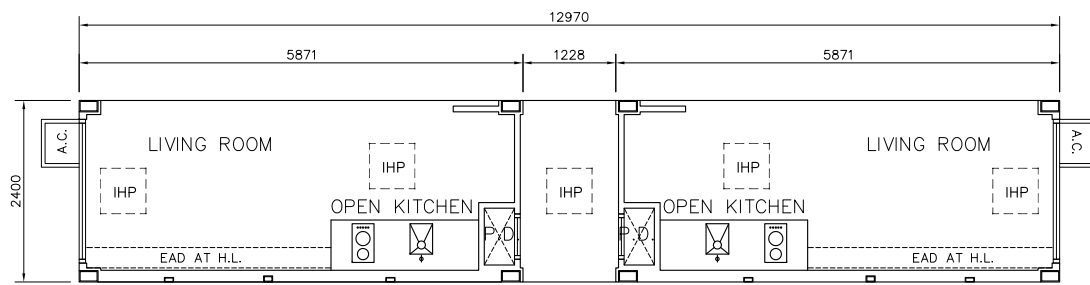


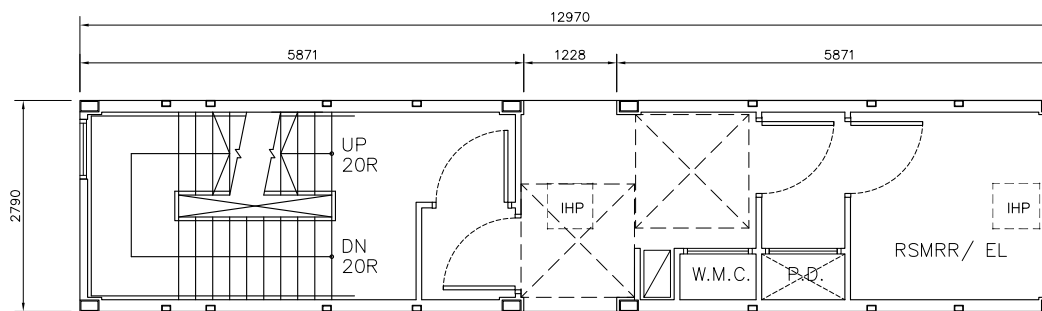
TYPICAL MODULE PLAN
MODULE NO. 1



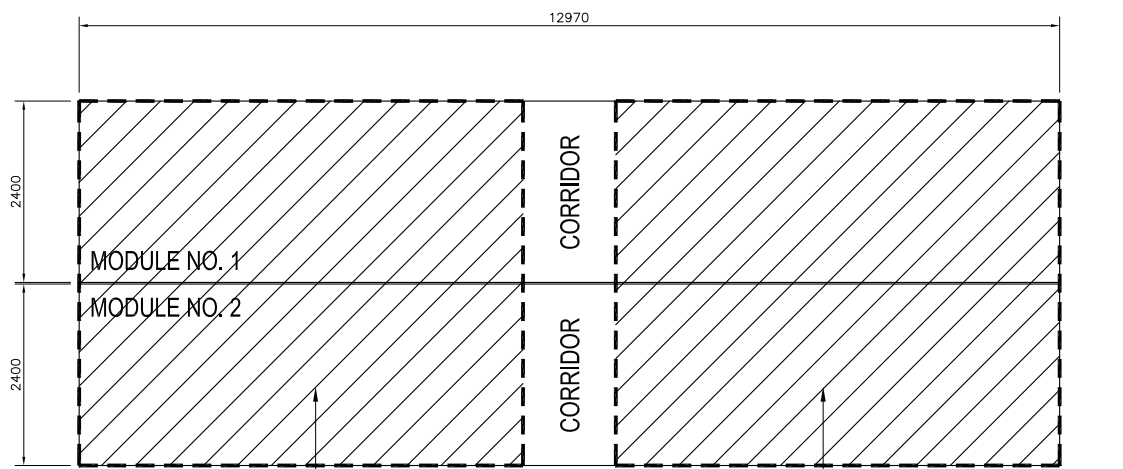
TYPICAL MODULE PLAN
MODULE NO. 3A



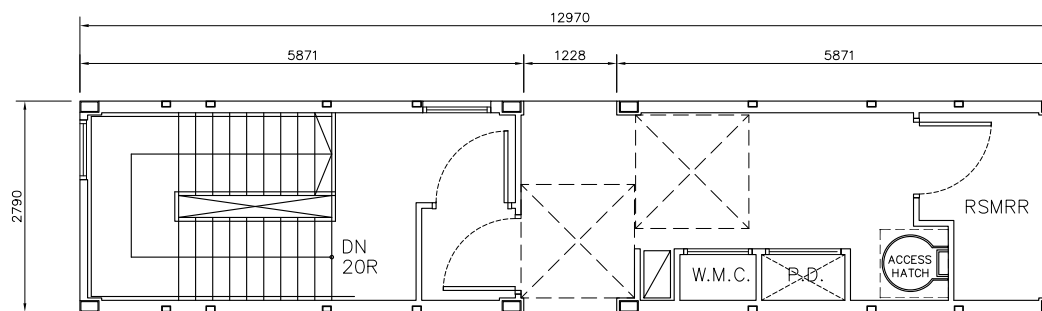
TYPICAL MODULE PLAN
MODULE NO. 2



TYPICAL MODULE PLAN
MODULE NO. 3B



KEY PLAN



TYPICAL MODULE PLAN
MODULE NO. 3C

B.D. REF.: BD/MIC/210803

F.S.D. REF.

- NOTES:
- DO NOT SCALE THIS DRAWING.
 - FIGURED DIMENSIONS ARE TO BE FOLLOWED.
 - READ THIS DRAWING IN CONJUNCTION WITH THE ARCHITECTS SPECIFICATION & CONDITION OF CONTRACT.
 - THIS DRAWING SHALL NOT BE USED FOR CONSTRUCTION PURPOSES UNLESS OTHERWISE CERTIFIED.
 - THIS DRAWING AND DESIGN ARE COPYRIGHT AND NO PORTION MAY BE REPRODUCED WITHOUT THE WRITTEN PERMISSION OF THE ARCHITECTS.

REV.	DATE	DESCRIPTION
-	15-11-2022	SIMPLIFIED PLAN

MIC SUPPLIER

THE HONG KONG POLYTECHNIC UNIVERSITY
香港理工大學

國家鋼鐵工程技術研究中心香港分中心
Chinese National Engineering Research Centre
For Steel Construction (Hong Kong Branch)

ARCHITECT

AJR 近建築

RM 105, 1/F, ENTERPRISE BLDG, 228-238 QUEEN'S RD
E. HONGKONG, H. K. TEL: 3486 9978 F: 3611 6228

STRUCTURAL ENGINEER

Wilson & Associates Ltd
張耀新建築工程師有限公司

ROOM 1707, NEW TECH PLAZA, 34 TAI YAU STREET
TEL: 3619-0932 FAX: 3619-0931

BUILDING SERVICES ENGINEER

AP

YIU SHUK YIN
Authorized Person-Architect
(AP(1)107/17)

RSE

CHEUNG YIU SUN
Registered Structural Engineer
(RSE 38/06)

PROJECT:

MODULAR INTEGRATED CONSTRUCTION (MIC) SYSTEM FOR CHINESE NATIONAL ENGINEERING RESEARCH CENTRE FOR STEEL CONSTRUCTION (HONG KONG BRANCH)

DRAWING TITLE:

**SIMPLIFIED PLAN
MODULE NO. 1, 2, 3A, 3B, 3C**

DRAWN BY JF	SCALE 1:100@A3
CHECKED BY DT	DATE 15 NOV 2022
JOB No. P-135	DWG. NO. MIC-18
	REVISION -

BD'S OFFICIAL USE