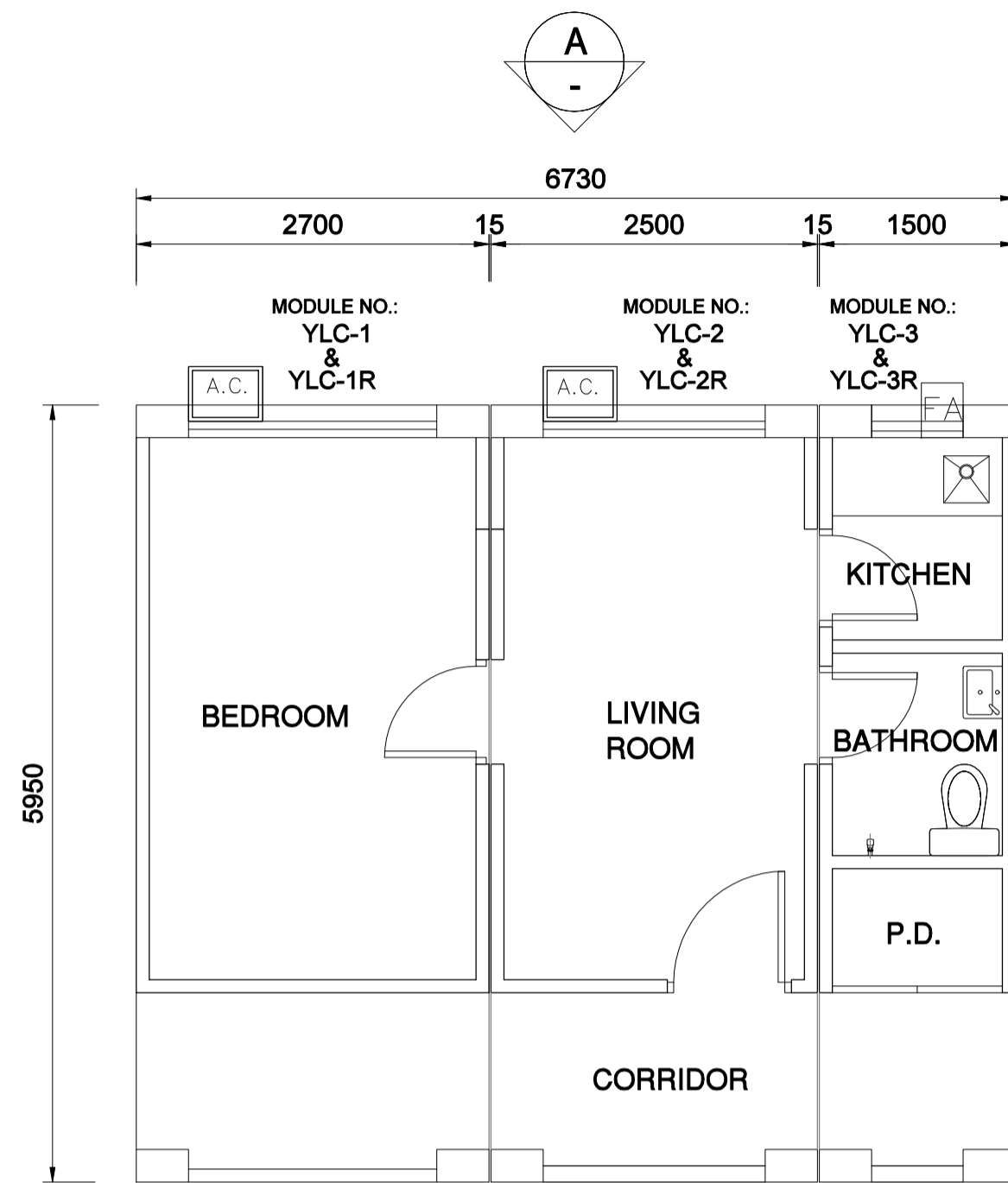
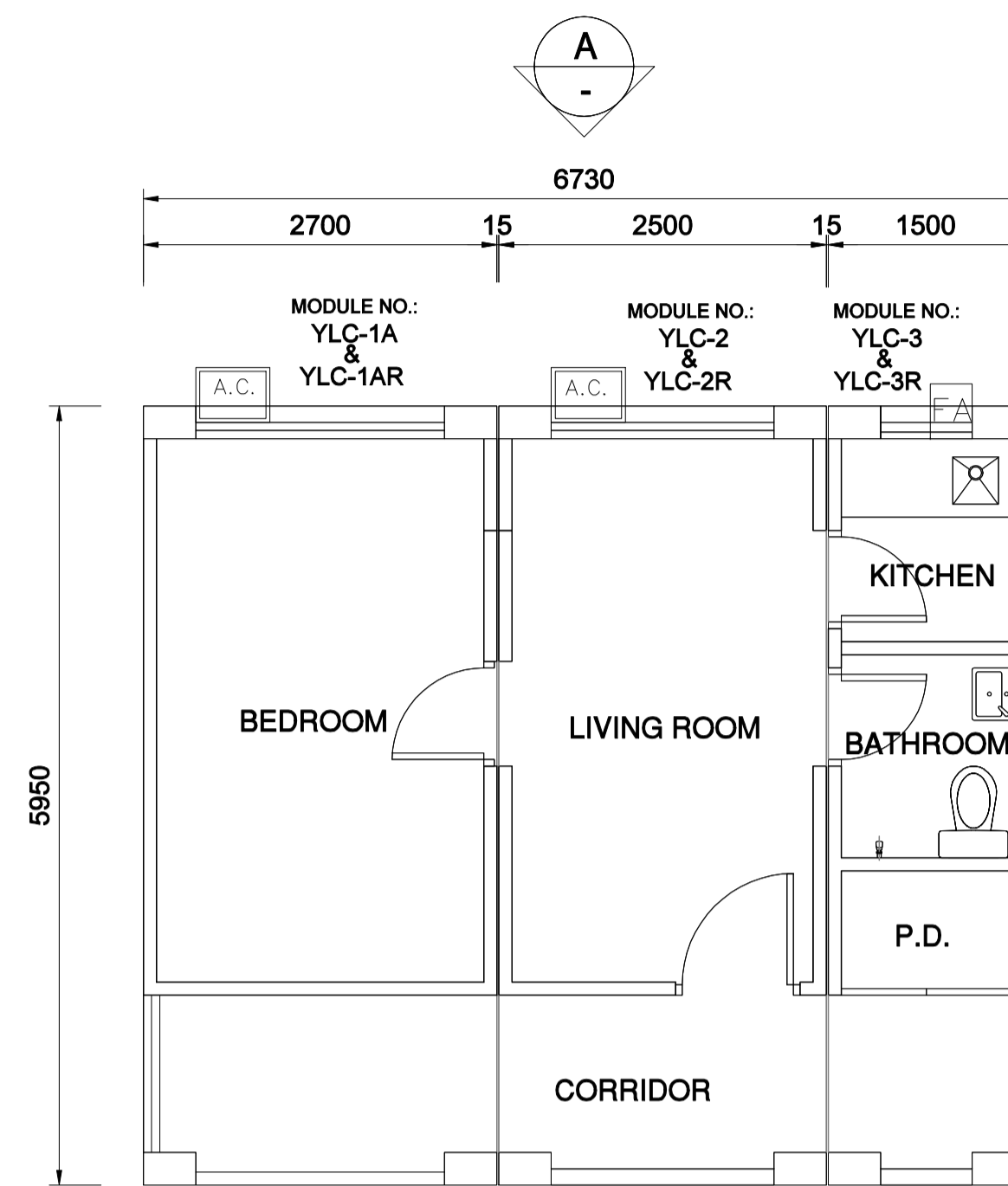


**LEGEND:**

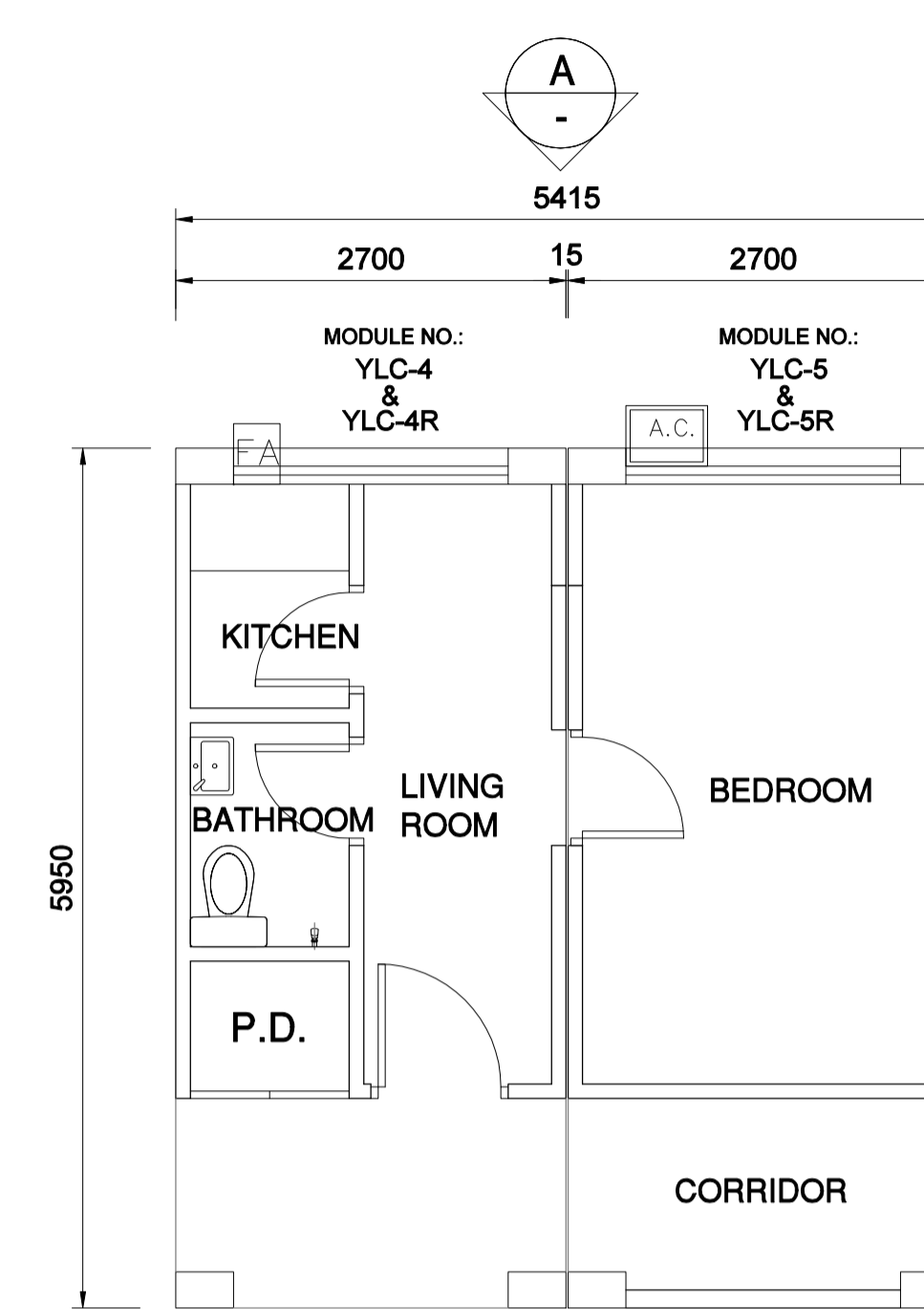
**IHP** INSPECTION HATCH PANEL



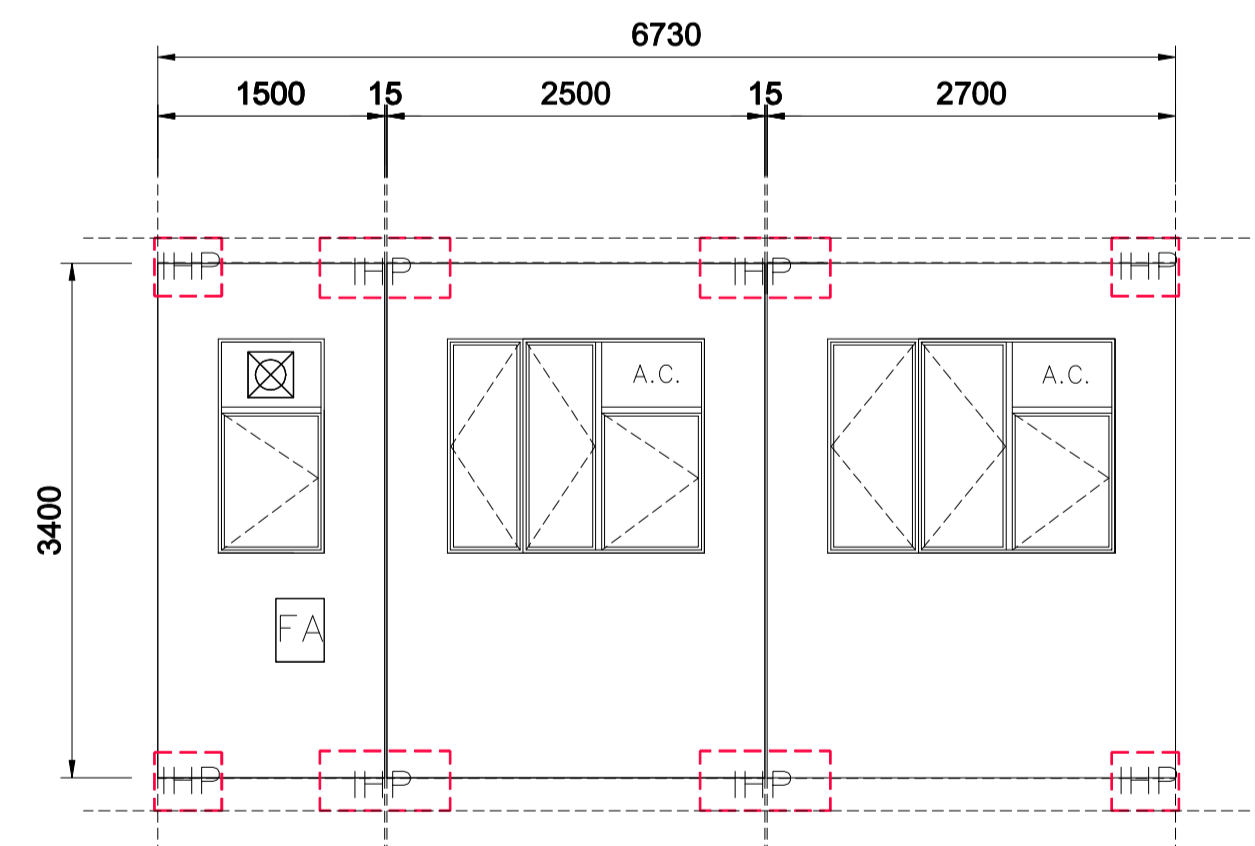
**TYPICAL MODULE PLAN**  
( Module No. YLC-1, YLC-2, YLC-3, YLC-1R, YLC-2R & YLC-3R)



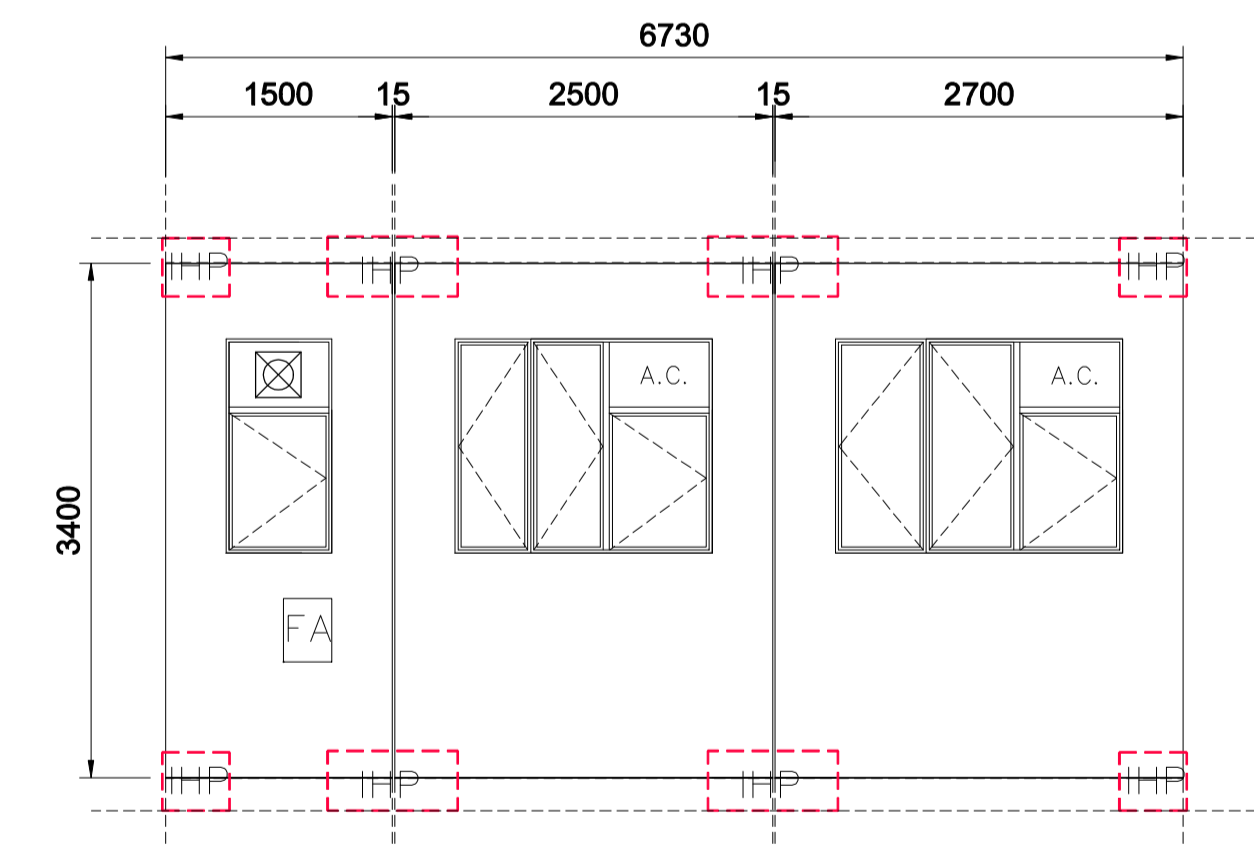
**TYPICAL MODULE PLAN**  
( Module No. YLC-1A, YLC-2, YLC-3, YLC-1AR, YLC-2R & YLC-3R)



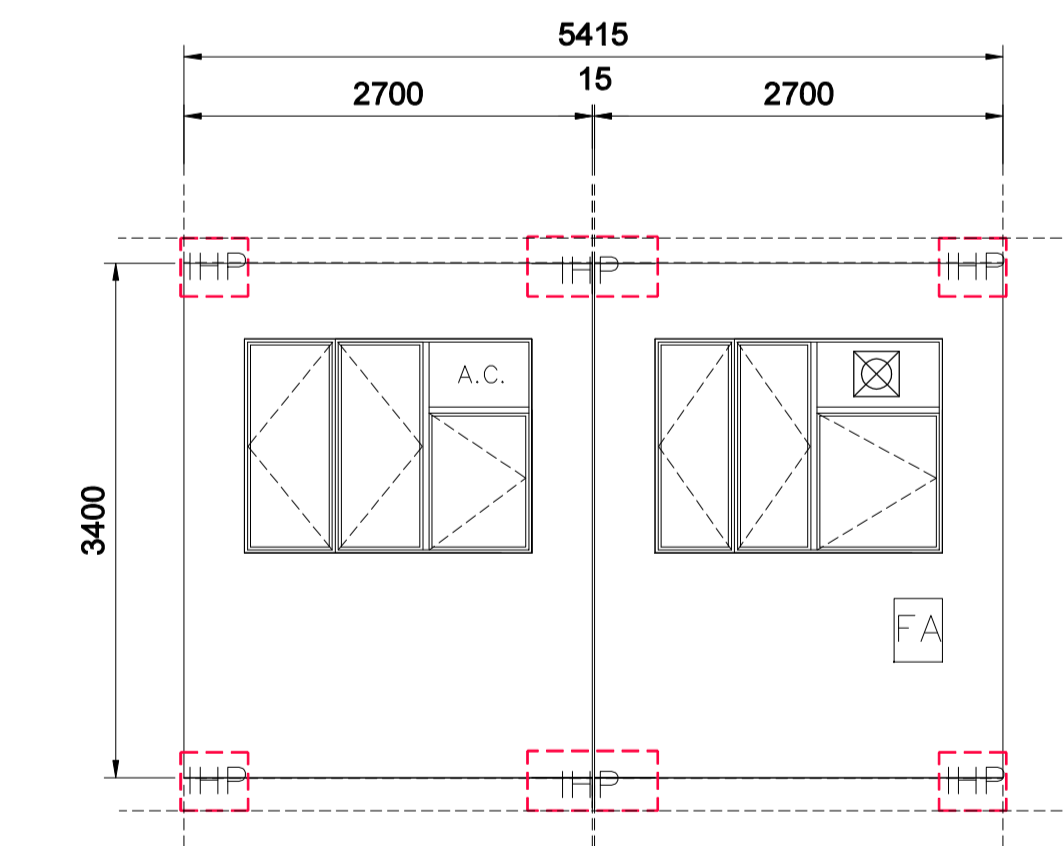
**TYPICAL MODULE PLAN**  
( Module No. YLC-4, YLC-4R, YLC-5 & YLC-5R)



**ELEVATION A**  
( Module No. YLC-1, YLC-2, YLC-3, YLC-1R, YLC-2R & YLC-3R)



**ELEVATION A**  
( Module No. YLC-1A, YLC-2, YLC-3, YLC-1AR, YLC-2R & YLC-3R)



**ELEVATION A**  
( Module No. YLC-4, YLC-4R, YLC-5 & YLC-5R)

B.D. REF: MIC/191001

F.S.D. REF:

- NOTES:
- DO NOT SCALE THIS DRAWING;
  - FIGURED DIMENSIONS ARE TO BE FOLLOWED;
  - READ THIS DRAWING IN CONJUNCTION WITH THE ARCHITECTS SPECIFICATION & CONDITION OF CONTRACT;
  - THIS DRAWING SHALL NOT BE USED FOR CONSTRUCTION PURPOSES UNLESS OTHERWISE CERTIFIED;
  - THIS DRAWING AND DESIGN ARE SUBJECT TO COPYRIGHT AND NO PORTION MAY BE REPRODUCED WITHOUT THE WRITTEN PERMISSION OF THE ARCHITECTS.

REV.	DATE	DESCRIPTION

**MIC SUPPLIER**  
**YAU LEE WAH CONCRETE PRECAST PRODUCTS COMPANY LIMITED**  
 10/F, TOWER 1, ENTERPRISE SQUARE,  
 9 SHEUNG YUET ROAD, KOWLOON BAY, HONG KONG  
 T +852 2753 4325  
 F +852 2753 4329  
 E ylwpcas@yaulee.com  
 www.yaulee.com

**Main Contractor:**  
  
**有利建築有限公司**  
**Yau Lee Construction Co., Ltd.**

**ARCHITECT**  
**OIYN LIMITED**  
 FOR ARCHITECTS & ASSOCIATES  
 5/F, BLOCK A, CHEUNG FAT FACTORY BUILDING, NO.263-271 UN CHAU STREET, KLN  
 TEL:3489-1990 FAX:3020-9409

**STRUCTURAL ENGINEER**  
**JACOBS**  
 BUILDING SERVICES ENGINEER

**AP**  
 FUNG BRIAN PAK YAN  
 Authorized Person

**RSE**

**PROJECT:**  
**MODULAR INTEGRATED CONSTRUCTION (MIC) SYSTEM:**  
**YAU LEE WAH DEMOUNTABLE CONCRETE MIC FOR LOW RISE BUILDING (MODEL NO. CONCRETE MIC 2.0 - DEMOUNTABLE)**

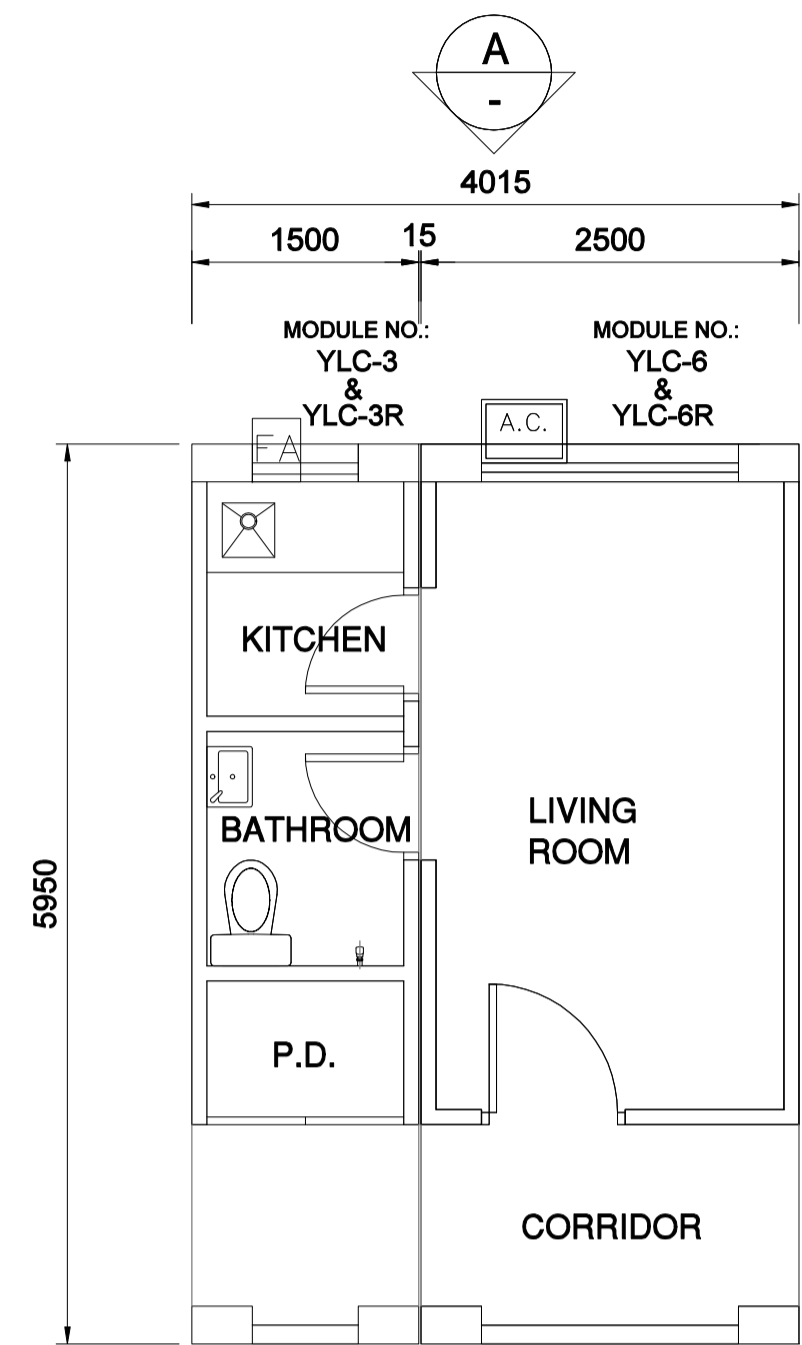
**DRAWING TITLE:**

<b>DRAWN BY</b> KP	<b>SCALE</b> 1:50 (A1)
<b>CHECKED BY</b> BF	<b>DATE</b>
<b>JOB No.</b> A-1909	<b>DWG.NO.</b> WP-01
<b>REVISION</b>	

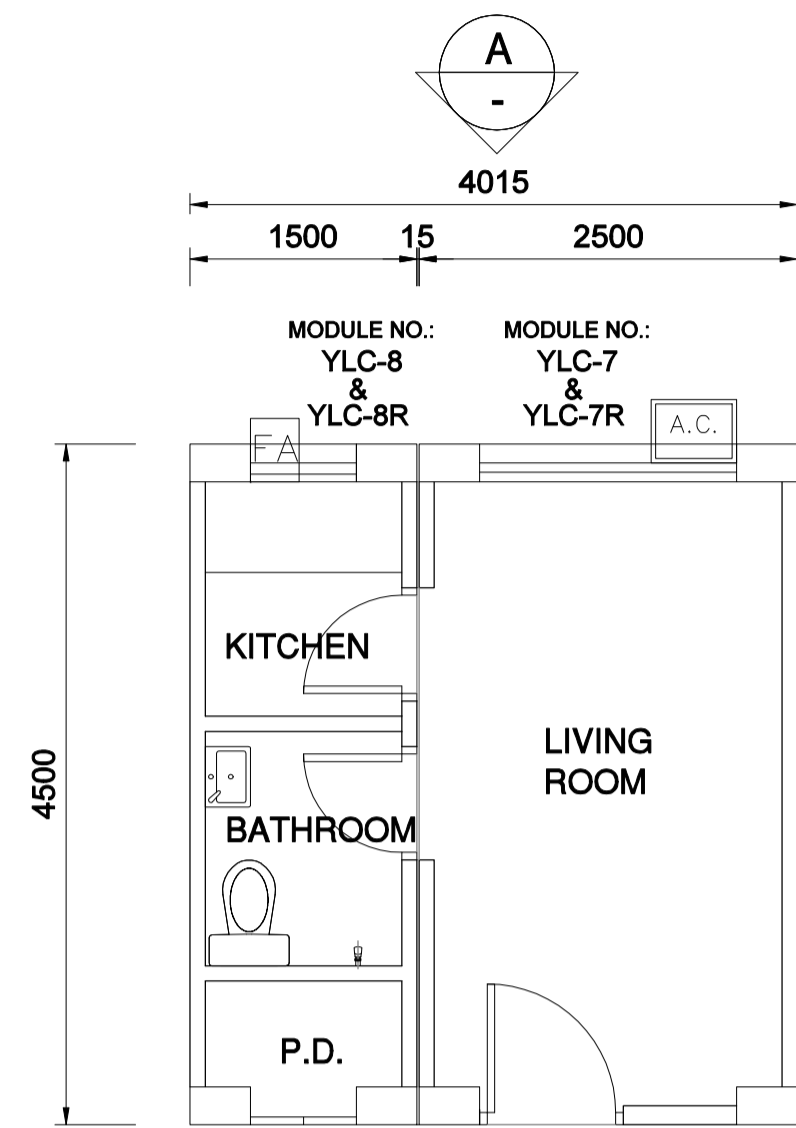
**BDS OFFICIAL USE**

**LEGEND:**

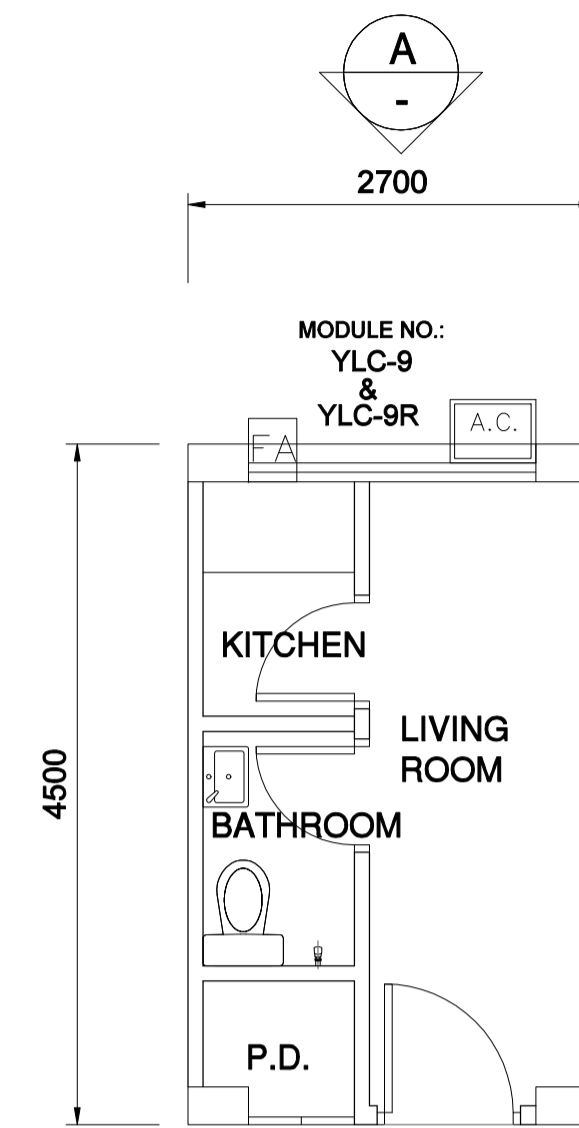
**IHP** INSPECTION HATCH PANEL



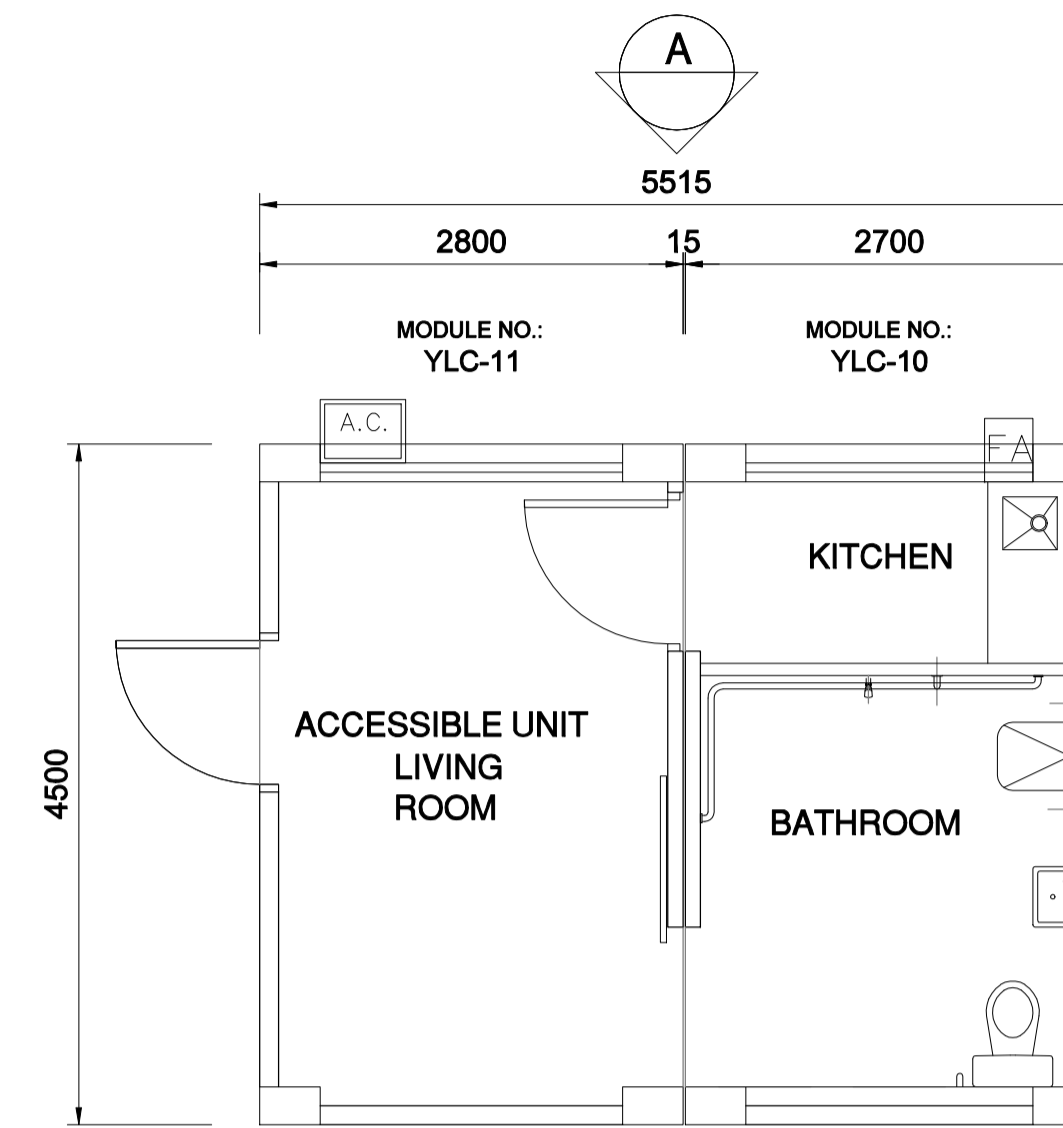
TYPICAL MODULE PLAN  
( Module No. YLC-3, YLC-3R, YLC-6 & YLC-6R)



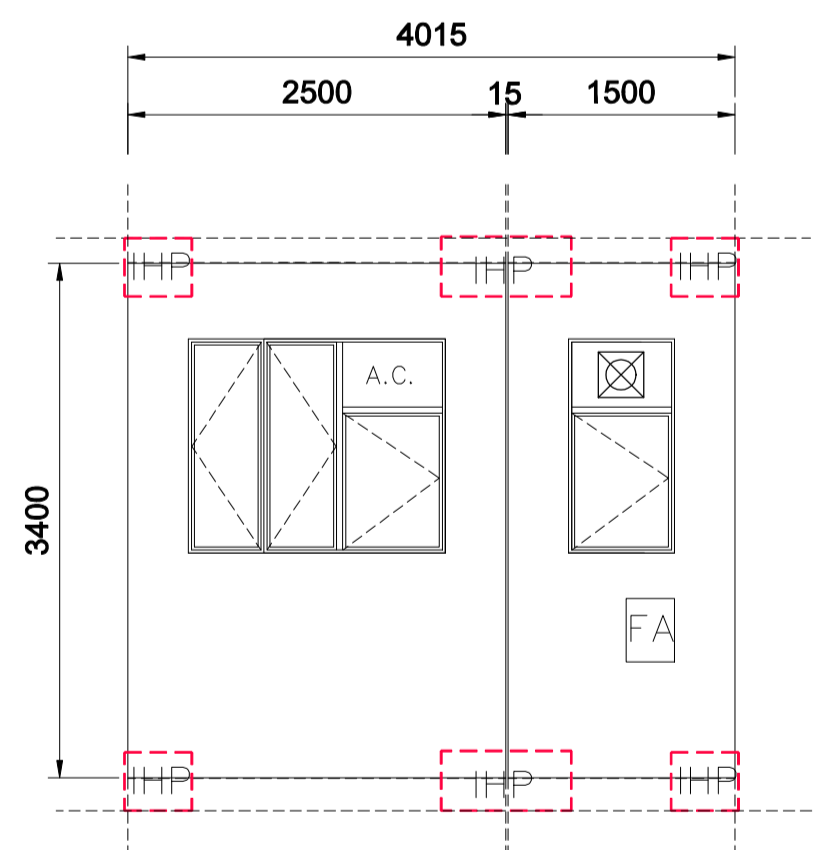
TYPICAL MODULE PLAN  
( Module No. YLC-8, YLC-8R, YLC-7 & YLC-7R)



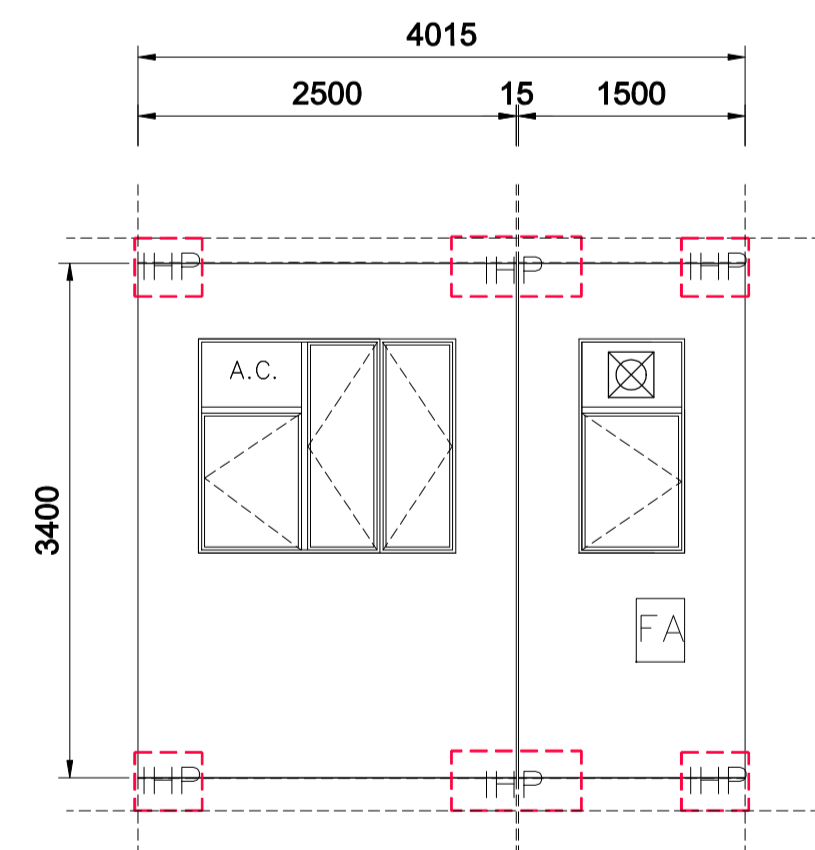
TYPICAL MODULE PLAN  
( Module No. YLC-9 & YLC-9R)



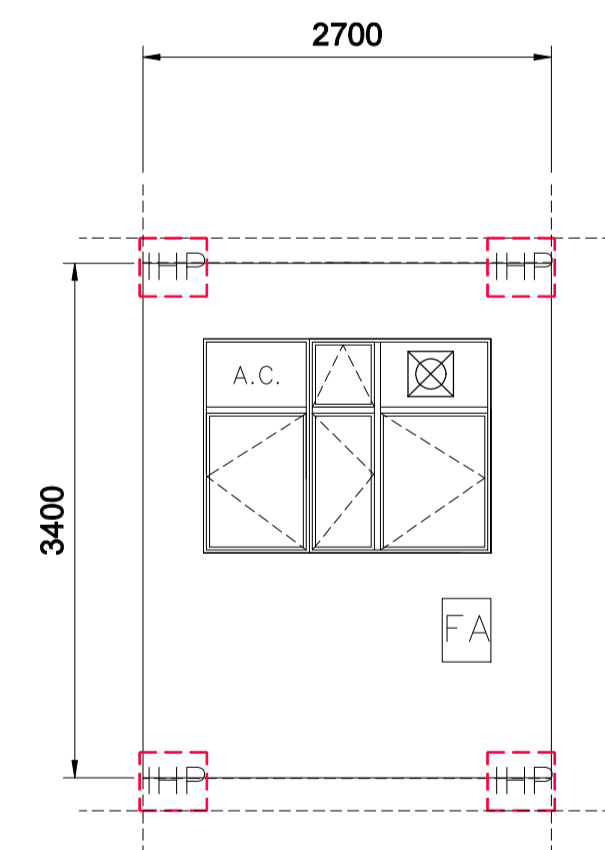
TYPICAL MODULE PLAN  
( Module No. YLC-11 & YLC-10)



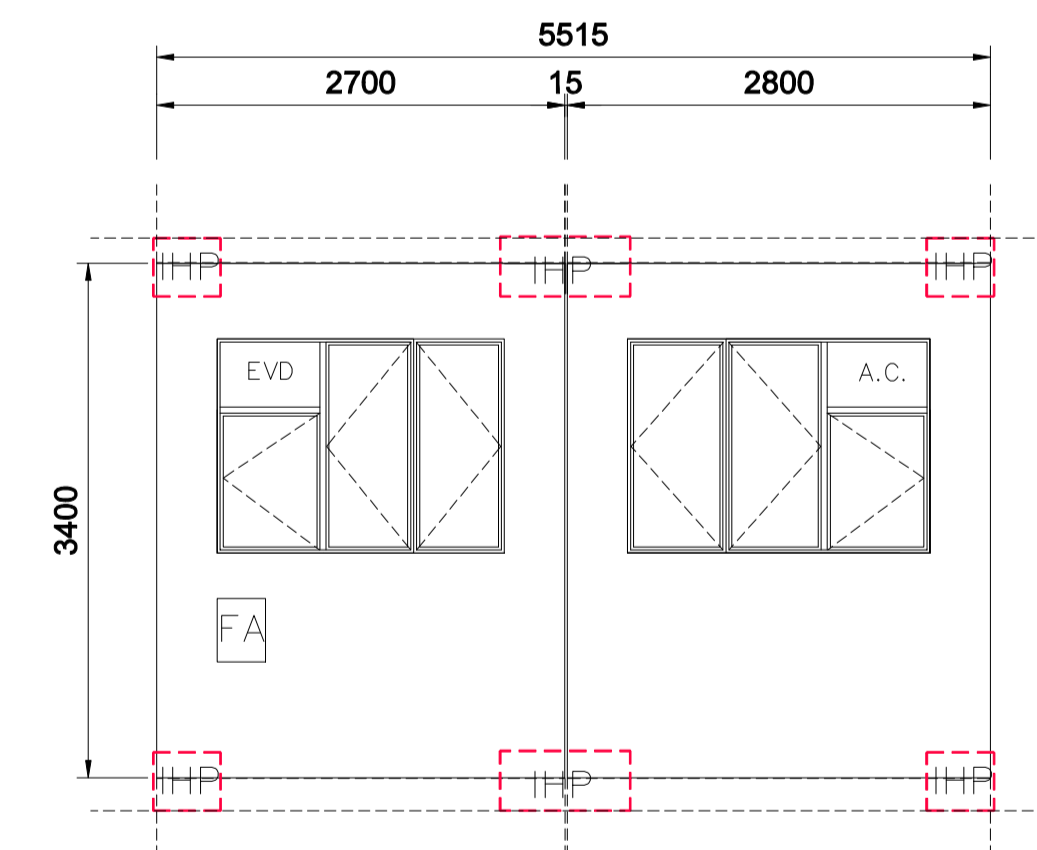
ELEVATION A  
( Module No. YLC-3, YLC-3R, YLC-6 & YLC-6R)



ELEVATION A  
( Module No. YLC-8, YLC-8R, YLC-7 & YLC-7R)



ELEVATION A  
( Module No. YLC-9 & YLC-9R)



ELEVATION A  
( Module No. YLC-11 & YLC-10)

B.D. REF: MIC/191001

F.S.D. REF:

- NOTES:
- DO NOT SCALE THIS DRAWING;
  - FIGURED DIMENSIONS ARE TO BE FOLLOWED;
  - READ THIS DRAWING IN CONJUNCTION WITH THE ARCHITECTS SPECIFICATION & CONDITION OF CONTRACT;
  - THIS DRAWING SHALL NOT BE USED FOR CONSTRUCTION PURPOSES UNLESS OTHERWISE CERTIFIED;
  - THIS DRAWING AND DESIGN ARE SUBJECT TO COPYRIGHT AND NO PORTION MAY BE REPRODUCED WITHOUT THE WRITTEN PERMISSION OF THE ARCHITECTS.

REV.	DATE	DESCRIPTION

**MIC SUPPLIER**  
**YAU LEE WAH CONCRETE PRECAST PRODUCTS COMPANY LIMITED**  
 10/F, TOWER 1, ENTERPRISE SQUARE,  
 9 SHEUNG YUET ROAD, KOWLOON BAY, HONG KONG  
 T +852 2753 4325  
 F +852 2753 4329  
 E ylwpcas@yaulee.com  
 www.yaulee.com

**Main Contractor:**  
  
**有利建築有限公司**  
**Yau Lee Construction Co., Ltd.**

**ARCHITECT**  
**OIYN LIMITED**  
 FOR ARCHITECTS & ASSOCIATES  
3/F, BLOCK A, CHEUNG FAT FACTORY BUILDING, NO.263-271 UN CHAU STREET, KLN  
 TEL:3489-1990 FAX:3020-9409

**STRUCTURAL ENGINEER**  
**JACOBS**  
 BUILDING SERVICES ENGINEER

**AP**  
 FUNG BRIAN PAK YAN  
 Authorized Person

**PROJECT:**  
**MODULAR INTEGRATED CONSTRUCTION (MIC) SYSTEM:**  
**YAU LEE WAH DEMOUNTABLE CONCRETE MIC FOR LOW RISE BUILDING (MODEL NO. CONCRETE MIC 2.0 - DEMOUNTABLE)**

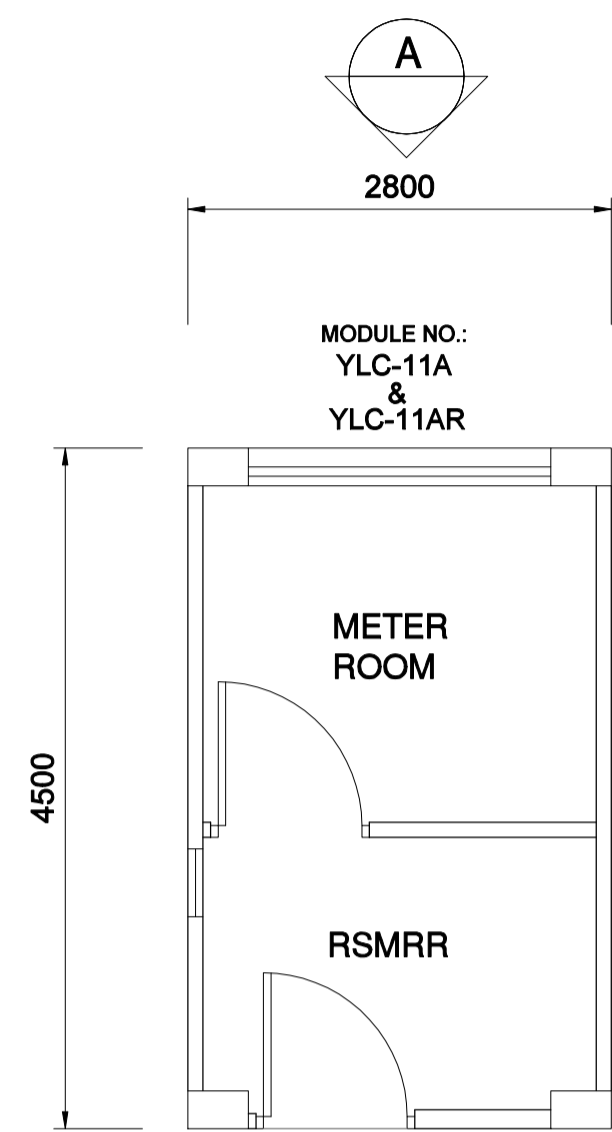
**DRAWING TITLE:**

<b>DRAWN BY</b> KP	<b>SCALE</b> 1:50 (A1)
<b>CHECKED BY</b> BF	<b>DATE</b>
<b>JOB No.</b> A-1909	<b>DWG.NO.</b> WP-02
	<b>REVISION</b>

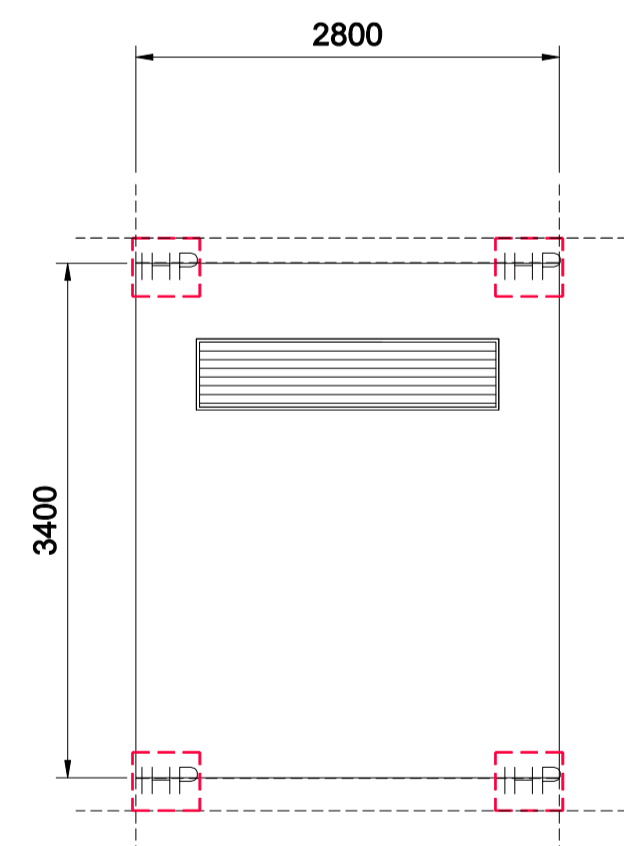
**BD'S OFFICAL USE**

**LEGEND:**

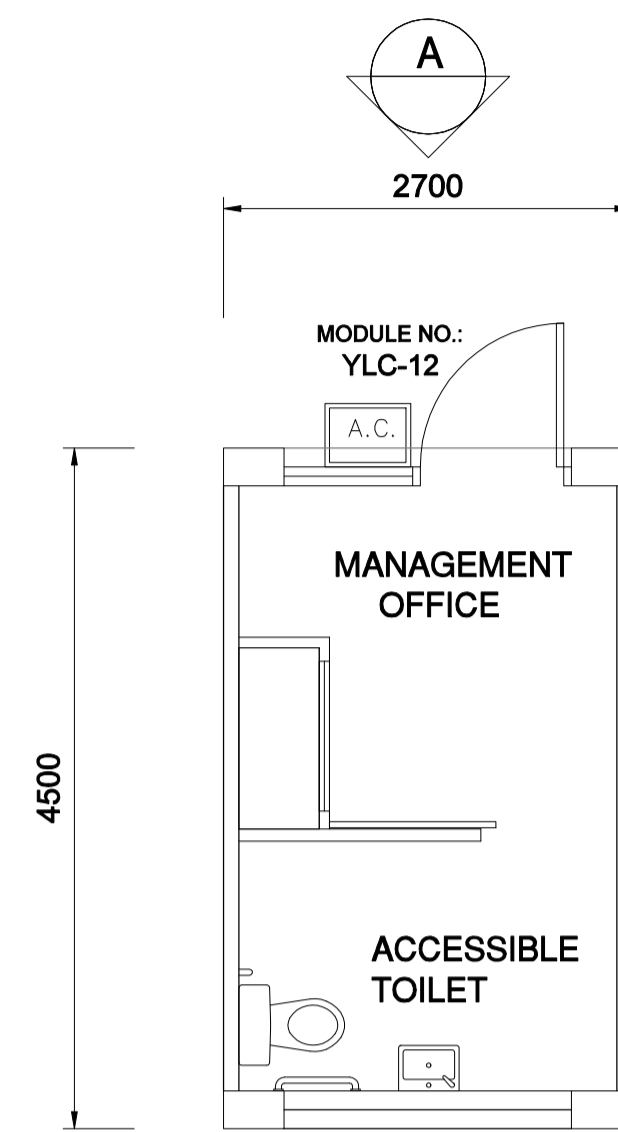
**IHP** INSPECTION HATCH PANEL



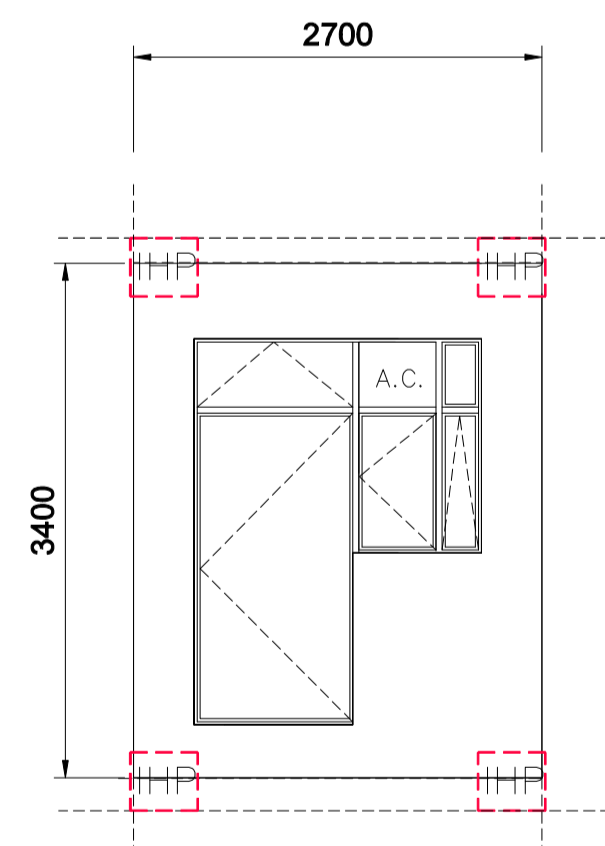
TYPICAL MODULE PLAN  
( Module No. YLC-11A & YLC-11AR)



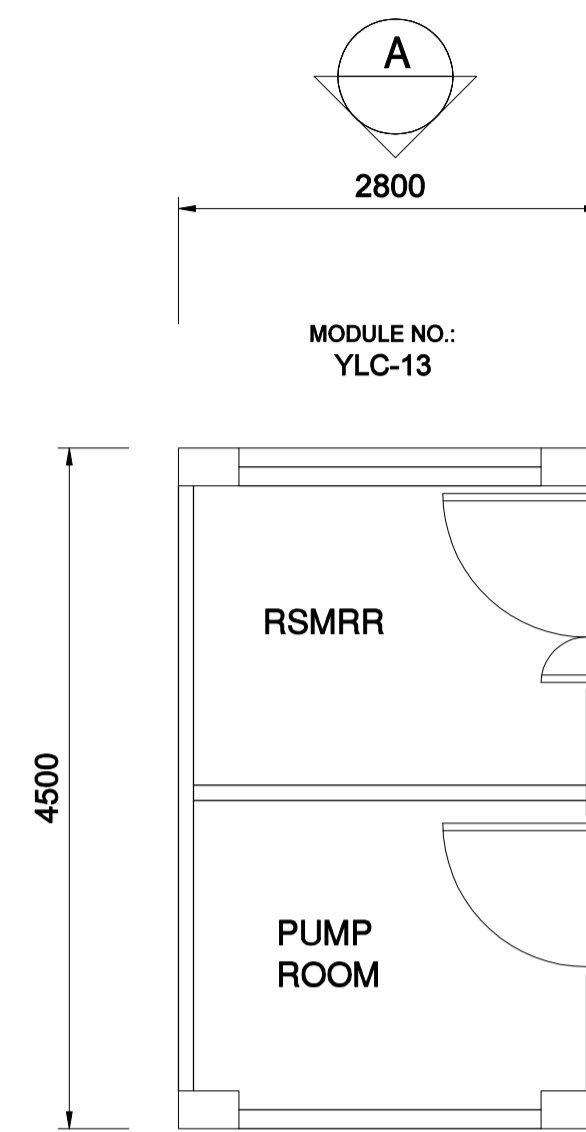
ELEVATION A  
( Module No. YLC-11A & YLC-11AR)



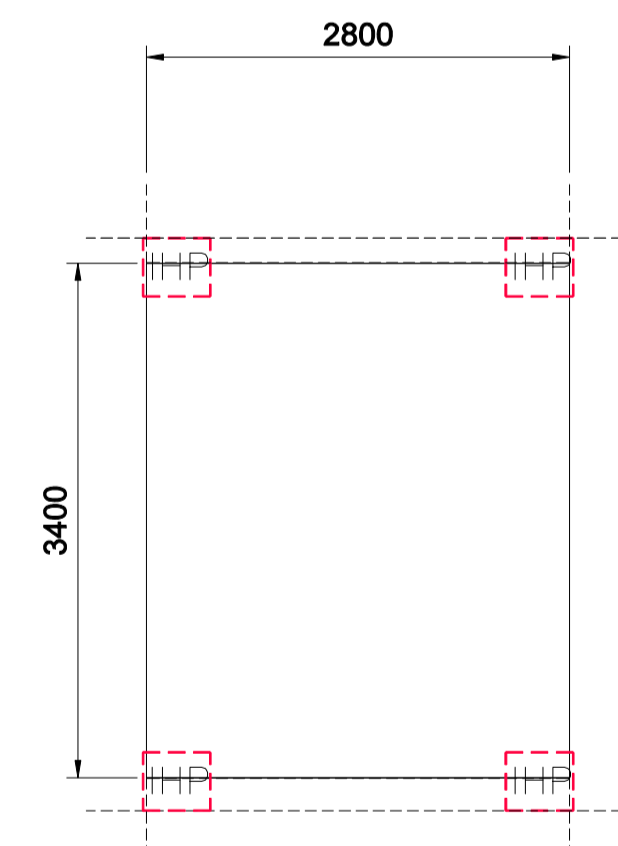
TYPICAL MODULE PLAN  
( Module No. YLC-12 )



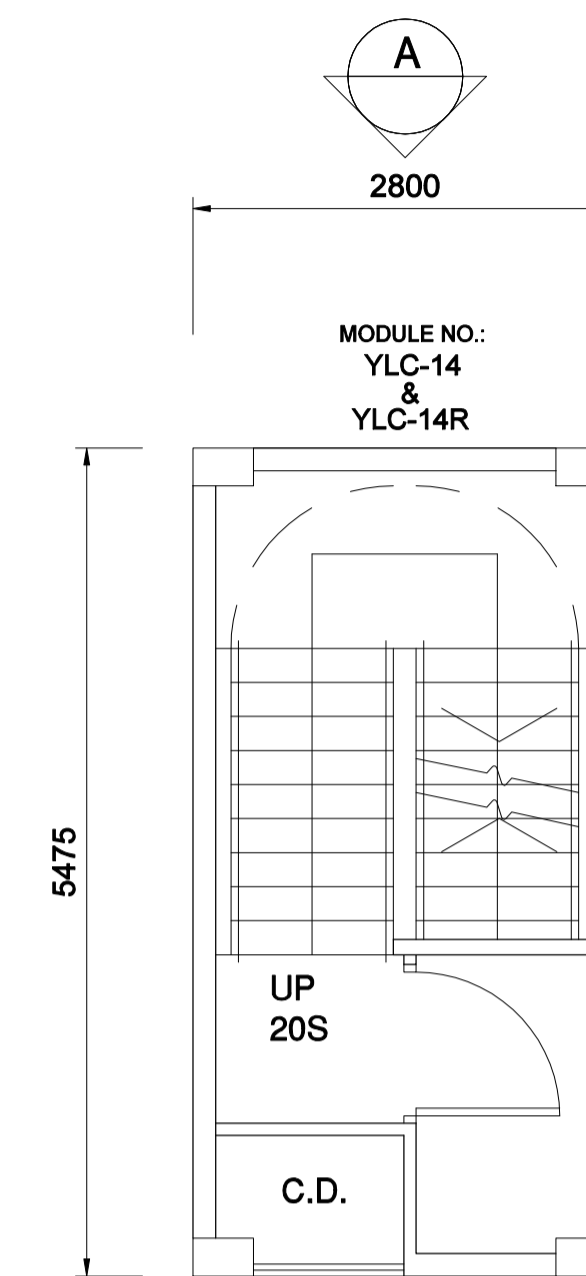
ELEVATION A  
( Module No. YLC-12 )



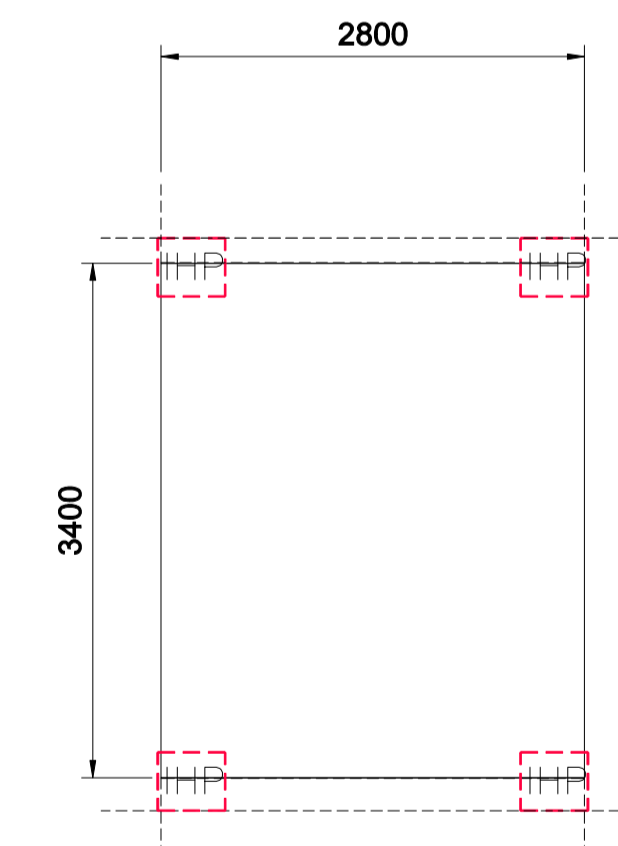
TYPICAL MODULE PLAN  
( Module No. YLC-13 )



ELEVATION A  
( Module No. YLC-13 )



TYPICAL MODULE PLAN  
( Module No. YLC-14 & 14R )



ELEVATION A  
( Module No. YLC-14 & 14R )

B.D. REF: MIC/191001  
F.S.D. REF:  
NOTES:  
1. DO NOT SCALE THIS DRAWING;  
2. FIGURED DIMENSIONS ARE TO BE FOLLOWED;  
3. READ THIS DRAWING IN CONJUNCTION WITH THE ARCHITECTS SPECIFICATION & CONDITION OF CONTRACT;  
4. THIS DRAWING SHALL NOT BE USED FOR CONSTRUCTION PURPOSES UNLESS OTHERWISE CERTIFIED;  
5. THIS DRAWING AND DESIGN ARE SUBJECT TO COPYRIGHT AND NO PORTION MAY BE REPRODUCED WITHOUT THE WRITTEN PERMISSION OF THE ARCHITECTS.

REV.	DATE	DESCRIPTION

MIC SUPPLIER  
**YAU LEE WAH CONCRETE PRECAST PRODUCTS COMPANY LIMITED**  
10/F, TOWER 1, ENTERPRISE SQUARE,  
9 SHEUNG YUET ROAD, KOWLOON BAY, HONG KONG  
T +852 2753 4325  
F +852 2753 4329  
E ylpccas@yaulee.com  
www.yaulee.com

Main Contractor:  
**有利建築有限公司**  
Yau Lee Construction Co., Ltd.

ARCHITECT  
**OIYN LIMITED**  
FOR ARCHITECTS & ASSOCIATES  
2/F, BLOCK A, CHEUNG FAT FACTORY BUILDING, NO.263-271 UN CHAU STREET, KLN  
TEL:3489-1990 FAX:3020-9409

STRUCTURAL ENGINEER  
**JACOBS**  
BUILDING SERVICES ENGINEER

AP  
FUNG BRIAN PAK YAN  
Authorized Person

RSE

PROJECT:  
**MODULAR INTEGRATED CONSTRUCTION (MIC) SYSTEM:  
YAU LEE WAH DEMOUNTABLE CONCRETE MIC FOR LOW RISE BUILDING (MODEL NO. CONCRETE MIC 2.0 - DEMOUNTABLE)**

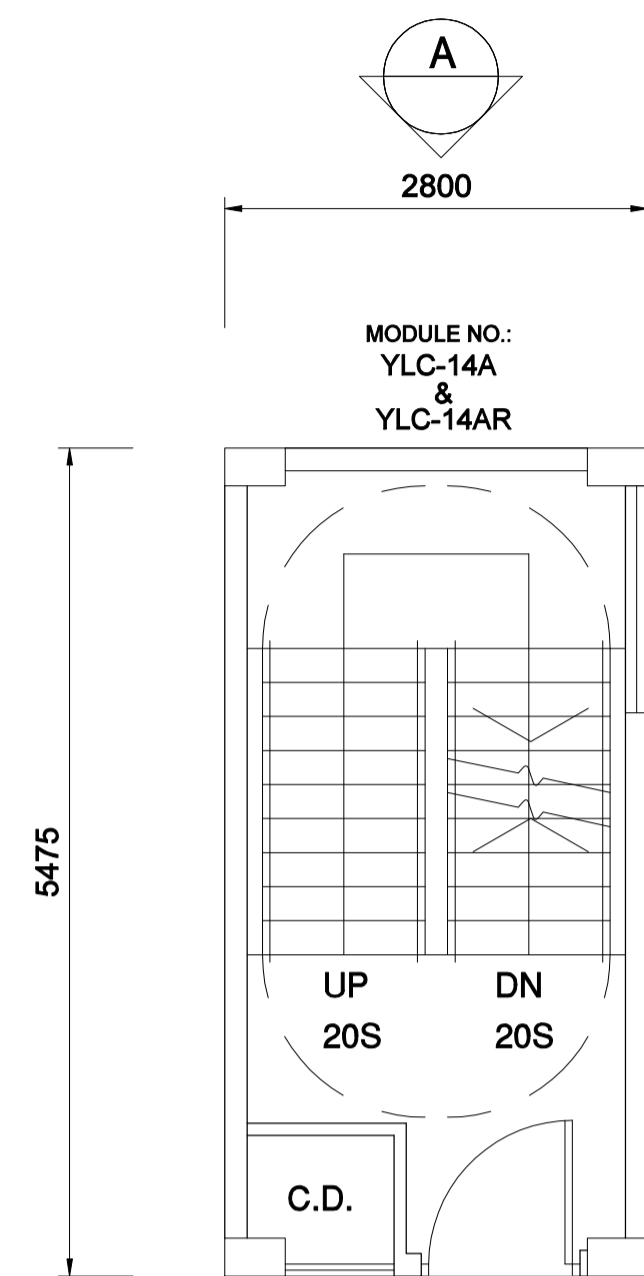
DRAWING TITLE:

DRAWN BY KP	SCALE 1:50 (A1)
CHECKED BY BF	DATE
JOB No. A-1909	DWG.NO. WP-03
	REVISION

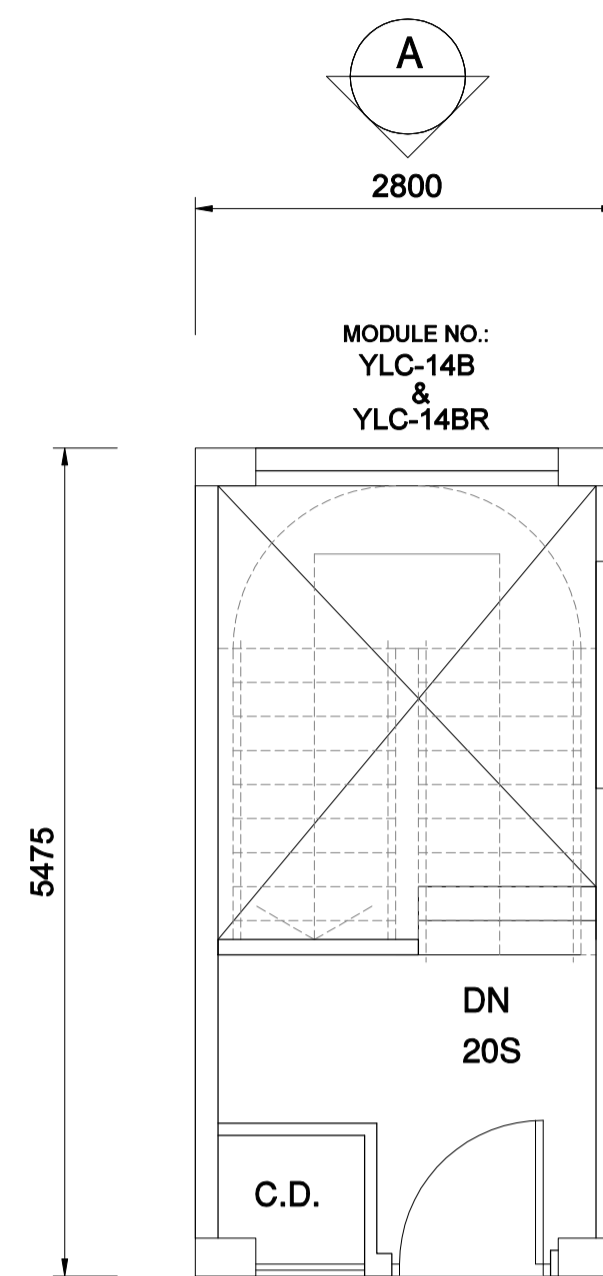
BD'S OFFICAL USE

**LEGEND:**

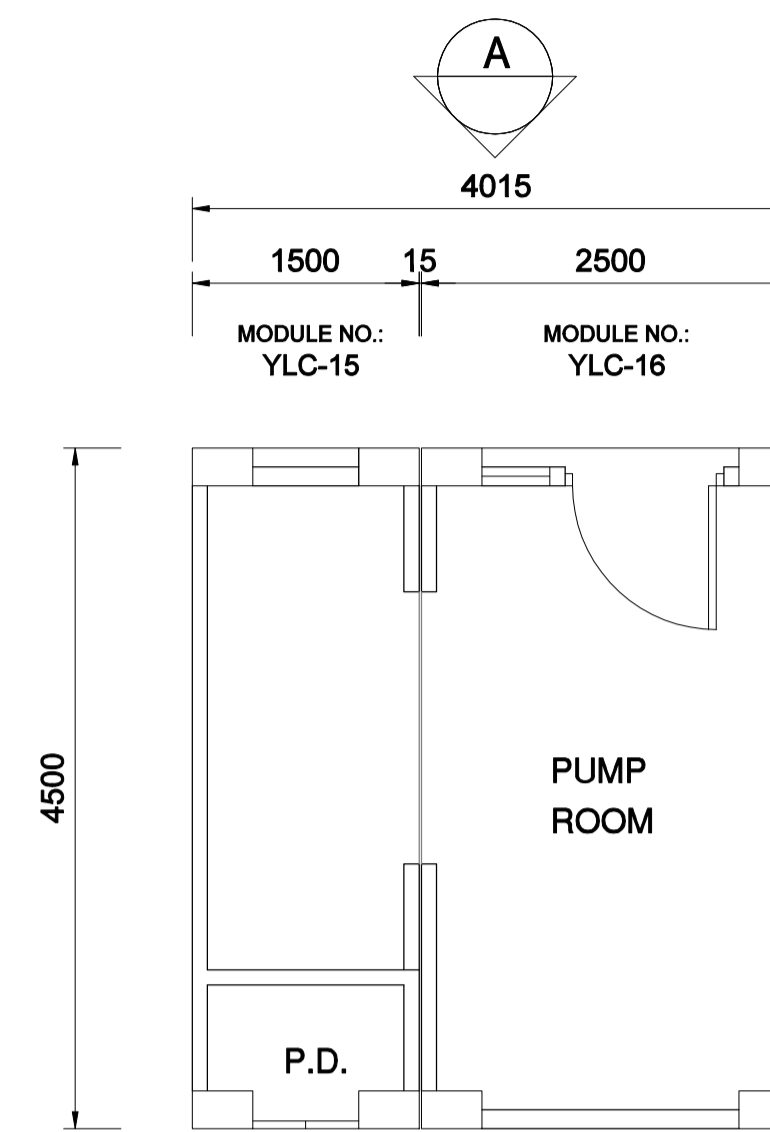
**IHP** INSPECTION HATCH PANEL



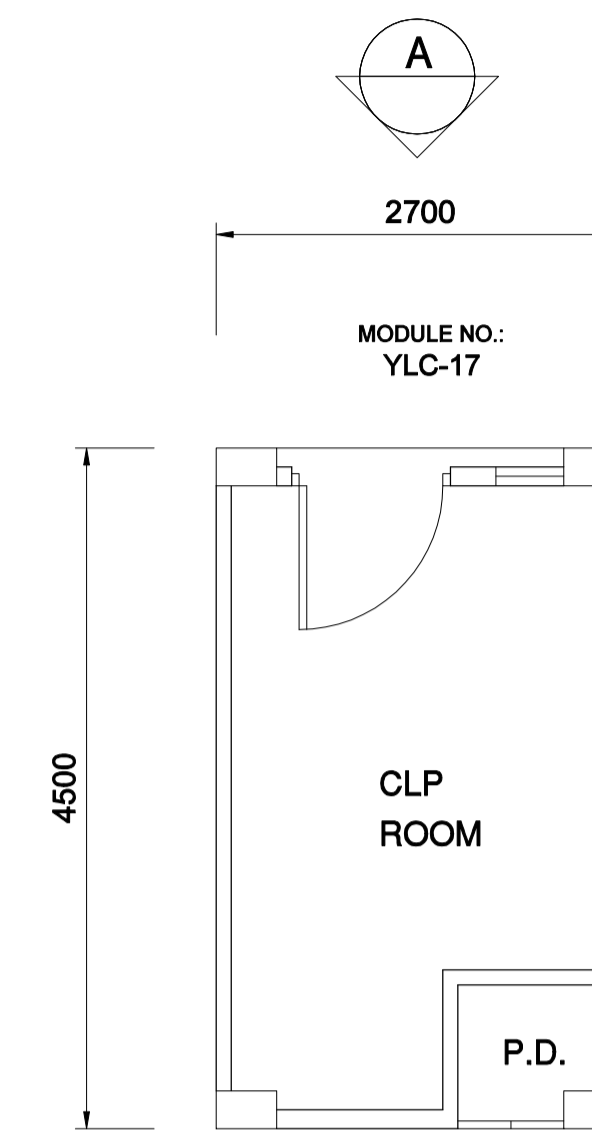
TYPICAL MODULE PLAN  
( Module No. YLC-14A & 14AR )



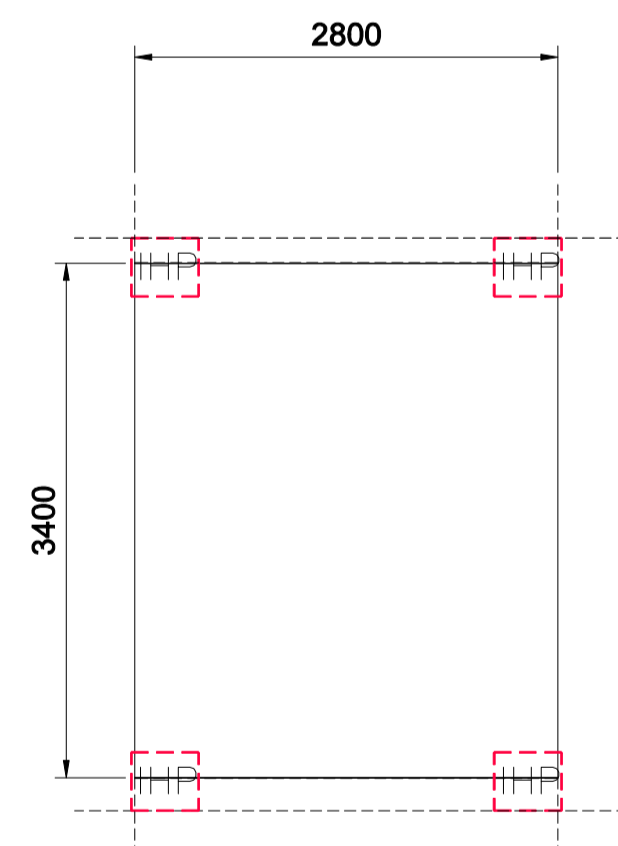
TYPICAL MODULE PLAN  
( Module No. YLC-14B & 14BR )



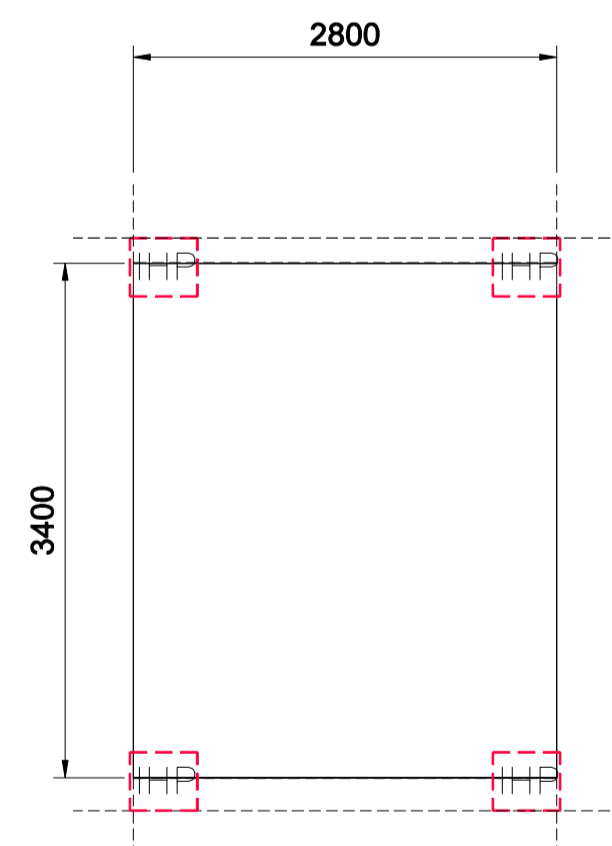
TYPICAL MODULE PLAN  
( Module No. YLC-15 & 16 )



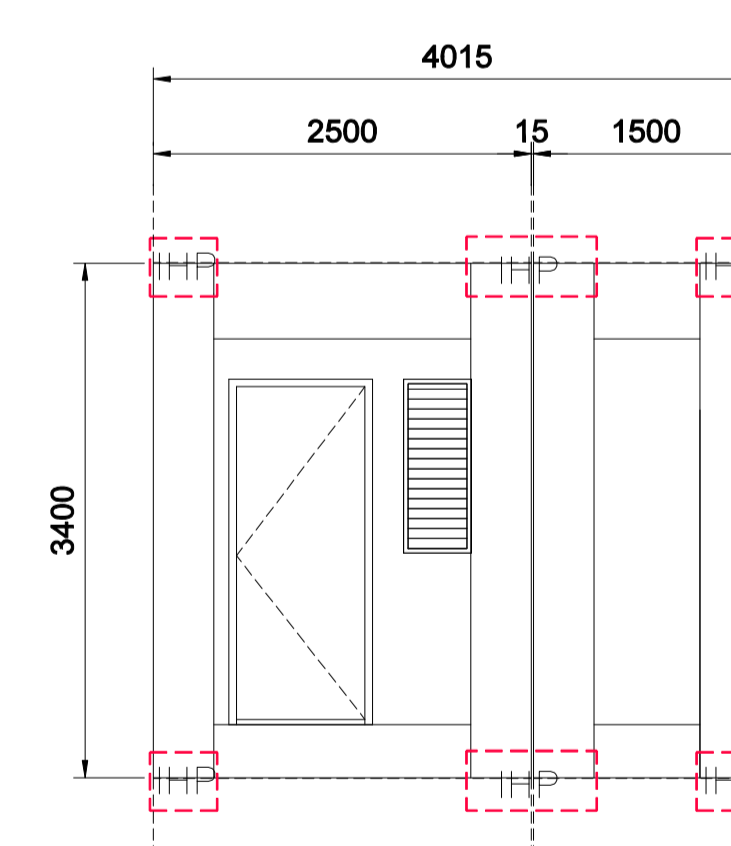
TYPICAL MODULE PLAN  
( Module No. YLC-17 )



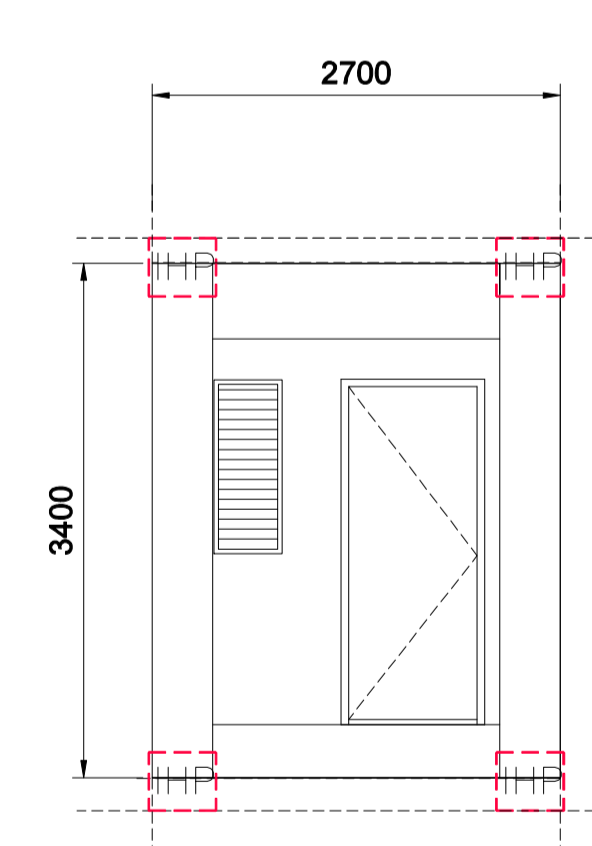
ELEVATION A  
( Module No. YLC-14A & 14AR )



ELEVATION A  
( Module No. YLC-14B & 14BR )



ELEVATION A  
( Module No. YLC-15 & 16 )



ELEVATION A  
( Module No. YLC-17 )

B.D. REF: MIC/191001

F.S.D. REF:

- NOTES:
- DO NOT SCALE THIS DRAWING;
  - FIGURED DIMENSIONS ARE TO BE FOLLOWED;
  - READ THIS DRAWING IN CONJUNCTION WITH THE ARCHITECTS SPECIFICATION & CONDITION OF CONTRACT;
  - THIS DRAWING SHALL NOT BE USED FOR CONSTRUCTION PURPOSES UNLESS OTHERWISE CERTIFIED;
  - THIS DRAWING AND DESIGN ARE SUBJECT TO COPYRIGHT AND NO PORTION MAY BE REPRODUCED WITHOUT THE WRITTEN PERMISSION OF THE ARCHITECTS.

REV.	DATE	DESCRIPTION

MIC SUPPLIER  
**YAU LEE WAH CONCRETE PRECAST PRODUCTS COMPANY LIMITED**  
 10/F, TOWER 1, ENTERPRISE SQUARE,  
 9 SHEUNG YUET ROAD, KOWLOON BAY, HONG KONG  
 T +852 2753 4325  
 F +852 2753 4329  
 E yyprecast@yaullee.com  
 www.yaullee.com

Main Contractor:  
  
**有利建築有限公司**  
**Yau Lee Construction Co., Ltd.**

ARCHITECT  
**OIYN LIMITED**  
 FOR ARCHITECTS & ASSOCIATES  
2/F, BLOCK A, CHEUNG FAT FACTORY BUILDING, NO.263-271 UN CHAU STREET, KLN  
 TEL:3489-1990 FAX:3020-9409

STRUCTURAL ENGINEER  
**JACOBS**  
 BUILDING SERVICES ENGINEER

AP  
 FUNG BRIAN PAK YAN  
 Authorized Person

RSE  
 PROJECT:  
**MODULAR INTEGRATED CONSTRUCTION (MIC) SYSTEM:  
 YAU LEE WAH DEMOUNTABLE CONCRETE MIC FOR LOW RISE BUILDING (MODEL NO. CONCRETE MIC 2.0 - DEMOUNTABLE)**

DRAWING TITLE:

DRAWN BY KP	SCALE 1:50 (A1)
CHECKED BY BF	DATE
JOB No. A-1909	DWG.NO. WP-04
	REVISION

BD'S OFFICAL USE