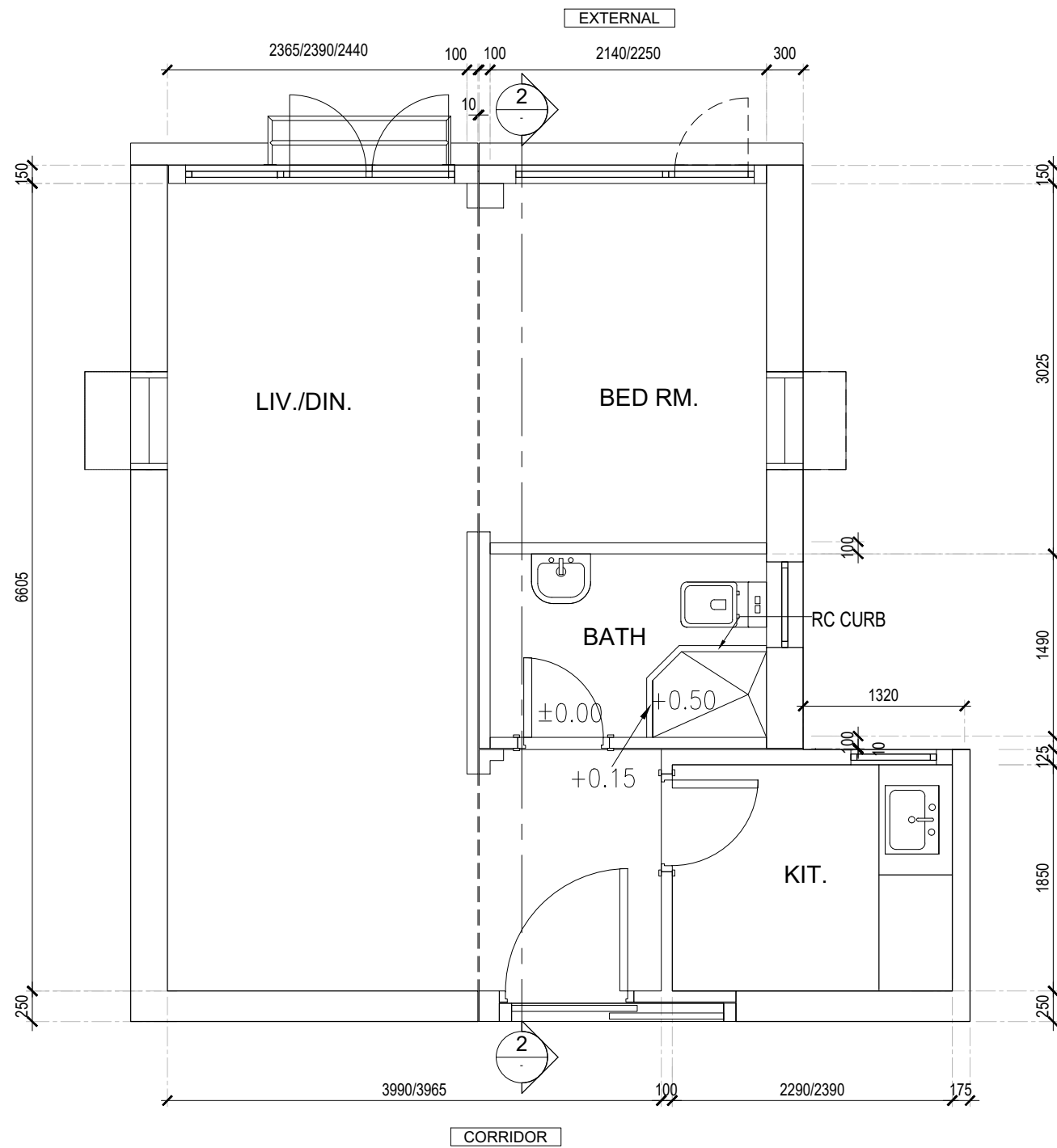
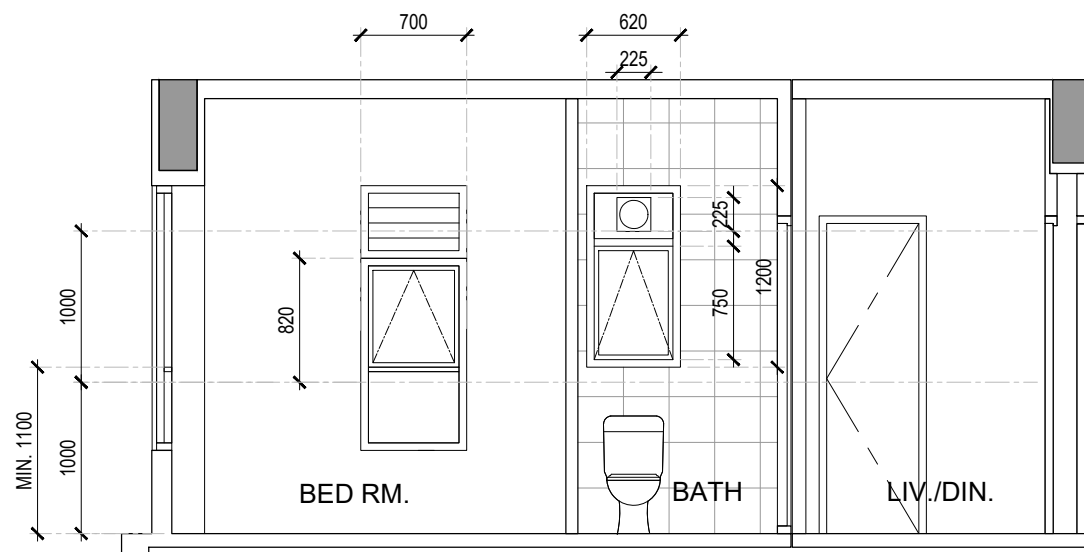


MiC FLAT TYPE A, TYPE A/R (MIRRORED)



1
FLAT PLAN
SCALE 1:50



2
FLAT SECTION
SCALE 1:50

BD REF. NO.: BD/MIC/230209		
FSD REF. NO.:		
REVISIONS AND SUBMISSIONS:		
NO.	DATE:	CHECKED:

CLIENT:

華營建築有限公司
 CR CONSTRUCTION COMPANY LIMITED
 浙建集團

ARCHITECTURAL CONSULTANT:

馬海
 馬海(建築顧問)有限公司
 Spence Robinson Limited

STRUCTURAL ENGINEER CONSULTANT:
 張耀新建築工程師有限公司
 Wilson & Associates Ltd

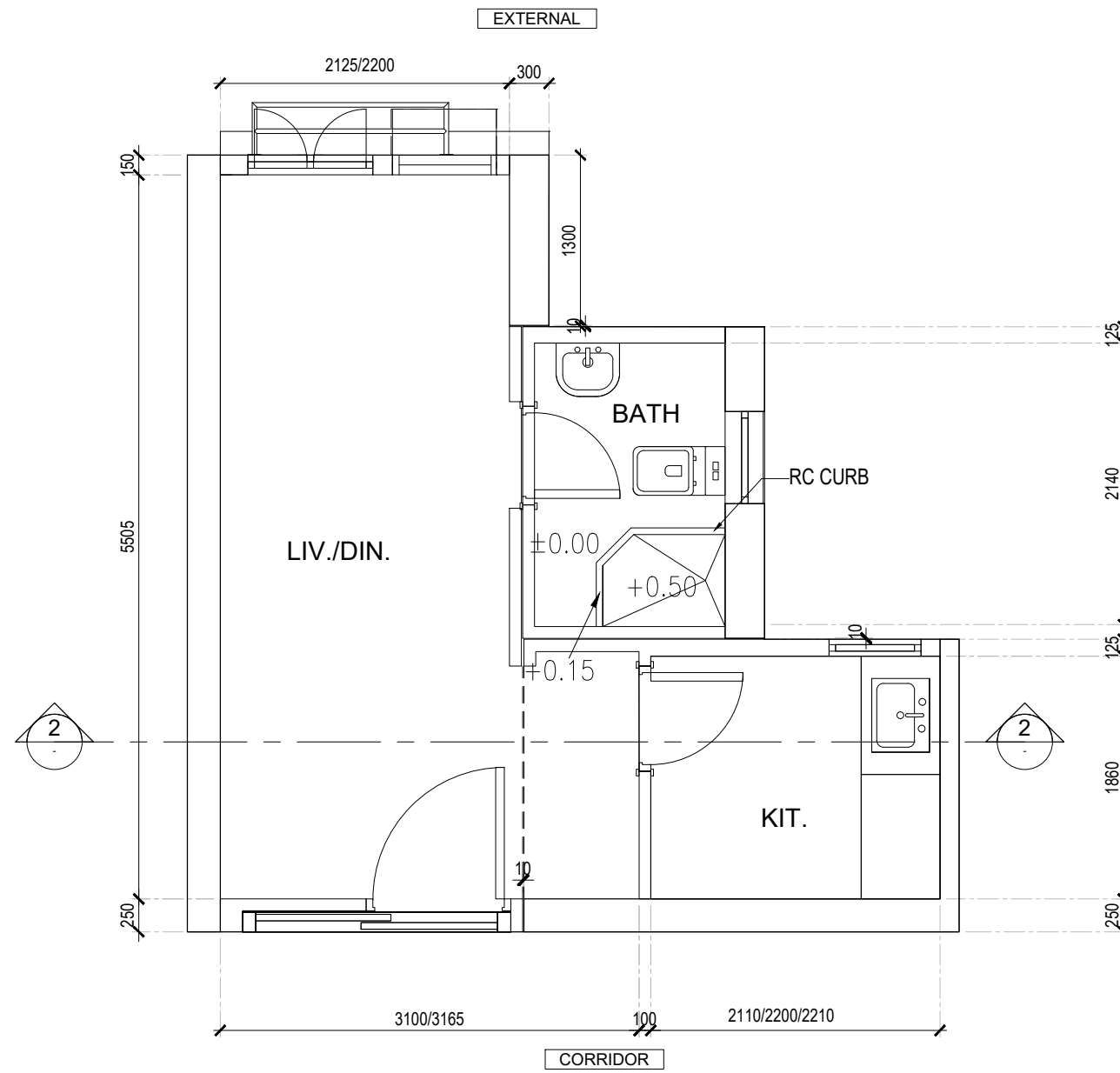
NOTES:
 1. This drawing and design are copyright and no portion may be reproduced without the written permission of the Architect.
 2. Use written dimensions or grid lines in preference to scaled dimensions. Measurements to existing work are to be checked on site.
 3. This drawing is to be read in conjunction with the Architect's Specification and Conditions of Contract.
 4. Prints not showing the last revision are to be cancelled.
 5. Prints without an authorized signature in the checked and approved spaces below and after the last revision above are NOT valid for use outside SRL.

PROJECT:
PRE-ACCEPTANCE FOR MiC SYSTEM FOR REHOUSING ESTATE AT KWU TUNG NORTH AREA 24

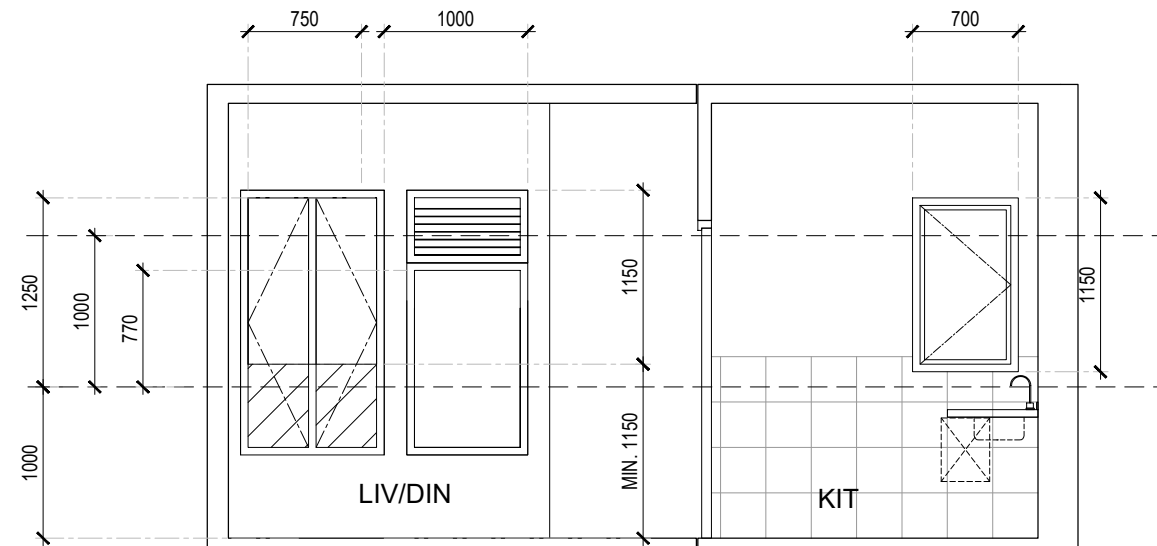
DRAWING TITLE:
MiC TYPICAL FLAT TYPE A & A/R (MIRRORED)

DRAWN BY: RM	DATE: SEP 2023
CHECKED BY: CMD	APPROVED BY: KCY
SCALE: 1:50	PAPER SIZE: A3
PROJECT: PE 5828	DRAWING NO.: UN-01
REVISION: -	REVISION: -

MiC FLAT TYPE B, TYPE B/R (MIRRORED)



1 FLAT PLAN
SCALE 1:50



2 FLAT SECTION
SCALE 1:50

LEGEND

- GUARD BARRIER
- TEMPERED FIXED GLASS

BD REF. NO.: BD/MIC/230209		
FSD REF. NO.:		
REVISIONS AND SUBMISSIONS:		
NO.	DATE:	CHECKED:

CLIENT:

華營建築有限公司
CR CONSTRUCTION COMPANY LIMITED

浙建集團

ARCHITECTURAL CONSULTANT:

馬海
馬海(建築顧問)有限公司
Spence Robinson Limited

STRUCTURAL ENGINEER CONSULTANT:

張耀新建築工程師有限公司
Wilson & Associates Ltd

NOTES:

1. This drawing and design are copyright and no portion may be reproduced without the written permission of the Architect.
2. Use written dimensions or grid lines in preference to scaled dimensions. Measurements to existing work are to be checked on site.
3. This drawing is to be read in conjunction with the Architect's Specification and Conditions of Contract.
4. Prints not showing the last revision are to be cancelled.
5. Prints without an authorized signature in the checked and approved spaces below and after the last revision above are NOT valid for use outside SRL.

PROJECT:

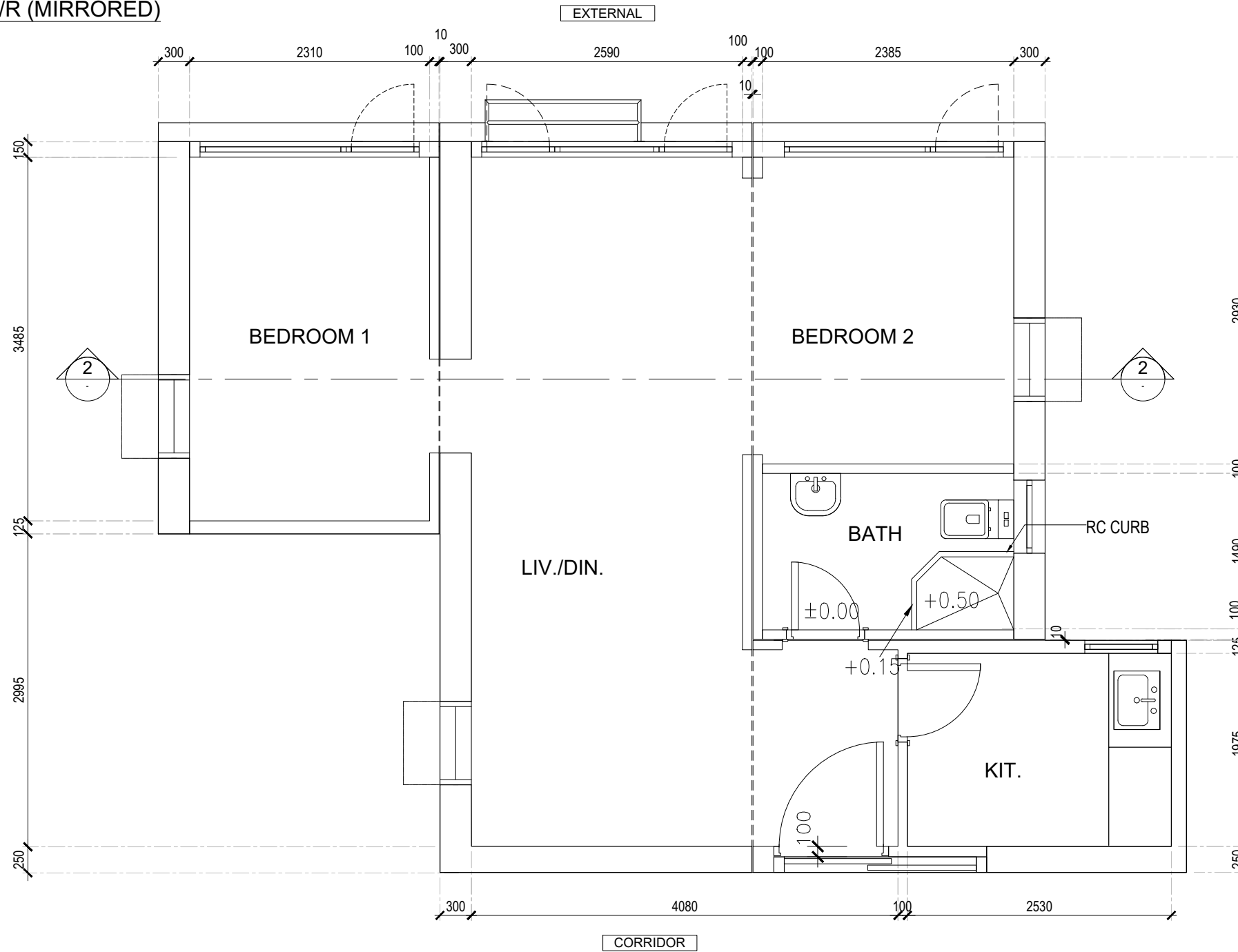
PRE-ACCEPTANCE FOR MiC SYSTEM FOR REHOUSING ESTATE AT KWU TUNG NORTH AREA 24

DRAWING TITLE:

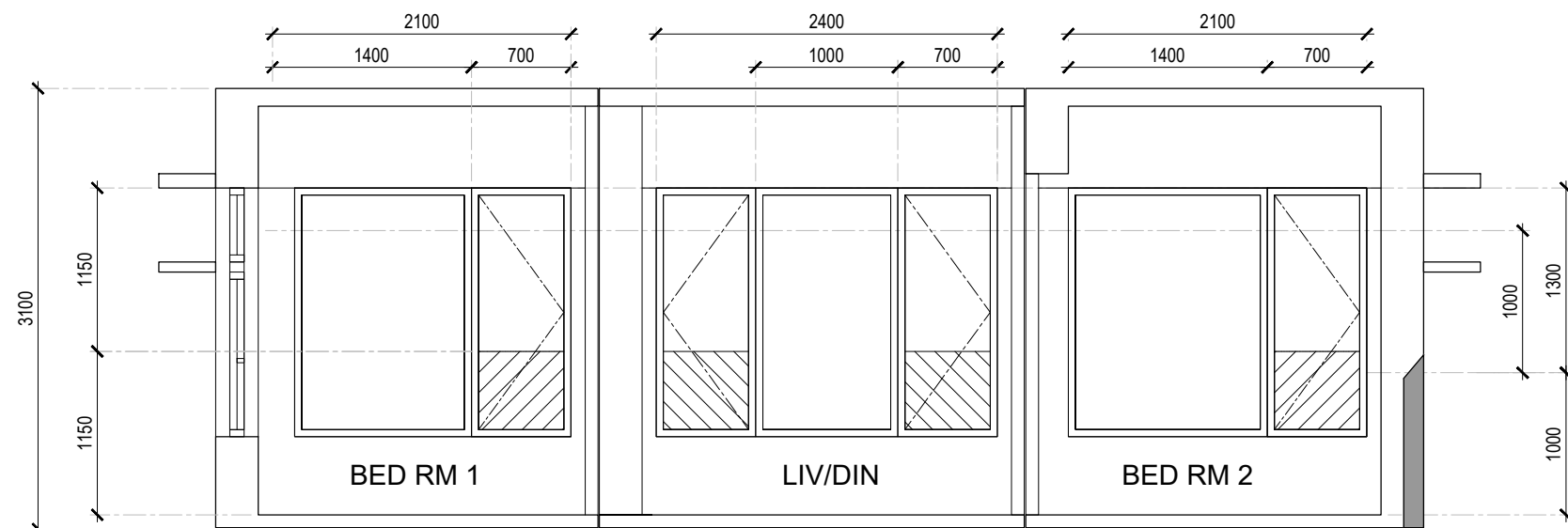
MiC TYPICAL FLAT TYPE B & B/R (MIRRORED)

DRAWN BY:	DATE:	
RM	SEP 2023	
CHECKED BY:	APPROVED BY:	
CMD	KCY	
SCALE:	PAPER SIZE:	
1:50	A3	
PROJECT:	DRAWING NO.:	REVISION:
PE 5828	UN-02	-

MiC FLAT TYPE C, TYPE C/R (MIRRORED)



1 FLAT PLAN
SCALE 1:50



2 FLAT SECTION
SCALE 1:50

LEGEND
 GUARD BARRIER
 TEMPERED FIXED GLASS

BD REF. NO.: BD/MIC/230209
 FSD REF. NO.:
 REVISIONS AND SUBMISSIONS:

NO.	DATE	DETAILS	CHECKED:

CLIENT:
 華營建築有限公司
 CR CONSTRUCTION COMPANY LIMITED
 浙建集團

ARCHITECTURAL CONSULTANT:
 馬海
 馬海(建築顧問)有限公司
 Spence Robinson Limited

STRUCTURAL ENGINEER CONSULTANT:
 張耀新建築工程師有限公司
 Wilson & Associates Ltd

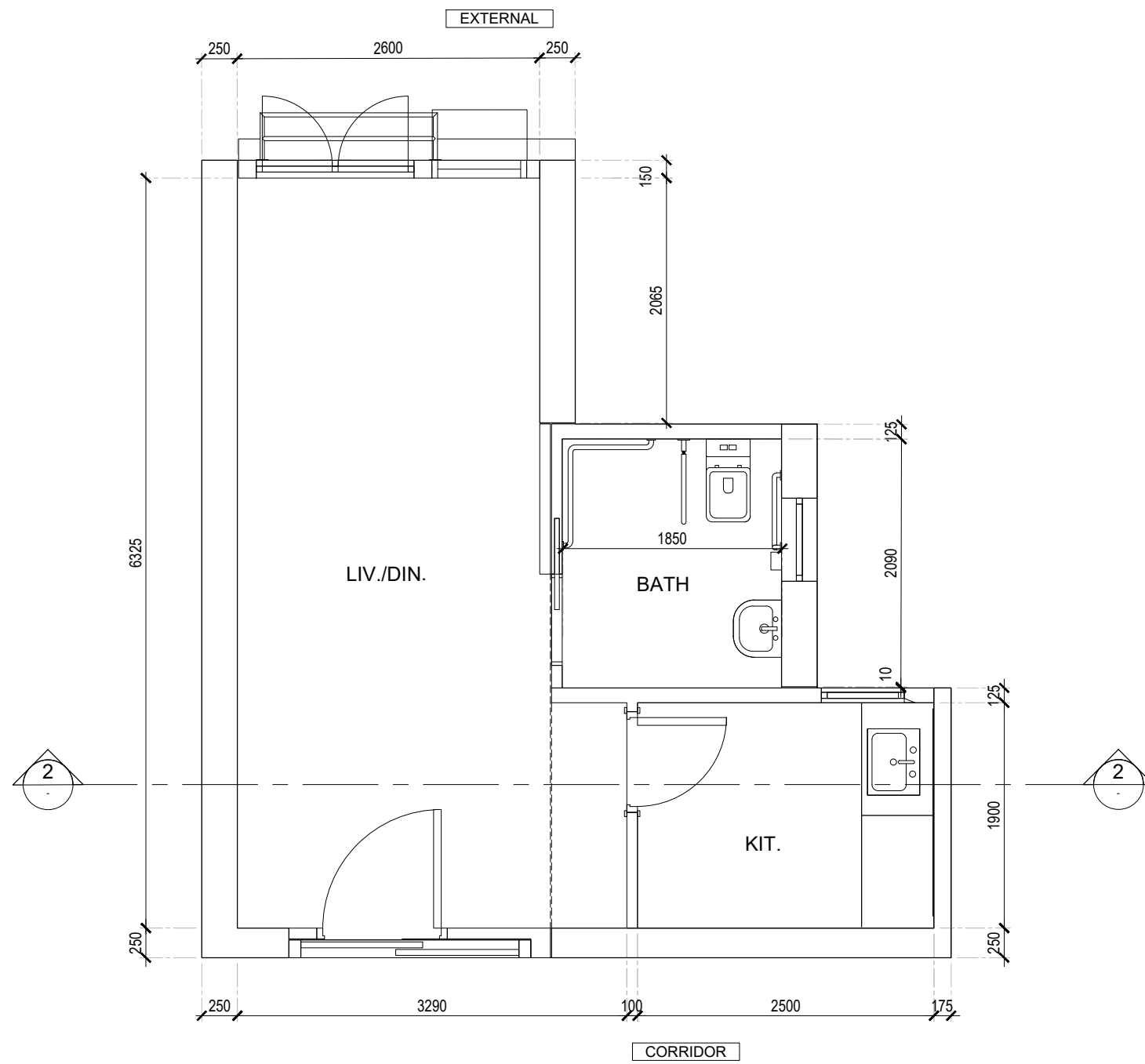
NOTES:
 1. This drawing and design are copyright and no portion may be reproduced without the written permission of the Architect.
 2. Use written dimensions or grid lines in preference to scaled dimensions. Measurements to existing work are to be checked on site.
 3. This drawing is to be read in conjunction with the Architect's Specification and Conditions of Contract.
 4. Prints not showing the last revision are to be cancelled.
 5. Prints without an authorized signature in the checked and approved spaces below and after the last revision above are NOT valid for use outside SRL.

PROJECT:
 PRE-ACCEPTANCE FOR MiC SYSTEM FOR
 REHOUSING ESTATE AT KWU TUNG NORTH
 AREA 24

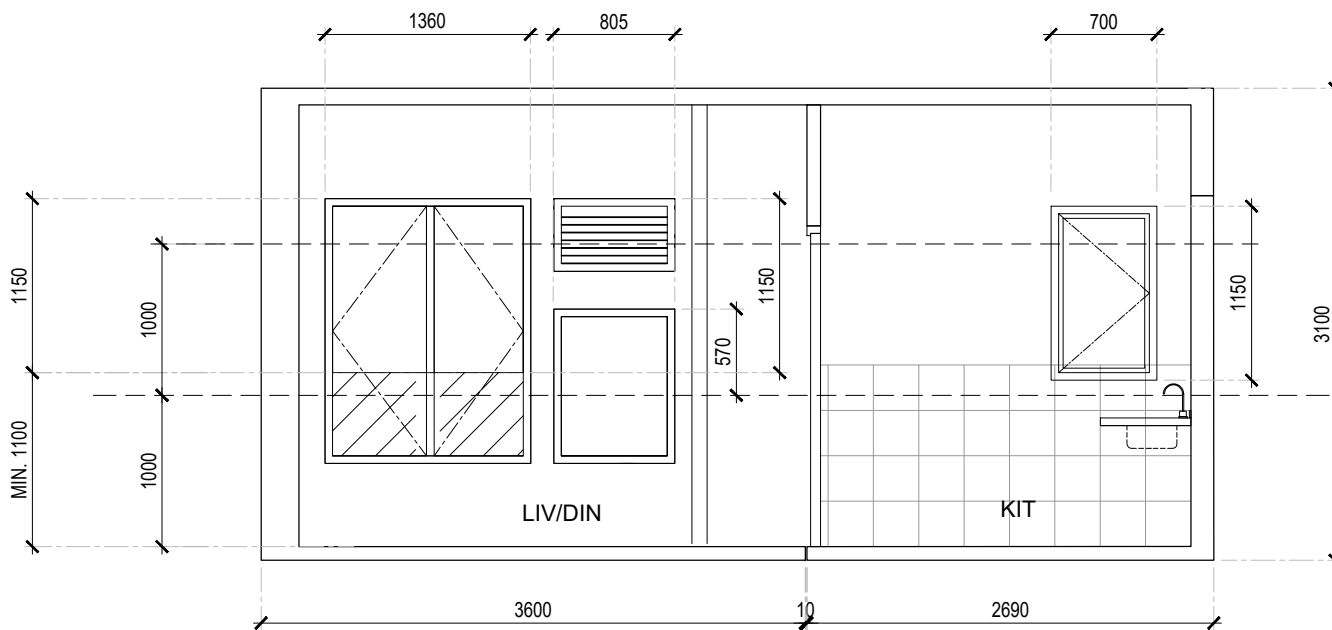
DRAWING TITLE:
 MiC TYPICAL FLAT
 TYPE C & C/R (MIRRORED)

DRAWN BY: RM	DATE: SEP 2023
CHECKED BY: CMD	APPROVED BY: KCY
SCALE: 1:50	PAPER SIZE: A3
PROJECT: PE 5828	DRAWING NO.: UN-03
REVISION: -	

MIC FLAT TYPE D (ACCESSIBLE UNIT)



1 FLAT PLAN
SCALE 1:50



2 FLAT SECTION
SCALE 1:50

LEGEND

	GUARD BARRIER
	TEMPERED FIXED GLASS

BD REF. NO.: BD/MIC/230209
FSD REF. NO.:
REVISIONS AND SUBMISSIONS:

NO.	DATE:	DETAILS:	CHECKED:

CLIENT:
 華營建築有限公司
 CR CONSTRUCTION COMPANY LIMITED
 浙建集團

ARCHITECTURAL CONSULTANT:
 馬海
 馬海(建築顧問)有限公司
 Spence Robinson Limited

STRUCTURAL ENGINEER CONSULTANT:
 張耀新建築工程師有限公司
 Wilson & Associates Ltd

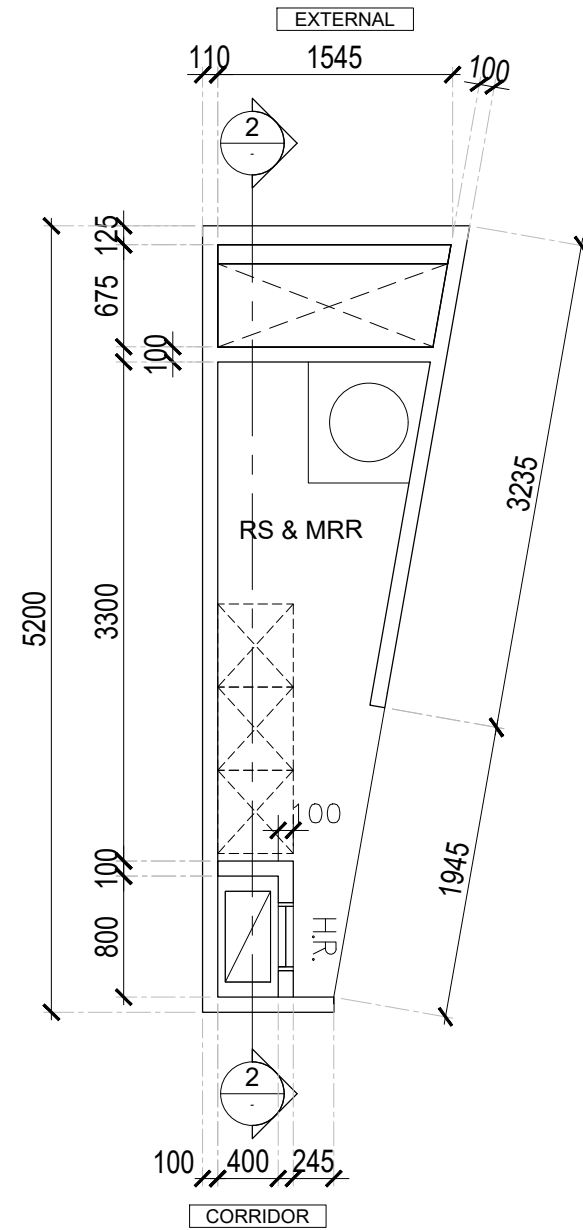
NOTES:
 1. This drawing and design are copyright and no portion may be reproduced without the written permission of the Architect.
 2. Use written dimensions or grid lines in preference to scaled dimensions. Measurements to existing work are to be checked on site.
 3. This drawing is to be read in conjunction with the Architect's Specification and Conditions of Contract.
 4. Prints not showing the last revision are to be cancelled.
 5. Prints without an authorized signature in the checked and approved spaces below and after the last revision above are NOT valid for use outside SRL.

PROJECT:
PRE-ACCEPTANCE FOR MIC SYSTEM FOR REHOUSING ESTATE AT KWU TUNG NORTH AREA 24

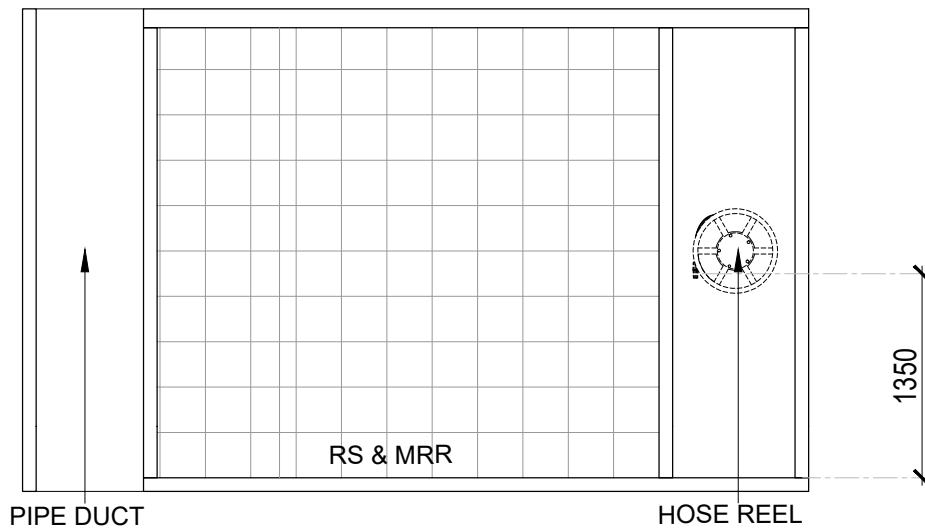
DRAWING TITLE:
MIC FLAT TYPE D (ACCESSIBLE UNIT)

DRAWN BY: RM	DATE: SEP 2023
CHECKED BY: CMD	APPROVED BY: KCY
SCALE: 1:50	PAPER SIZE: A3
PROJECT: PE 5828	DRAWING NO.: UN-04
	REVISION: -

MiC RS & MRR TYPE Y

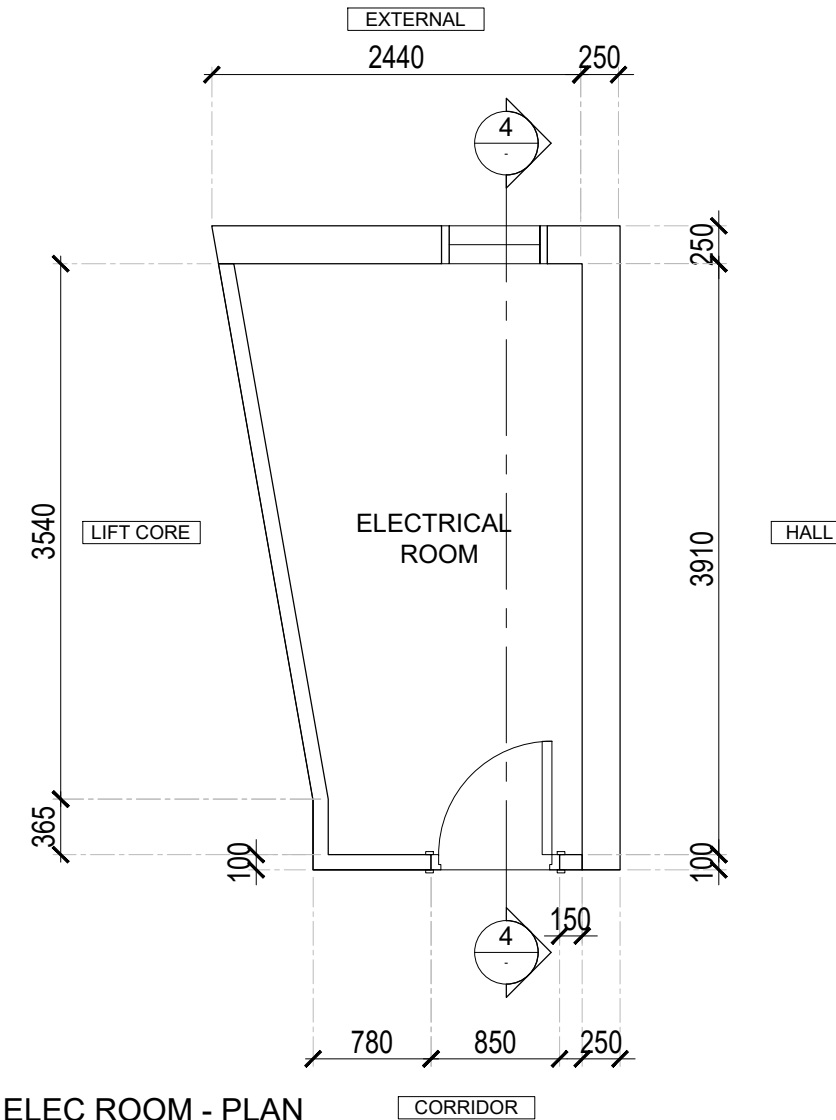


1 RS & MRR- PLAN
SCALE 1:50

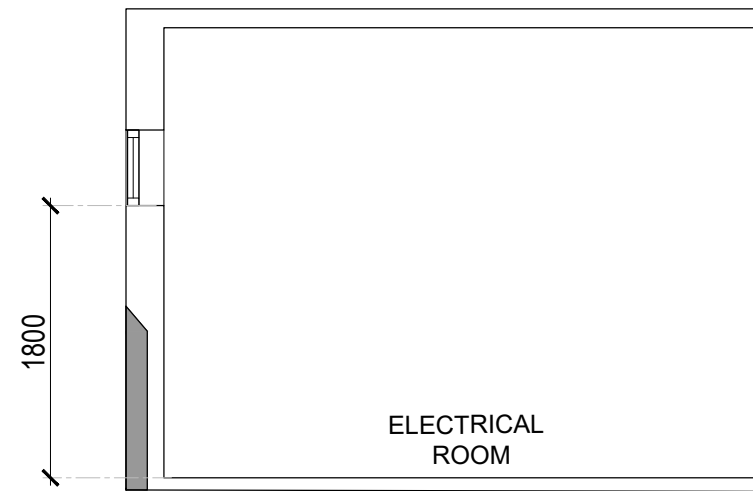


2 RS & MRR- SECTION
SCALE 1:50

MiC ELECTRICAL ROOM TYPE Z



3 ELEC ROOM - PLAN
SCALE 1:50



4 ELEC ROOM - SECTION
SCALE 1:50

BD REF. NO.: BD/MIC/230209
FSD REF. NO.:
REVISIONS AND SUBMISSIONS:

NO.	DATE	DETAILS	CHECKED:

CLIENT:
 華營建築有限公司
CR CONSTRUCTION COMPANY LIMITED
浙建集團

ARCHITECTURAL CONSULTANT:
 馬海
馬海(建築顧問)有限公司
Spence Robinson Limited

STRUCTURAL ENGINEER CONSULTANT:
張耀新建築工程師有限公司
Wilson & Associates Ltd

NOTES:
1. This drawing and design are copyright and no portion may be reproduced without the written permission of the Architect.
2. Use written dimensions or grid lines in preference to scaled dimensions. Measurements to existing work are to be checked on site.
3. This drawing is to be read in conjunction with the Architect's Specification and Conditions of Contract.
4. Prints not showing the last revision are to be cancelled.
5. Prints without an authorized signature in the checked and approved spaces below and after the last revision above are NOT valid for use outside SRL.

PROJECT:
PRE-ACCEPTANCE FOR MiC SYSTEM FOR REHOUSING ESTATE AT KWU TUNG NORTH AREA 24

DRAWING TITLE:
MiC MODULE TYPE Y & Z (ELEC ROOM & RS & MRR)

DRAWN BY: RM	DATE: SEP 2023
CHECKED BY: CMD	APPROVED BY: KCY
SCALE: 1:50	PAPER SIZE: A3
PROJECT: PE 5828	DRAWING NO.: UN-05
	REVISION: -