

B.D. REF. BD/MC/210502

F.S.D. REF.

REVISIONS

INITIAL AND DESIGNATION

NO. DESCRIPTION AND DATE DWN CKD AUTH

- SIMPLIFIED PLAN SUBMISSION

NO.	DESCRIPTION AND DATE	DWN	CKD	AUTH
-	SIMPLIFIED PLAN SUBMISSION			

NAME SIGNED DATE

DRAWN JX 21-05-21

DESIGNED OS 21-05-21

CHECKED SL 21-05-21

APPROVED AW 21-05-21

PROJECT NO. : 21026

PROJECT

PRE-ACCEPTANCE SUBMISSION OF MIC SYSTEM (MODEL NUMBER: HH-MIC-TT1)

DRAWING TITLE

SIMPLIFIED MODULE PLAN (1)

SCALE: 1:50 @ A1 / 1:100 @A3

DRAWING NO. L05-AR-701

CLIENT

ARCHITECT / AUTHORIZED PERSON

STRUCTURAL CONSULTANT / RSE

PREFABRICATION FACTORY:

BD's OFFICIAL USE

HP HING ENGINEERING CO.LTD
11/F CHEVALER COMMERCIAL CENTRE
NO.8 WANG HOI ROAD, KOWLOON BAY
KOWLOON, HONG KONG
T: 852 2525 9251
F: 852 2845 5055
E: email@hiphing.com.hk
www.hiphing.com.hk

LEIGH & ORANGE LTD.
801 DORSET HOUSE
TANGU PLACE, 979 KING'S ROAD
HONG KONG
T: 852 2989 9000
F: 852 2989 0443
E: info@leighorange.com
www.leighorange.com

WSP
7/F ONE KOWLOON
1 WANG HOI STREET,
KOWLOON BAY, HONG KONG
T: 852 2578 8899
F: 852 2556 9982
www.wsp.com

GUANGDONG CIMC BUILDING CONSTRUCTION CO.LTD
NO.827, CIMC WOOD FACTORY ROAD,
DALUOHEI, TIANBAOWEI, SANSHUIKONG
VILLAGE, DASHI TOWN, WUHU DISTRICT,
JIANGMEN, GUANGDONG, CHINA

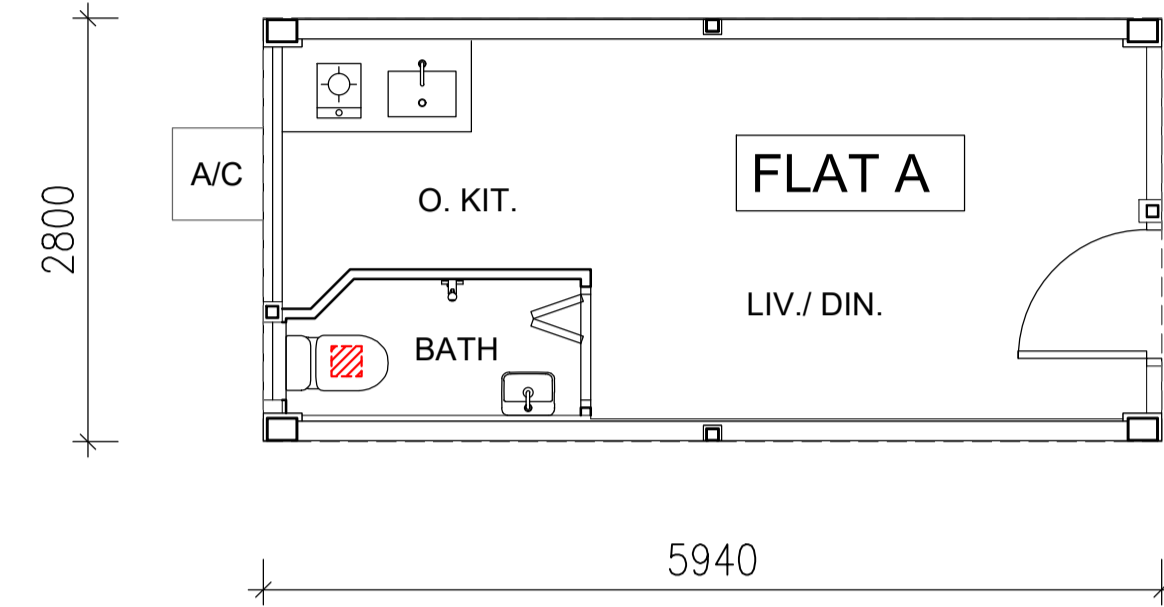
BD's OFFICIAL USE

BD's OFFICIAL USE

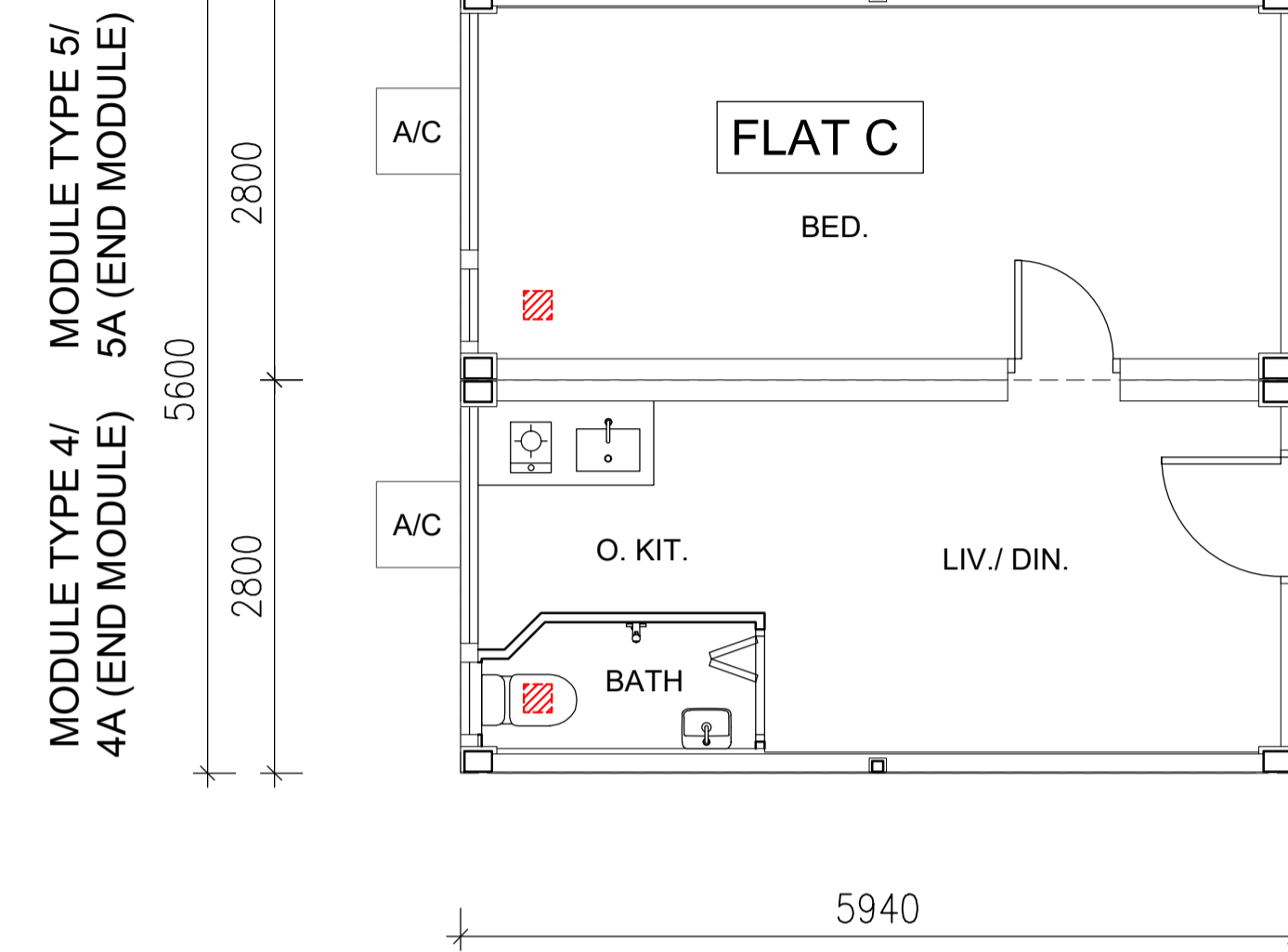
BD's OFFICIAL USE

BD's OFFICIAL USE

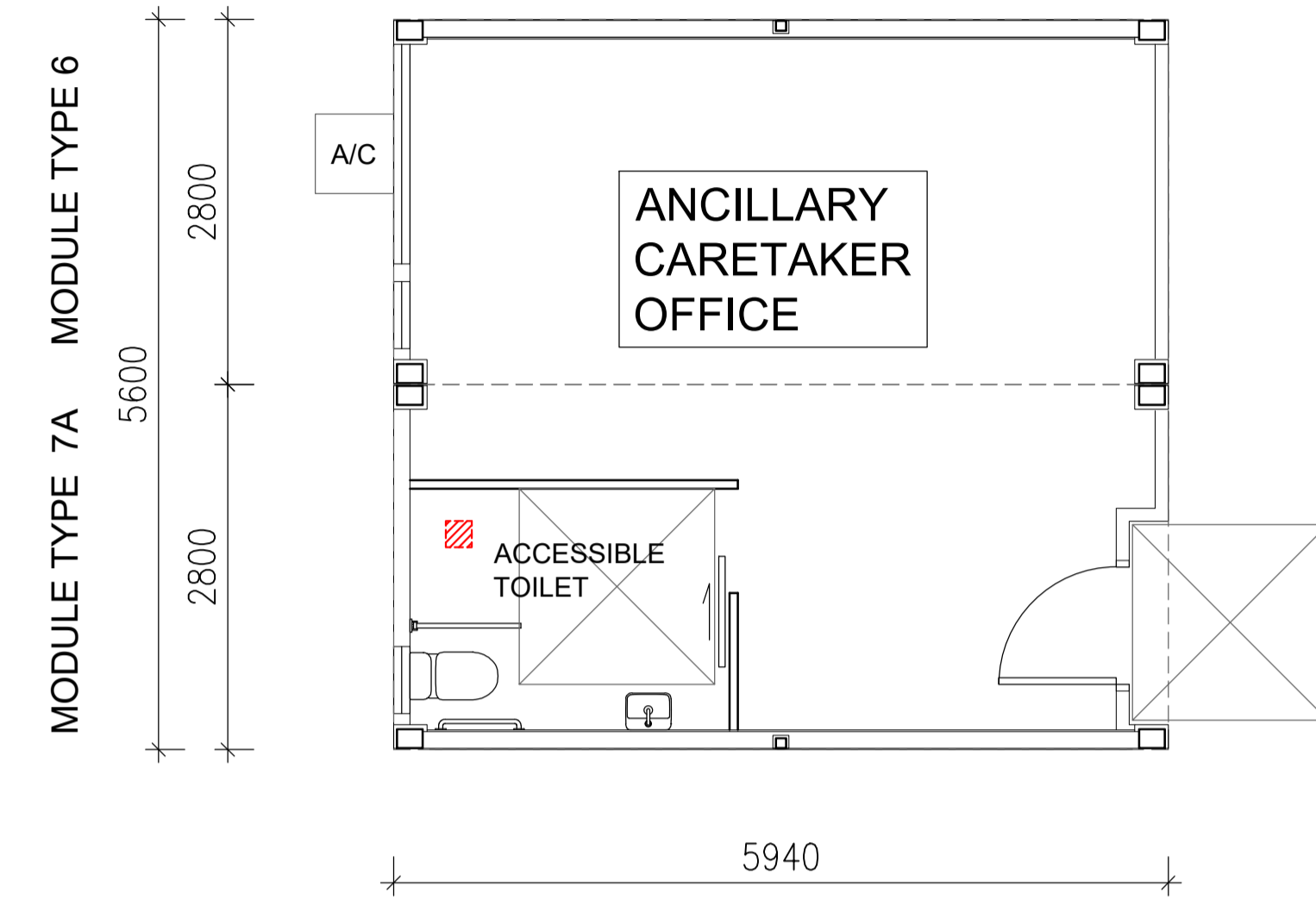
PRE-ACCEPTANCE SUBMISSION



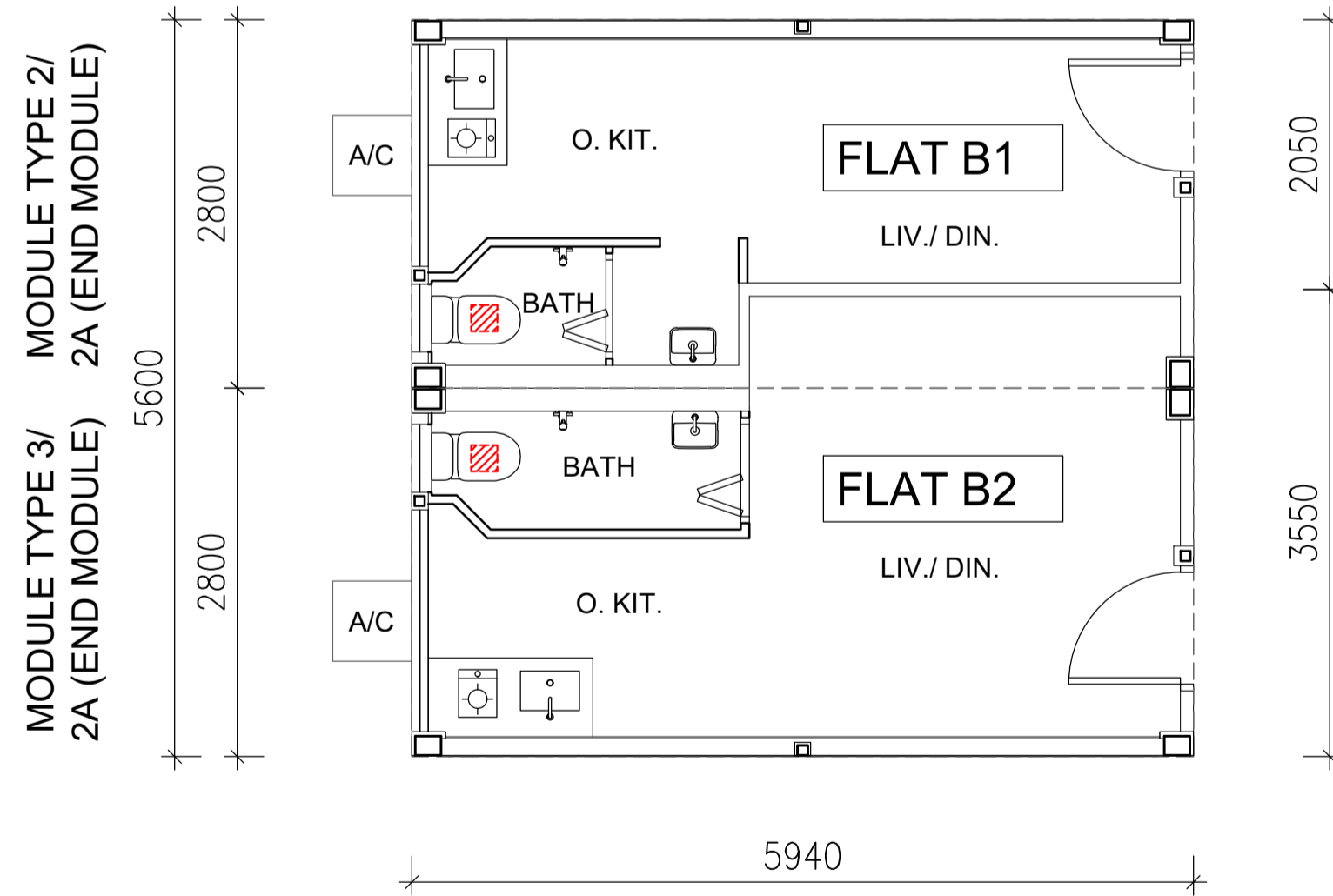
MODULE PLAN- FLAT A
MODULE TYPE 1/
1A & 1B (END MODULE)



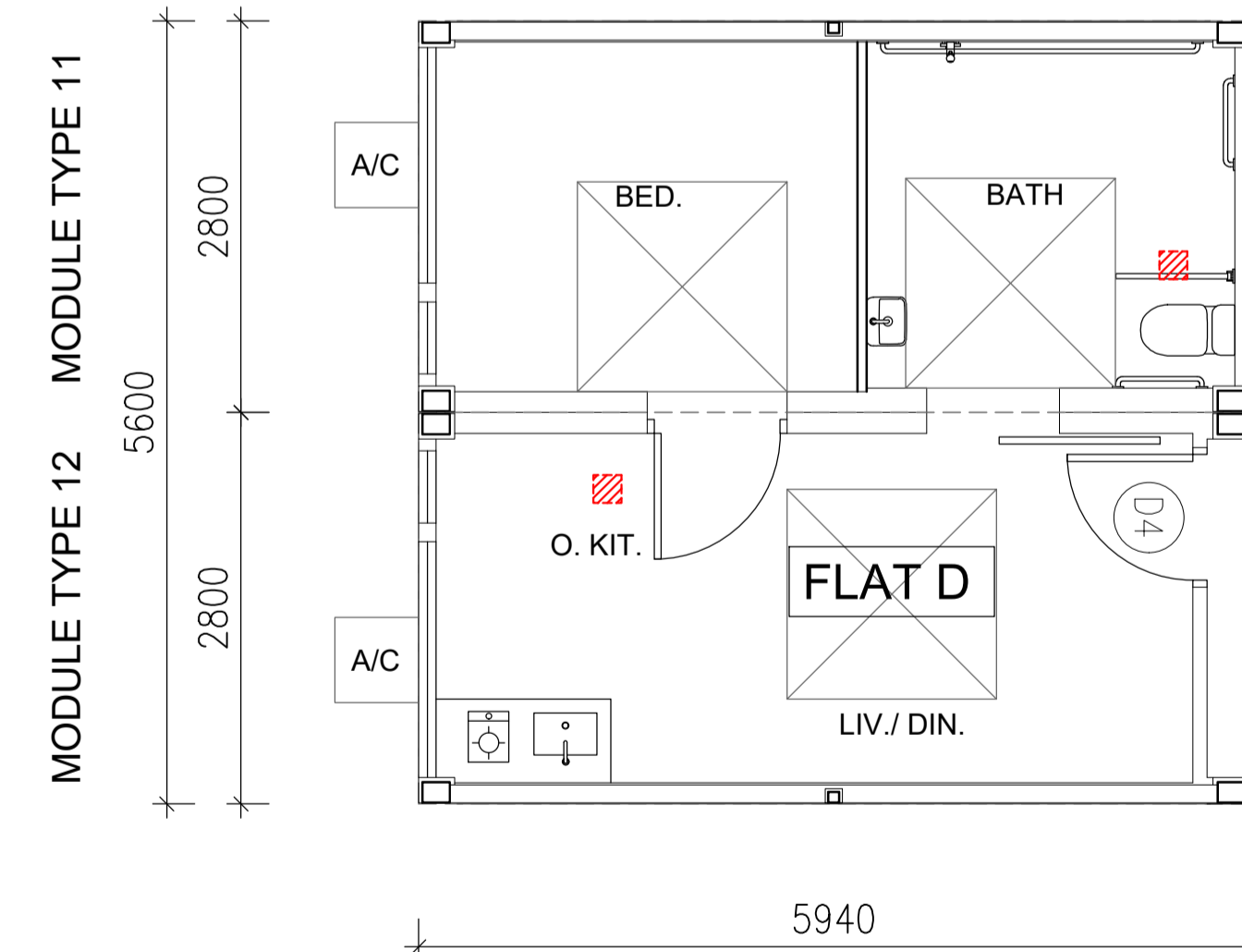
MODULE PLAN - FLAT C
MODULE TYPE 4/ 4A (END MODULE) &
5/5A (END MODULE)



MODULE PLAN - ANCILLARY CARETAKER OFFICE
MODULE TYPE 6 & 7A



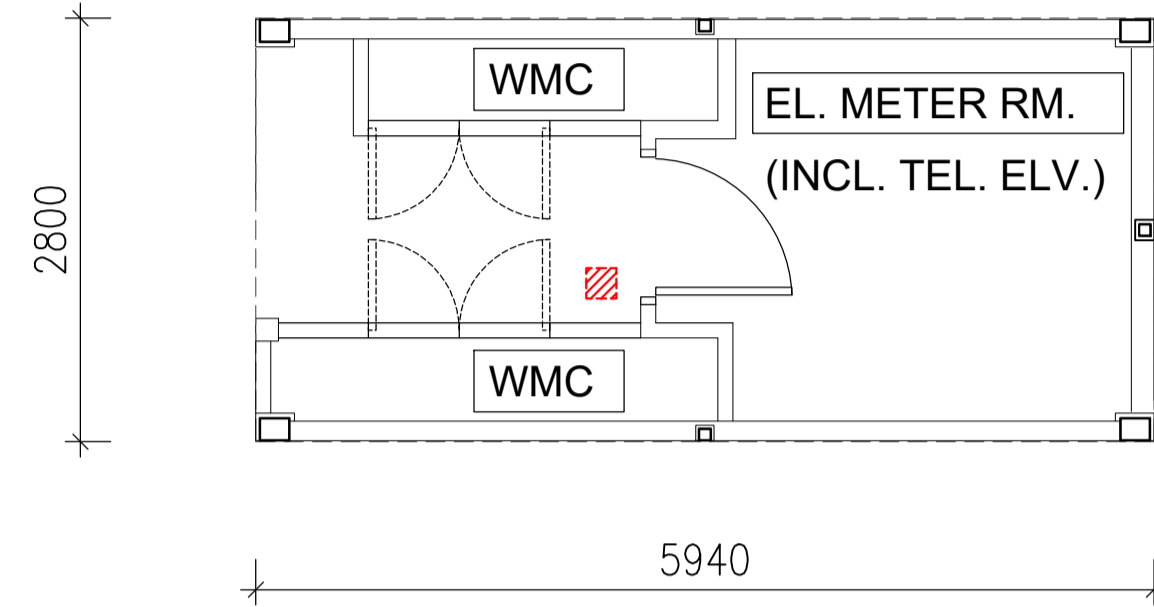
MODULE PLAN - FLAT B1 AND B2
MODULE TYPE 2/ 2A (END MODULE) &
3/3A (END MODULE)



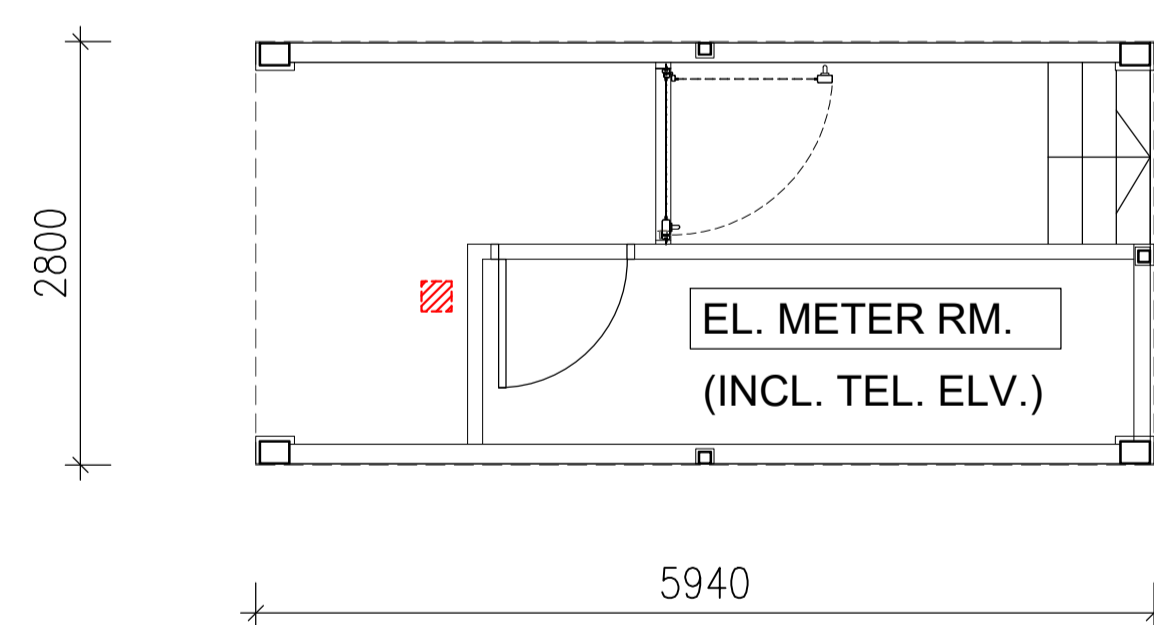
MODULE PLAN - FLAT D
MODULE TYPE 11 & 12

LEGEND

200 x 200 FIRE RATED ACCESS HATCH FOR MAINTENANCE

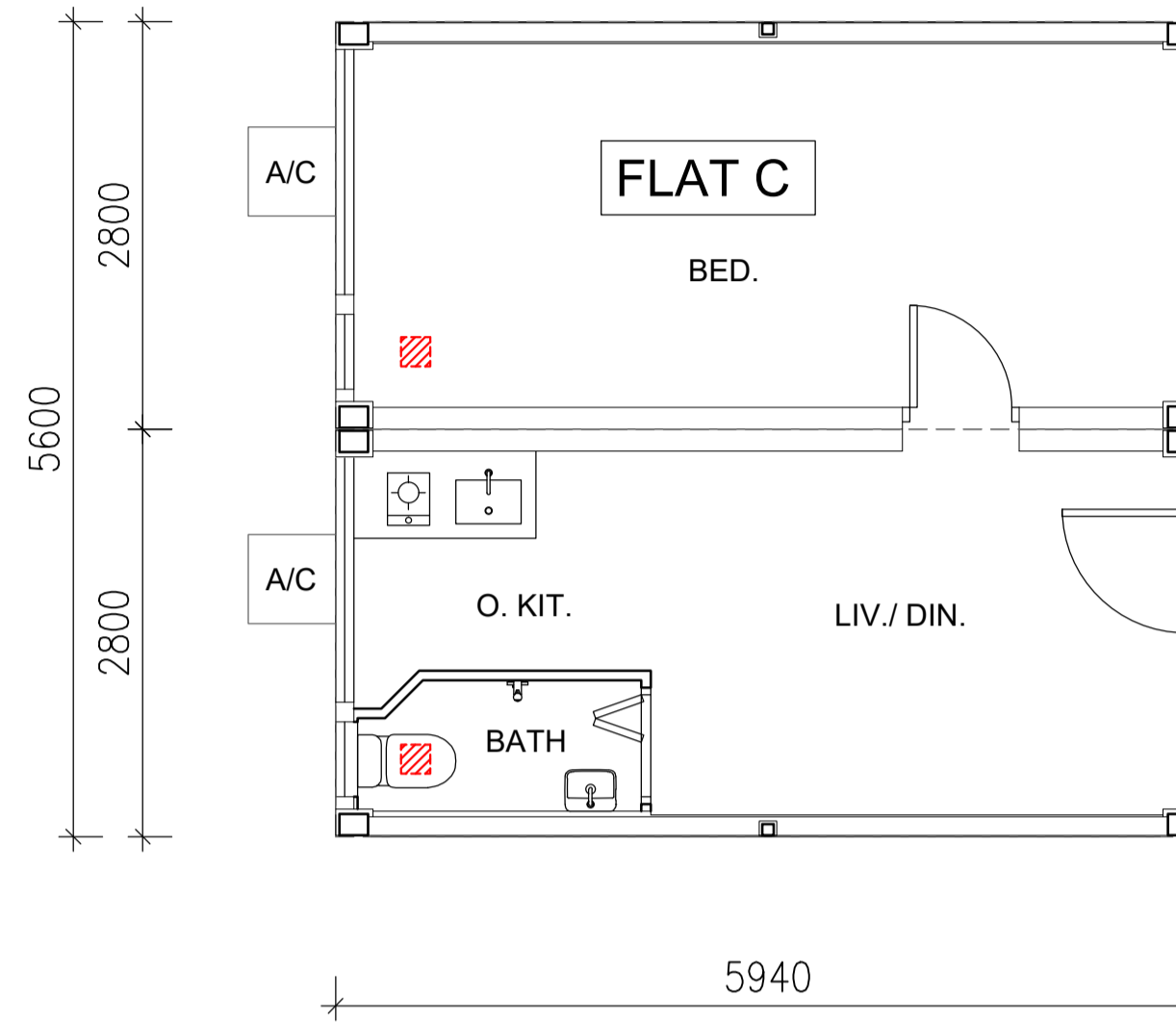


MODULE PLAN - EL. METER ROOM AND WMC
MODULE TYPE 8A / 8B (END MODULE) & 8A(H)
(HANDLED MODULE)



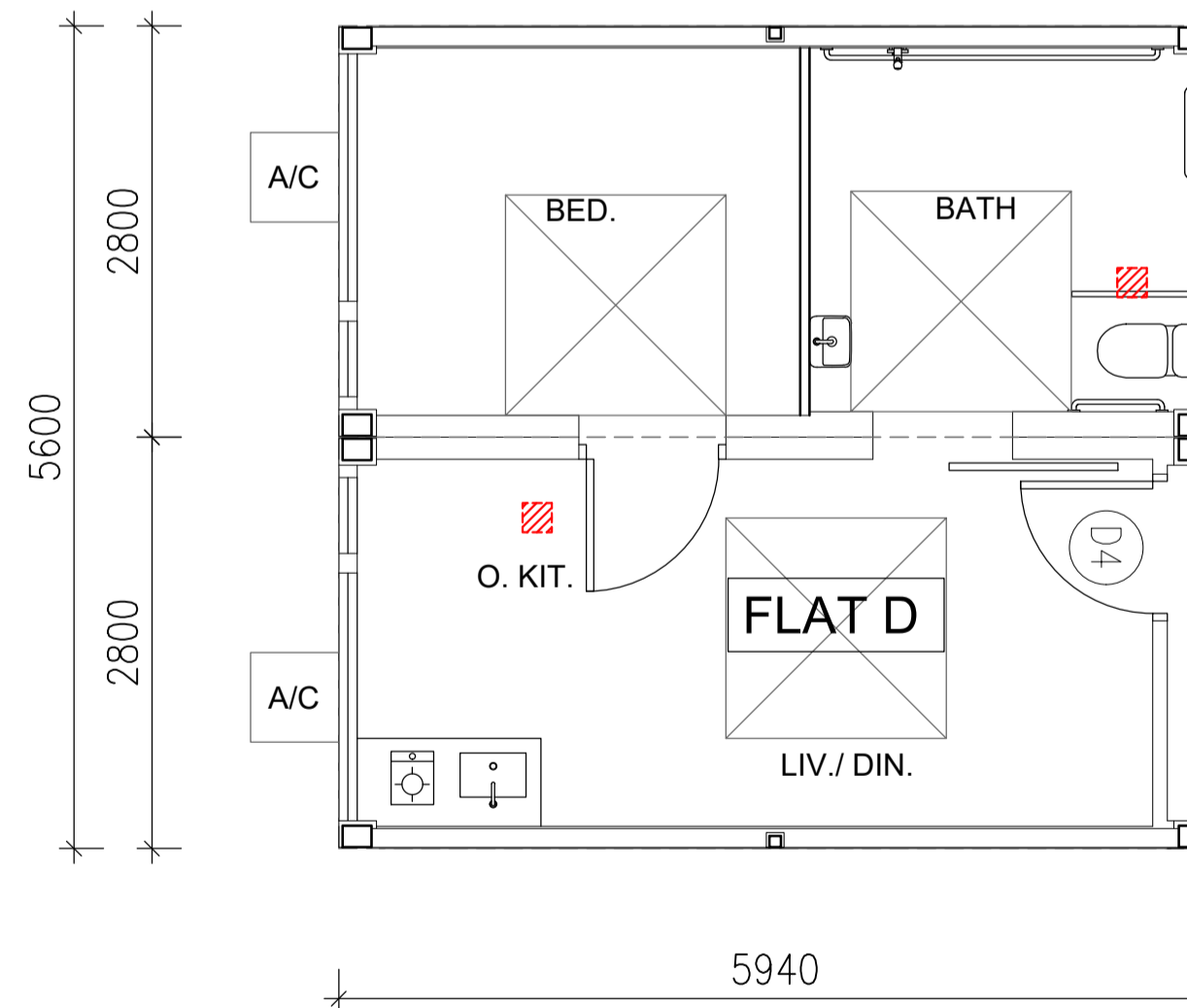
MODULE PLAN - EL. METER ROOM AND
EXIT ROUTE
MODULE TYPE 13

MODULE TYPE 4/
4A (END MODULE) 5A (END MODULE)



MODULE PLAN - FLAT C
MODULE TYPE 4/ 4A (END MODULE) &
5/5A (END MODULE)

MODULE TYPE 11
MODULE TYPE 12



MODULE PLAN - FLAT D
MODULE TYPE 11 & 12

LEGEND

▨ 200 x 200 FIRE RATED ACCESS
HATCH FOR MAINTENANCE

B.D. REF. BD/MC/210502

F.S.D. REF.

REVISIONS

INITIAL AND DESIGNATION

NO. DESCRIPTION AND DATE DWN CKD AUTH

- SIMPLIFIED PLAN SUBMISSION

**PRE-ACCEPTANCE
SUBMISSION**

B.D. REF. BD/MC/210502

F.S.D. REF.

REVISIONS

INITIAL AND DESIGNATION

NO. DESCRIPTION AND DATE DWN CKD AUTH

- SIMPLIFIED PLAN SUBMISSION

NO.	DESCRIPTION AND DATE	DWN	CKD	AUTH
-	SIMPLIFIED PLAN SUBMISSION			

NAME SIGNED DATE

DRAWN JX 21-05-21

DESIGNED OS 21-05-21

CHECKED SL 21-05-21

APPROVED AW 21-05-21

PROJECT NO. : 21026

PROJECT

PRE-ACCEPTANCE SUBMISSION OF MIC SYSTEM (MODEL NUMBER: HH-MIC-TT1)

DRAWING TITLE

SIMPLIFIED MODULE PLAN (3)

SCALE: 1:50 @ A1 / 1:100 @A3

DRAWING NO. L05-AR-703

CLIENT

HIP HING ENGINEERING CO.LTD

11/F CHEVALIER COMMERCIAL CENTRE

NO 8 WANG HOI ROAD, KOWLOON BAY

KOWLOON, HONG KONG

T: 852 2525 9251

F: 852 2845 5055

E: email@hiphing.com.hk

www.hiphing.com.hk

ARCHITECT / AUTHORIZED PERSON

LEIGH & ORANGE LTD.

801 DORSET HOUSE

TANGKO PLACE, 979 KINGS ROAD

HONG KONG

T: 852 2989 9000

F: 852 2989 0443

E: info@leighorange.com

www.leighorange.com

STRUCTURAL CONSULTANT / RSE

WSP

7/F ONE KOWLOON

1 WANG YUEN STREET,

KOWLOON BAY, HONG KONG

T: 852 2579 8899

F: 852 2556 9982

www.wsp.com

PREFABRICATION FACTORY:

GUANGDONG CIMC

BUILDING CONSTRUCTION CO.LTD

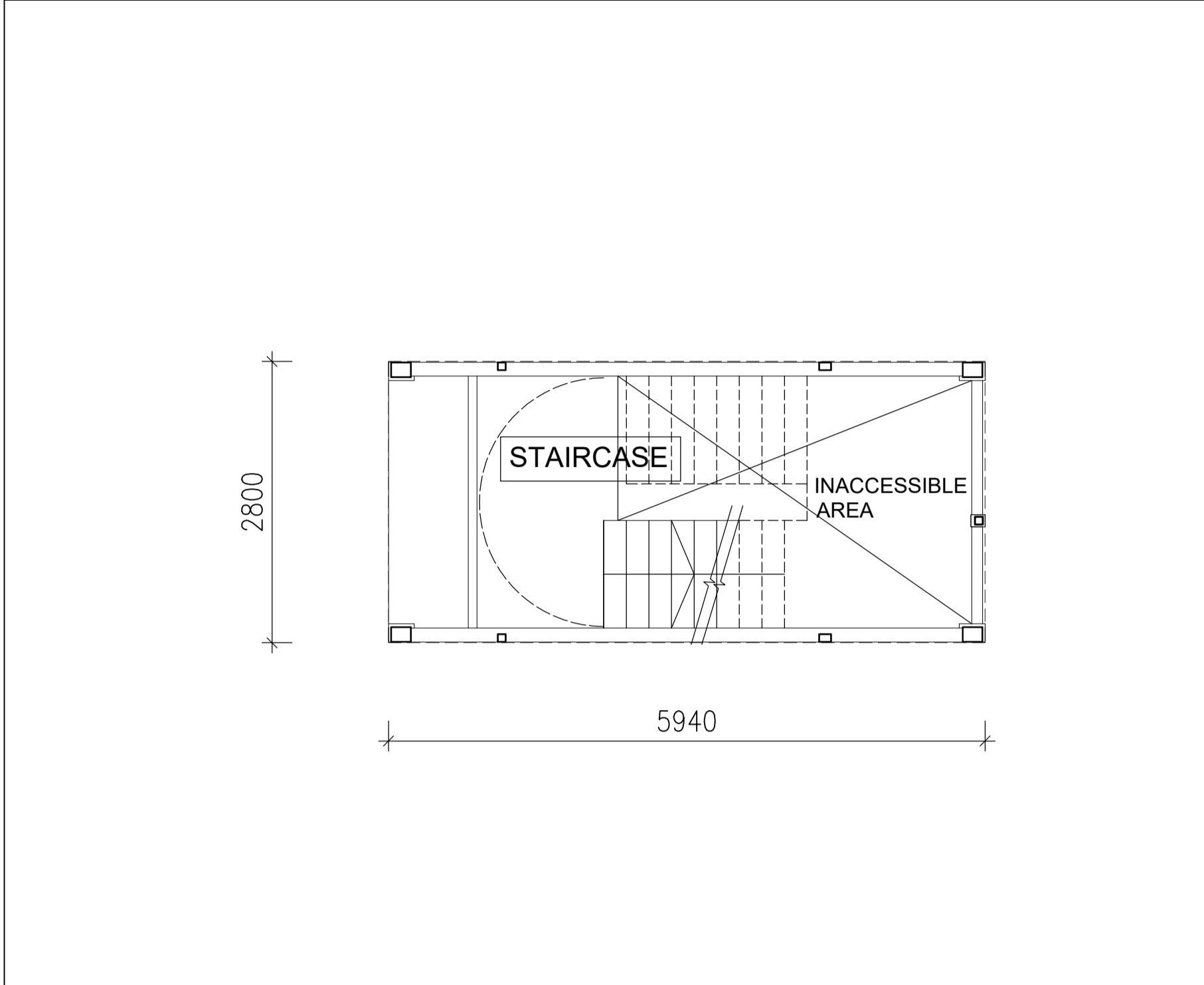
NO. 827, CIMC WOOD FACTORY ROAD,

QIUTAI, TIANBAIHEI, SANSHUIKONG

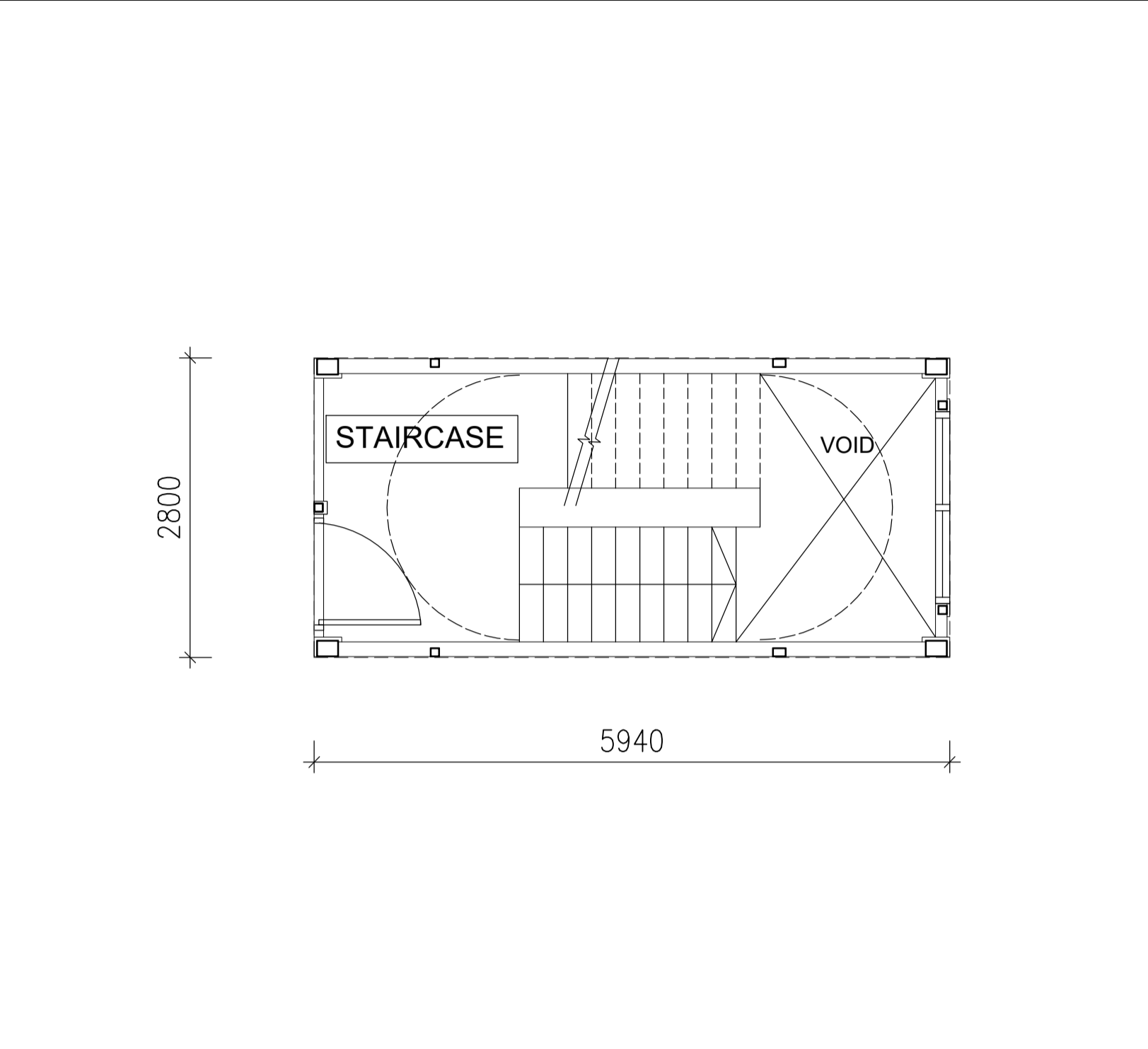
VILLAGE, DASHI TOWN, WUHEI DISTRICT,

JIANGMEN, GUANGDONG, CHINA

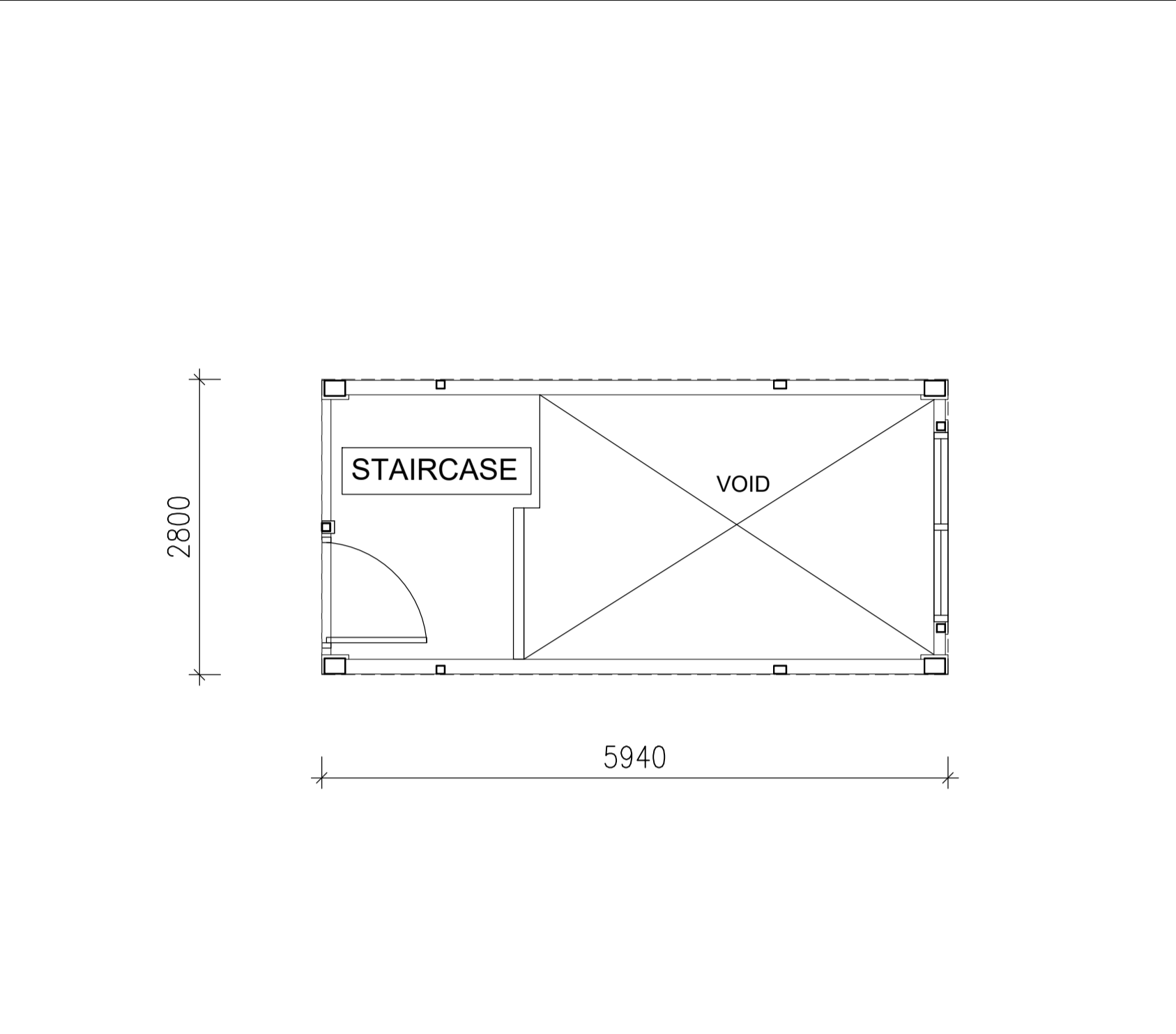
BD's OFFICIAL USE



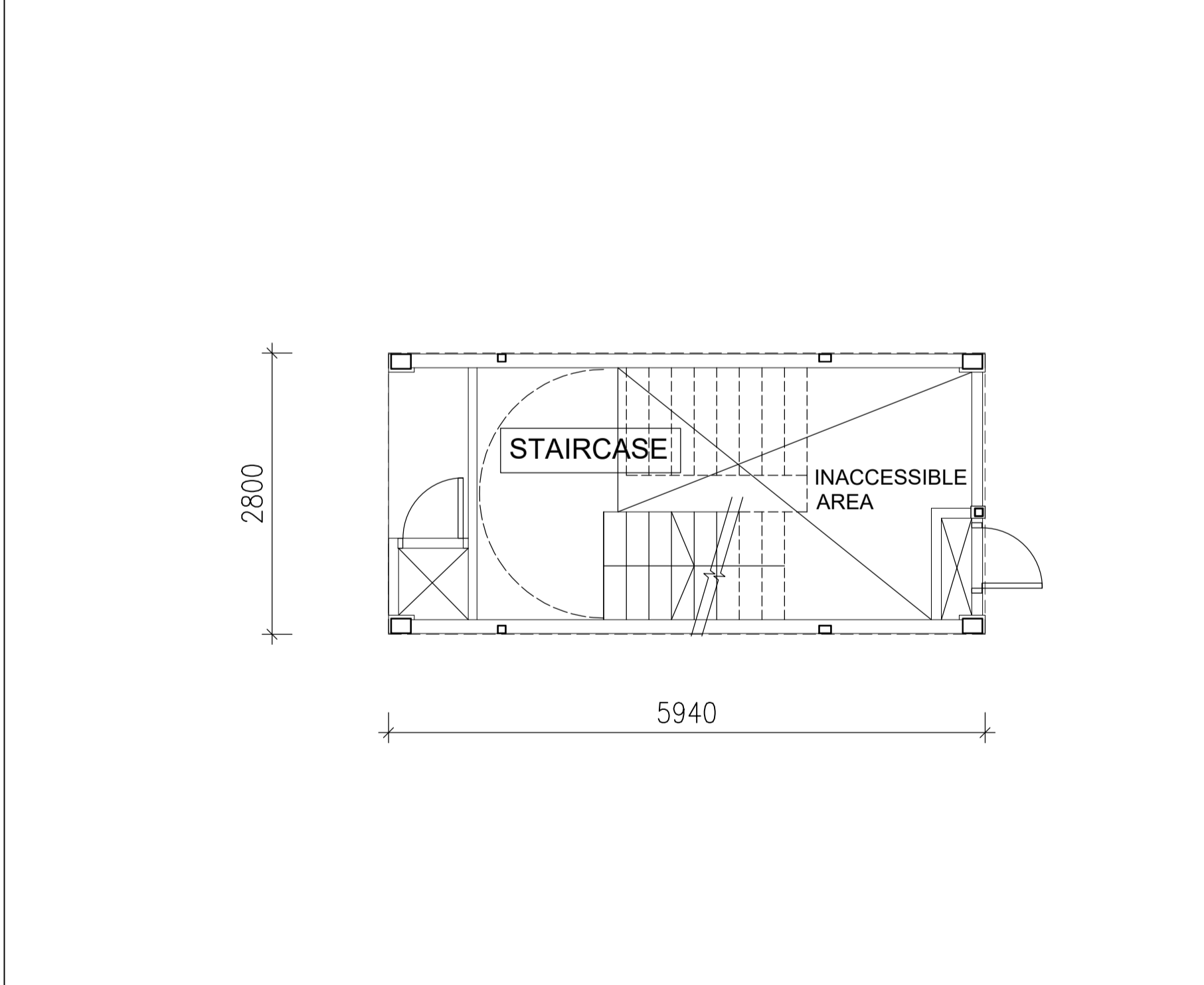
MODULE PLAN - STAIRCASE (G/F)
MODULE TYPE 10A1
& 10A1a/10A1b (END MODULE)



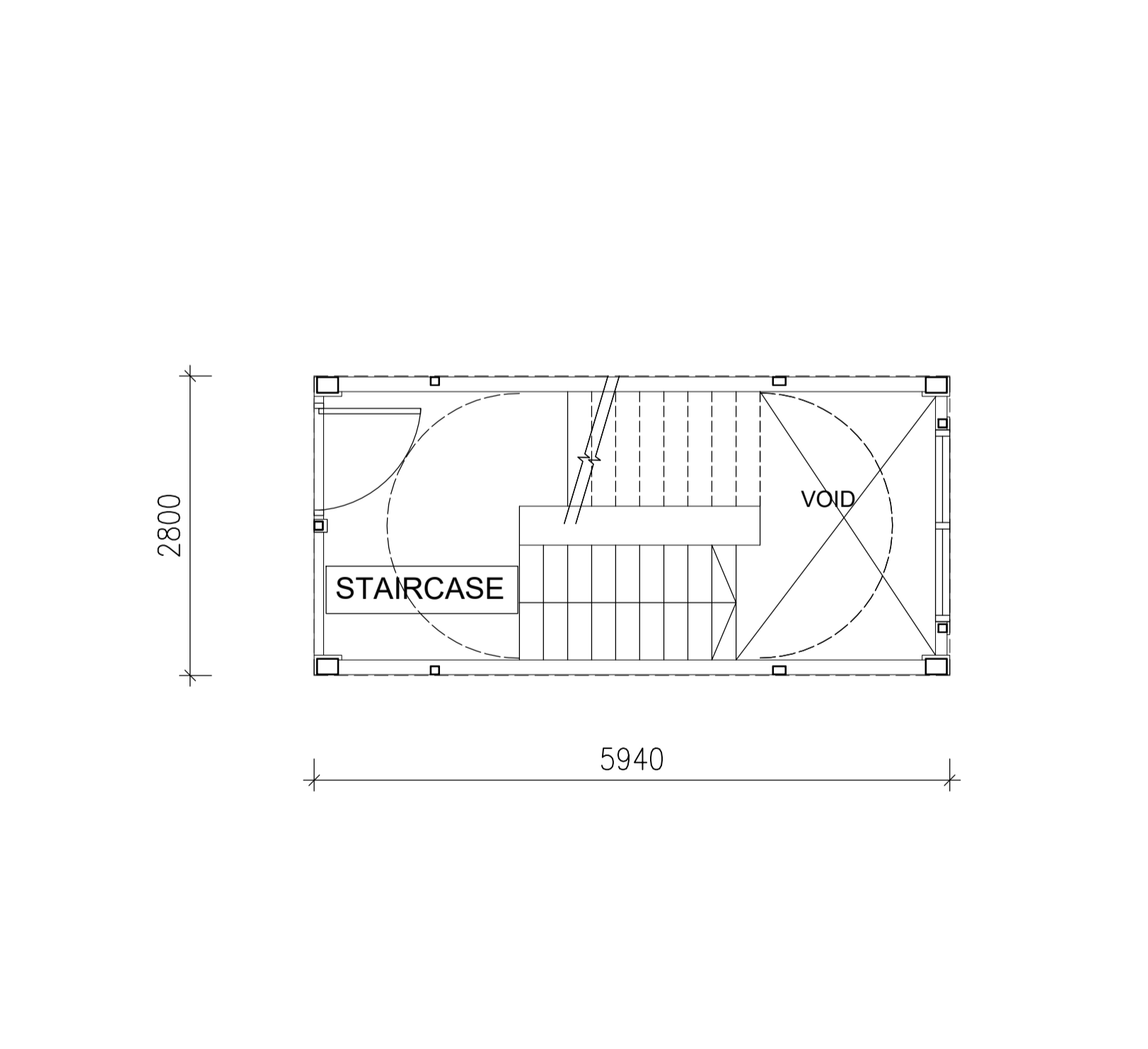
MODULE PLAN - STAIRCASE (1/F AND 2/F)
MODULE TYPE 10B &
10Ba/ 10Bb (END MODULE)



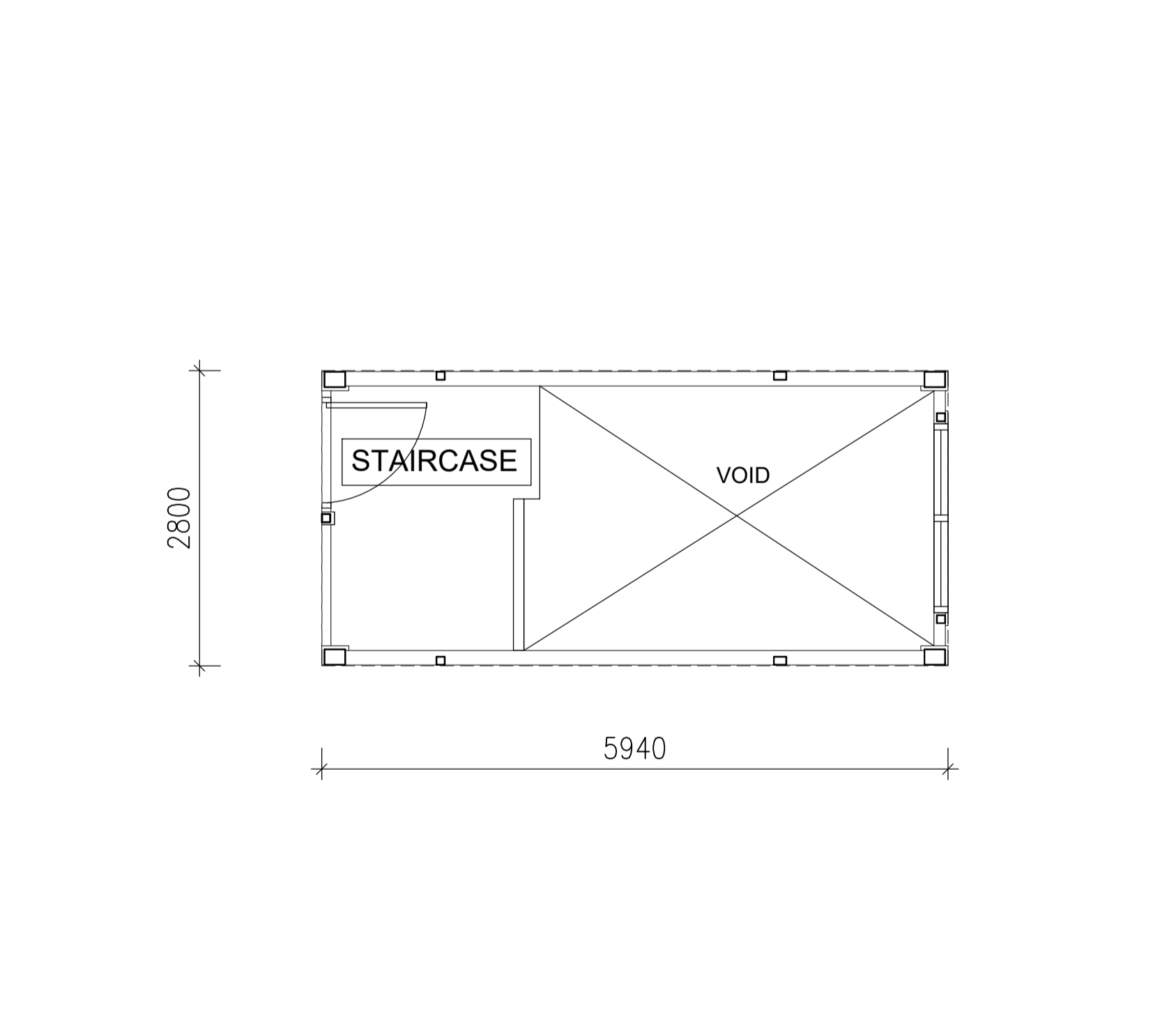
MODULE PLAN - STAIRCASE (3/F)
MODULE TYPE 10C
& 10Ca/10Cb (END MODULE)



MODULE PLAN - STAIRCASE (G/F)
MODULE TYPE 10A1-HR (MODULE WITH HOSE REEL) & 10A1a-HR
(END MODULE WITH HOSE REEL)



MODULE PLAN - STAIRCASE (1/F AND 2/F)
MODULE TYPE 10B(H)
& 10Ba(H) (END MODULE)



MODULE PLAN - STAIRCASE (3/F)
MODULE TYPE 10C (H), 10Ca(H) (END MODULE)
& 10C(H)-TV (TYP. MODULE WITH TOP VENT)

LEGEND

200 x 200 FIRE RATED ACCESS HATCH FOR MAINTENANCE

PRE-ACCEPTANCE SUBMISSION