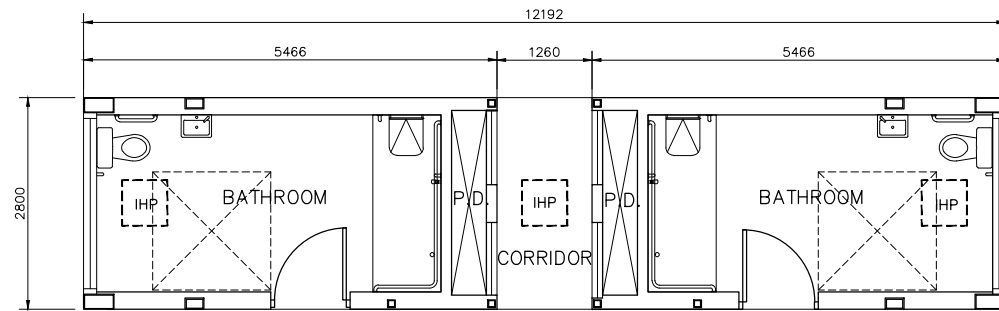
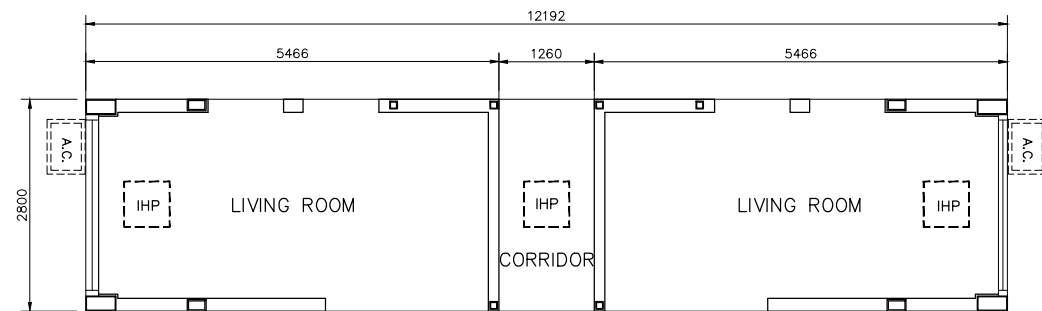


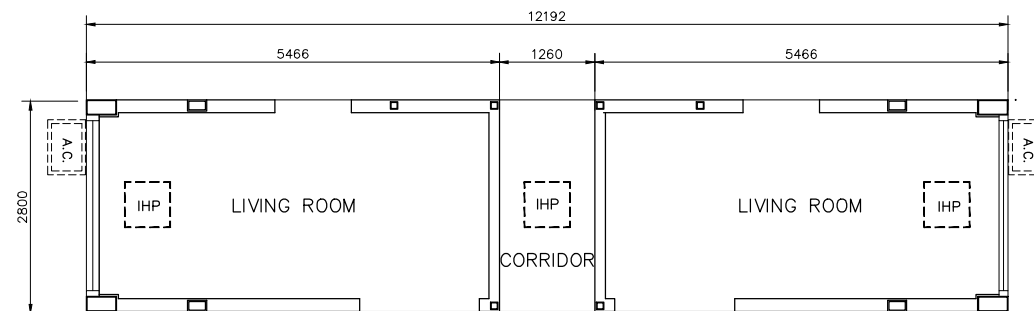
TYPICAL MODULE PLAN
MODULE NO. 1



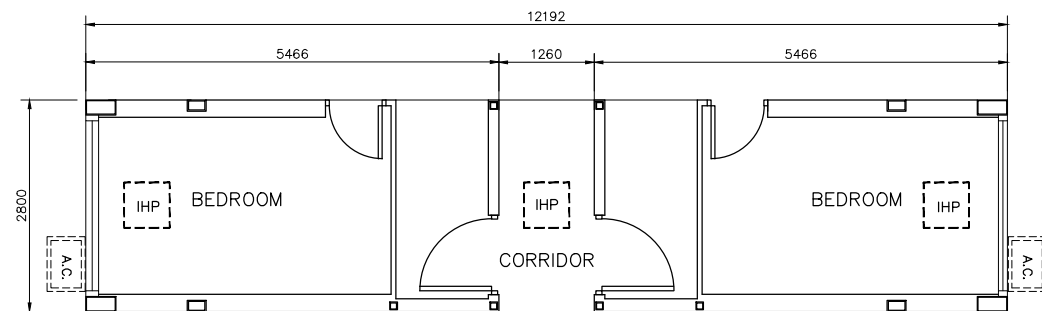
TYPICAL MODULE PLAN
MODULE NO. 4



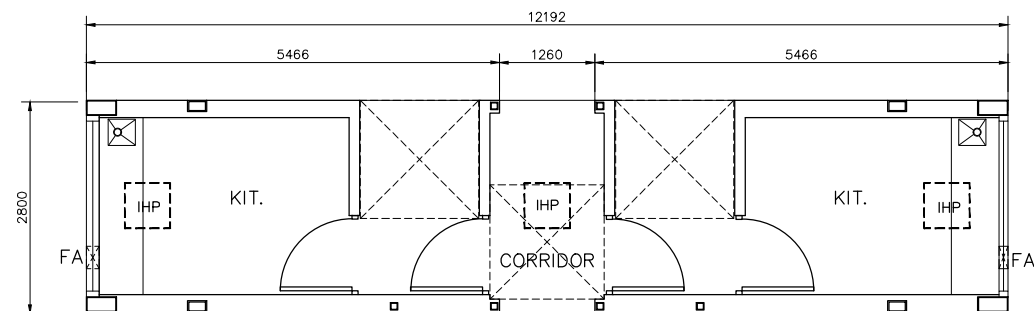
TYPICAL MODULE PLAN
MODULE NO. 2




TYPICAL MODULE PLAN
MODULE NO. 5



TYPICAL MODULE PLAN
MODULE NO. 3



TYPICAL MODULE PLAN
MODULE NO. 6

B.D. REF. 80/MC/210501		
F.S.D. REF.		
NOTES: 1. DO NOT SCALE THIS DRAWING. 2. FIGURED DIMENSIONS ARE TO BE FOLLOWED. 3. READ THIS DRAWING IN CONJUNCTION WITH THE ARCHITECTS SPECIFICATION & CONDITION OF CONTRACT. 4. THIS DRAWING SHALL NOT BE USED FOR CONSTRUCTION PURPOSES UNLESS OTHERWISE CERTIFIED. 5. THIS DRAWING AND DESIGN ARE COPYRIGHT AND NO PORTION MAY BE REPRODUCED WITHOUT THE WRITTEN PERMISSION OF THE ARCHITECTS.		
REV.	DATE	DESCRIPTION
-	24-06-2022	SIMPLIFIED PLAN
MIC SUPPLIER		
KONWO MODULAR HOUSE LIMITED		
ARCHITECT		
 近建築 RM 105, 1/F, ENTERPRISE BLDG, 228-230 QUEEN'S RD CENTRAL, HONG KONG. T: 3488 9878 F: 3511 6222		
STRUCTURAL ENGINEER		
Wilson & Associates Ltd 張耀新建築工程師有限公司 ROOM 1207, NEW TECH PLAZA, 34 TAI YAU STREET, HONG KONG. TEL: 3619-0932 FAX: 3619-0931		
BUILDING SERVICES ENGINEER		
AP		
RSE		
PROJECT:		
STEEL MIC SYSTEM 30 STOREYS RESIDENTIAL BUILDING (MODEL NO. KW-MIC-STEEL-03)		
DRAWING TITLE:		
SIMPLIFIED PLAN MODULE NO. 1, 2, 3, 4, 5, 6		
DRAWN BY	SCALE	
JY	1:100@A3	
CHECKED BY	DATE	
DT	24 JUN 2022	
JOB No.	DWG. NO.	REVISION
P-128	MIC-16	
B/D'S OFFICIAL USE		