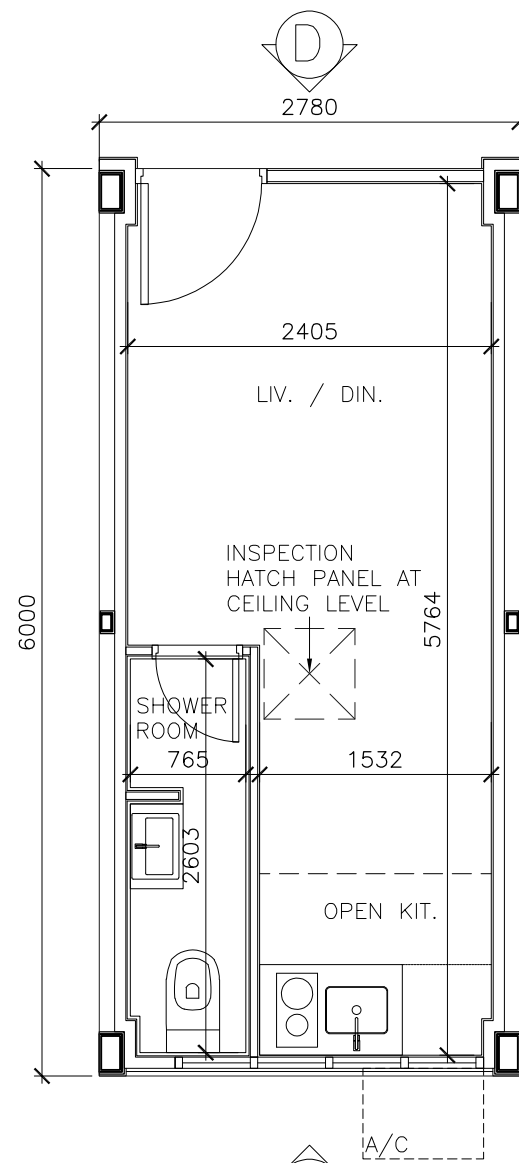
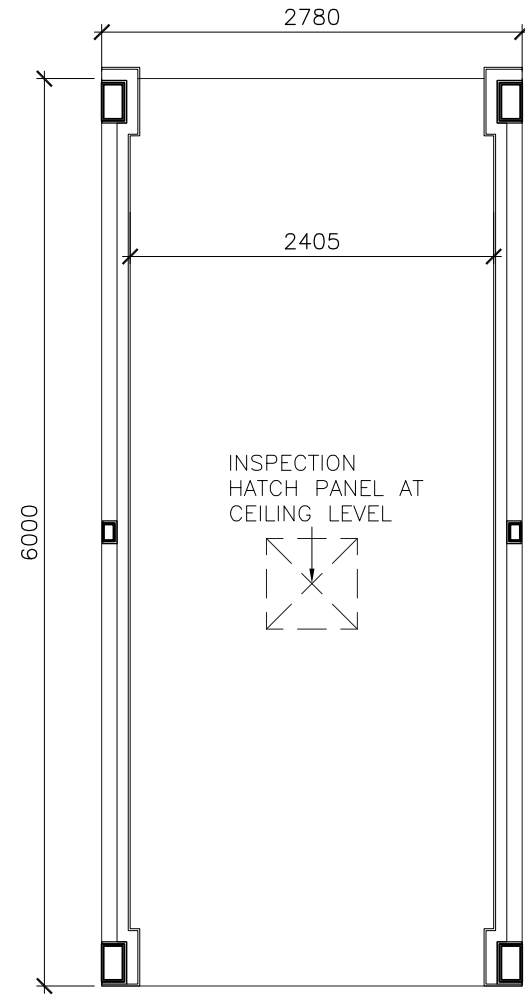


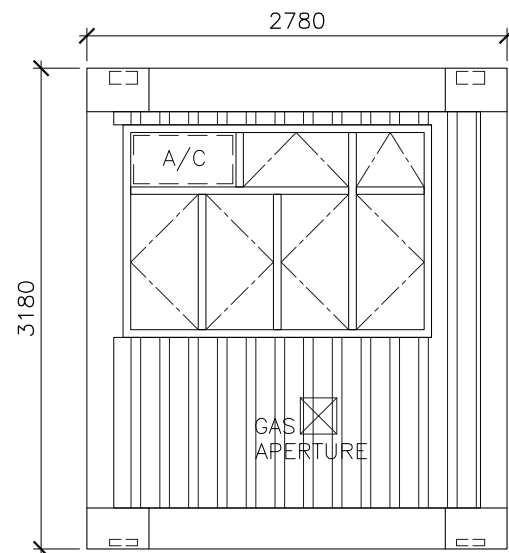
TYPICAL MODULE PLAN
MODULE NO. 1



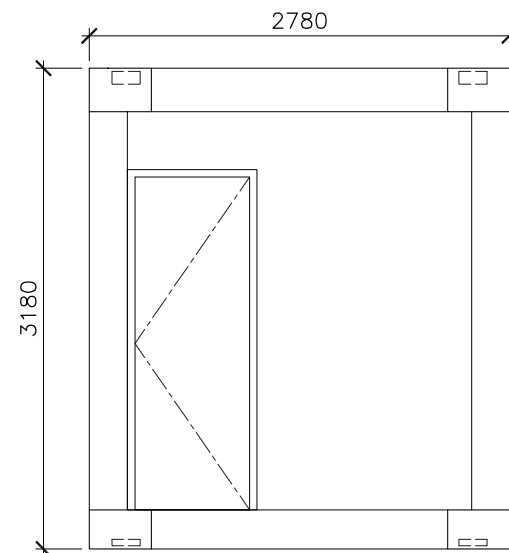
TYPICAL MODULE PLAN
MODULE NO. 2



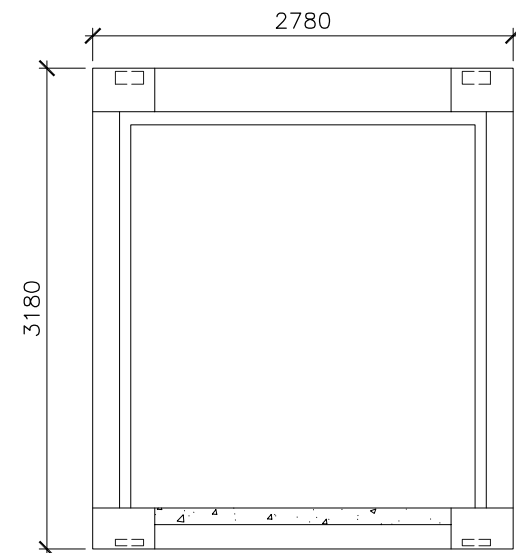
TYPICAL MODULE PLAN
MODULE NO. 3



ELEVATION A
(ELEVATION C SAME AS
ELEVATION A BUT MIRROR)



ELEVATION B
(ELEVATION D SAME AS
ELEVATION B BUT MIRROR)



ELEVATION E

Rev.No.	Date	Particulars

CHAO CHI MAN
AUTHORIZED PERSON—LIST OF ARCHITECTS.

MANUFACTURER

MOCON
[M]iC
現代營造
組裝合成

Unit A, 20/F.,
Tung Lee Commercial Building,
91-97 Jervois Street, H.K. Tel.: 27020313
Fax: 27020031

ARCHITECT

樑安建築師有限公司
L & N Architects Ltd.

ROOM 1203-1204, 12/F BELGIAN BANK BUILDING,
NOS. 721-725 NATHAN ROAD, KOWLOON
TEL : 3422 3082 FAX : 3428 2269

STRUCTURAL ENGINEER

Wilson & Associates Ltd
張耀新建築工程師有限公司

BUILDING SERVICES ENGINEER

RICHMOND CONSULTING
ENGINEERS

10A Contempo Place, 81 Hung To Road, Kwan Tong, Kowloon
Tel: (852) 2359 3313, Fax: (852) 2535 5793

Job Title Job No.
PROPOSED PRE-ACCEPTANCE OF
6-STOREY MIC RESIDENTIAL BLOCK

Drawing Title
TYPICAL MODULE PLANS AND ELEVATIONS
MODULE NO.1, 2 AND 3

Scale 1:50@A3	Date Drawn 5/2023
Drawn By SH	Checked By CM
Drawing No. GP - 10	Rev. No.

APPROVED CHOP

Do not scale drawing. Figured dimensions are to be followed.
Read this drawing in conjunction with all other relevant
drawing and specification. The architect shall be notified
immediately of any discrepancy found therein.

This drawing shall not be used for construction purposes
unless otherwise certified. The contractor shall verify all
dimensions on site prior to commencement of work.