

COMPOSITE WALL DETAIL BETWEEN MIC MODULES PATENTED TO TW-ASIA UNDER HONG KONG PATENT NO. HK1244857B & HK1244858B, EUROPEAN PATENT NO. 3263795 & CHINA PATENT NO. 3779537

AUTHORIZED PERSON & PROJECT ARCHITECT:



呂元祥建築師事務所

STRUCTURAL ENGINEER & BUILDING SERVICE ENGINEER:



MIC CONSULTANT:



Check all measurements on site. Do not scale off drawings.

This drawing is to be read in conjunction with the specification and any discrepancies are to be immediately reported to the Architect.

This drawing remains the copyright property of the Architect and is not to be reproduced in whole or in part without permission of the Architect.

Project Title

PROPOSED IN-PRINCIPLE ACCEPTANCE SUBMISSION OF CONCRETE MIC

Drawing Title

TYPICAL FLOOR PLAN (TYPE A, TYPE B)

Drawn By TWS Date 26/01/2022

Checked By DAW Date 26/01/2022

Approved By CPC Date 26/01/2022

Project No. - - Issue Date 26/01/2022

Cad File No. - -

Scale - -

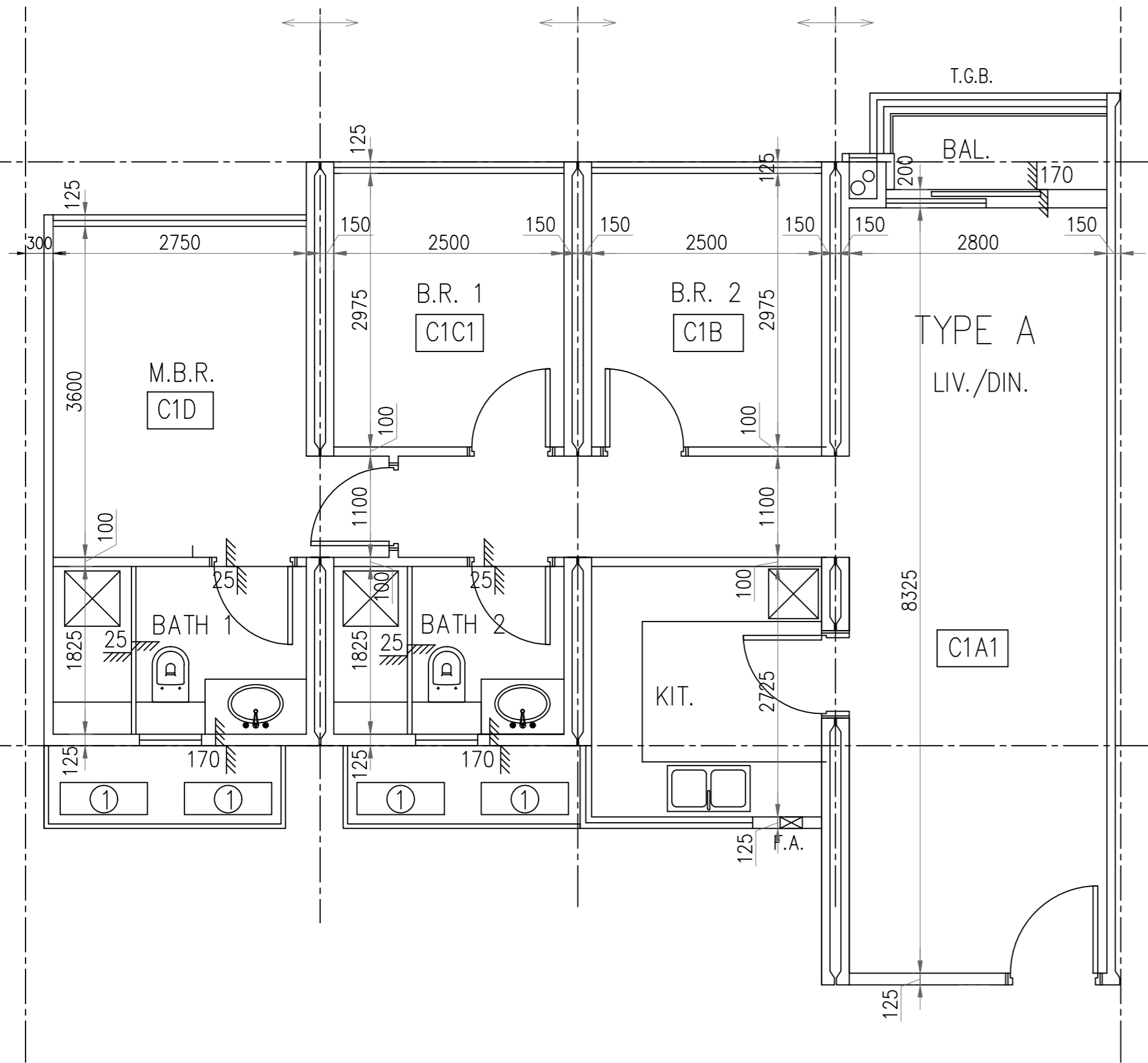
Drawing No. - -

AP's Signature

CHUI Pak-Chung, Patrick  
Authorized Person (Architect)

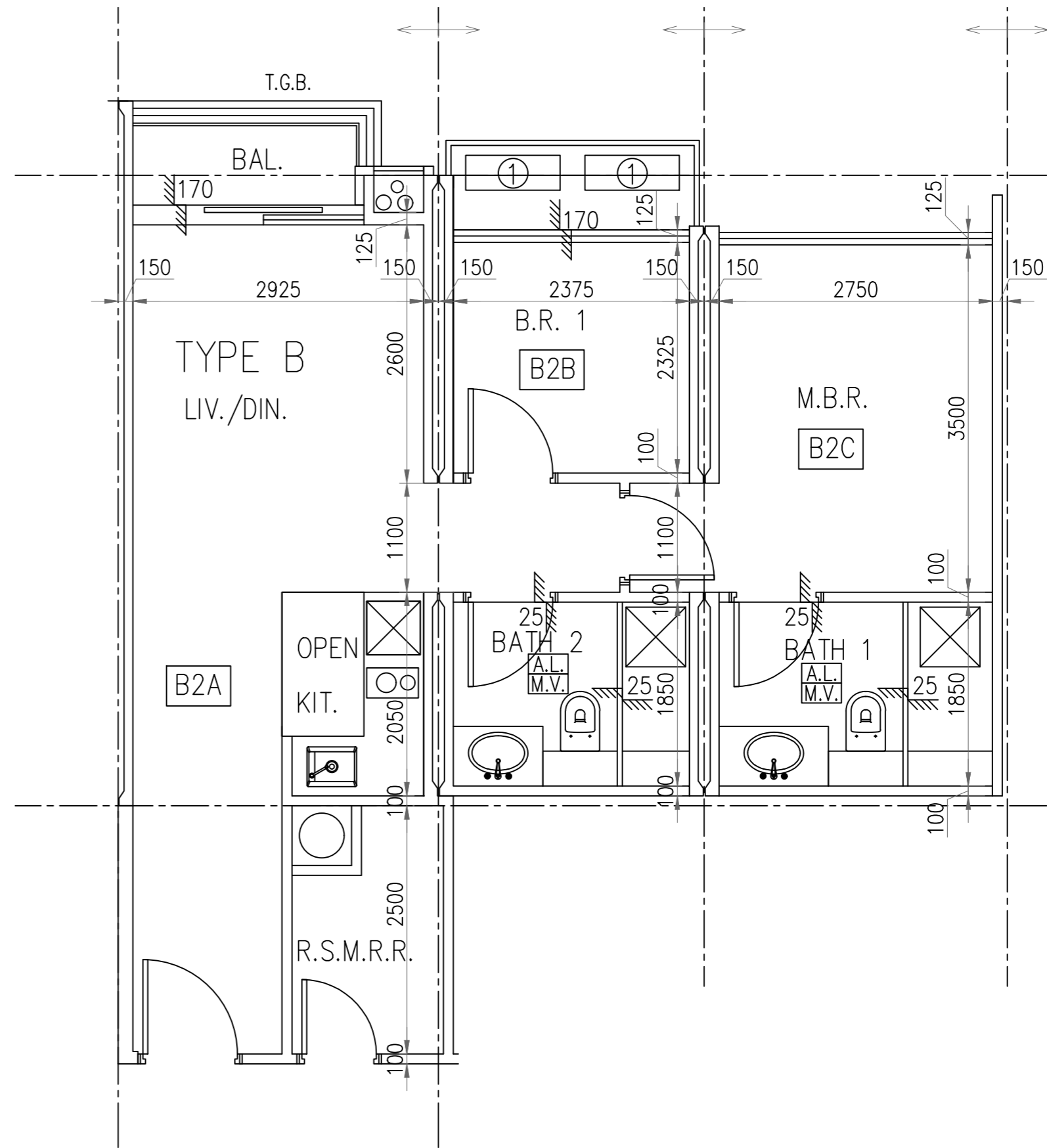
Drawing Purpose

**Buildings Department**



**TYPE A – TYPICAL FLOOR PLAN**

SCALE: 1:50



**TYPE B – TYPICAL FLOOR PLAN**

SCALE: 1:50

COMPOSITE WALL DETAIL BETWEEN MIC MODULES PATENTED TO TW-ASIA UNDER HONG KONG PATENT NO. HK1244857B & HK1244858B, EUROPEAN PATENT NO. 3263795 & CHINA PATENT NO. 3779537

AUTHORIZED PERSON & PROJECT ARCHITECT:



呂元祥建築師事務所

STRUCTURAL ENGINEER & BUILDING SERVICE ENGINEER:



MIC CONSULTANT:



Check all measurements on site. Do not scale off drawings.

This drawing is to be read in conjunction with the specification and any discrepancies are to be immediately reported to the Architect.

This drawing remains the copyright property of the Architect and is not to be reproduced in whole or in part without permission of the Architect.

Project Title

PROPOSED IN-PRINCIPLE ACCEPTANCE SUBMISSION OF CONCRETE MIC

Drawing Title

TYPICAL FLOOR PLAN (TYPE C, TYPE D)

Drawn By TWS Date 26/01/2022

Checked By DAW Date 26/01/2022

Approved By CPC Date 26/01/2022

Project No. -- Issue Date 26/01/2022

Cad File No. --

Scale

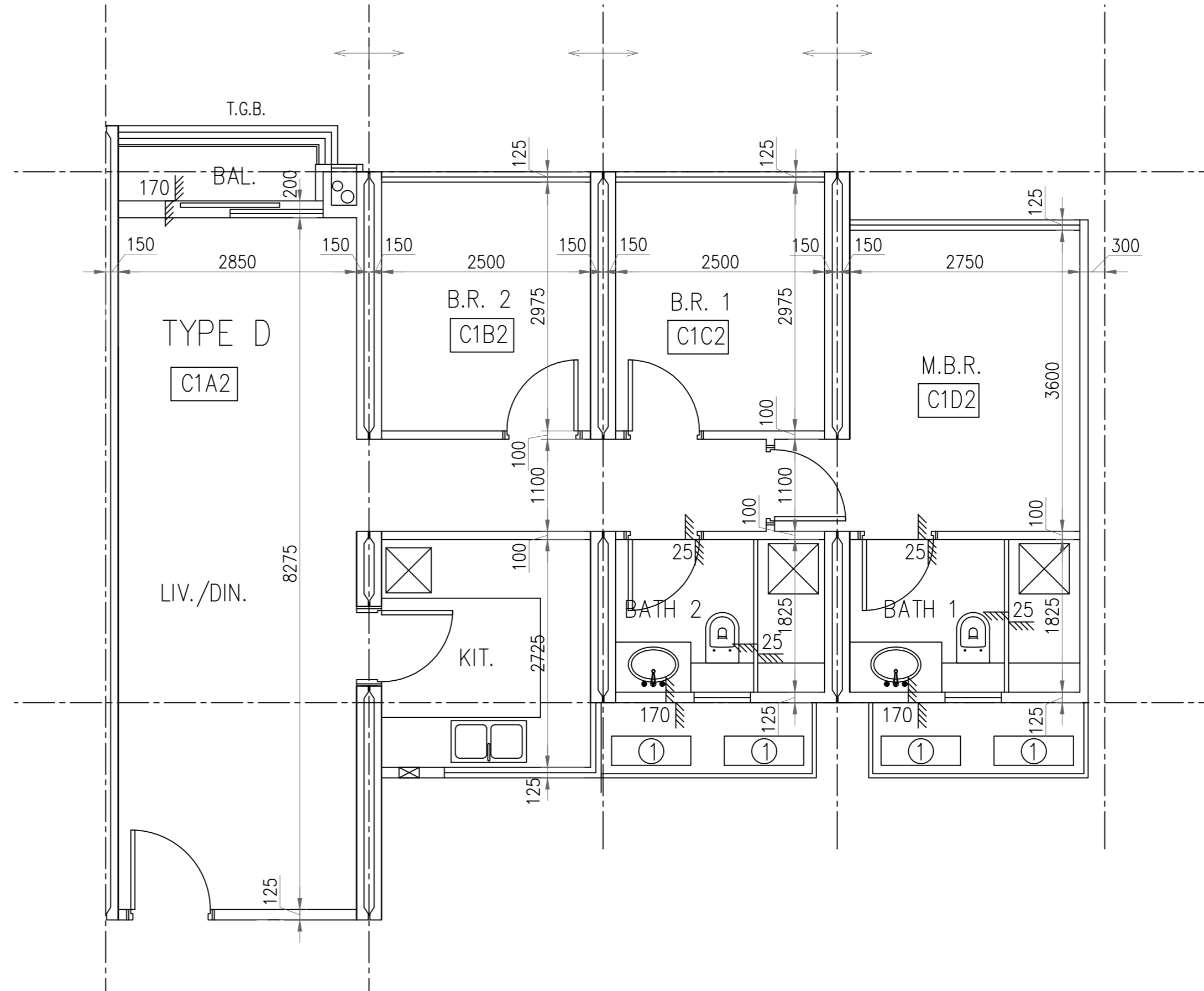
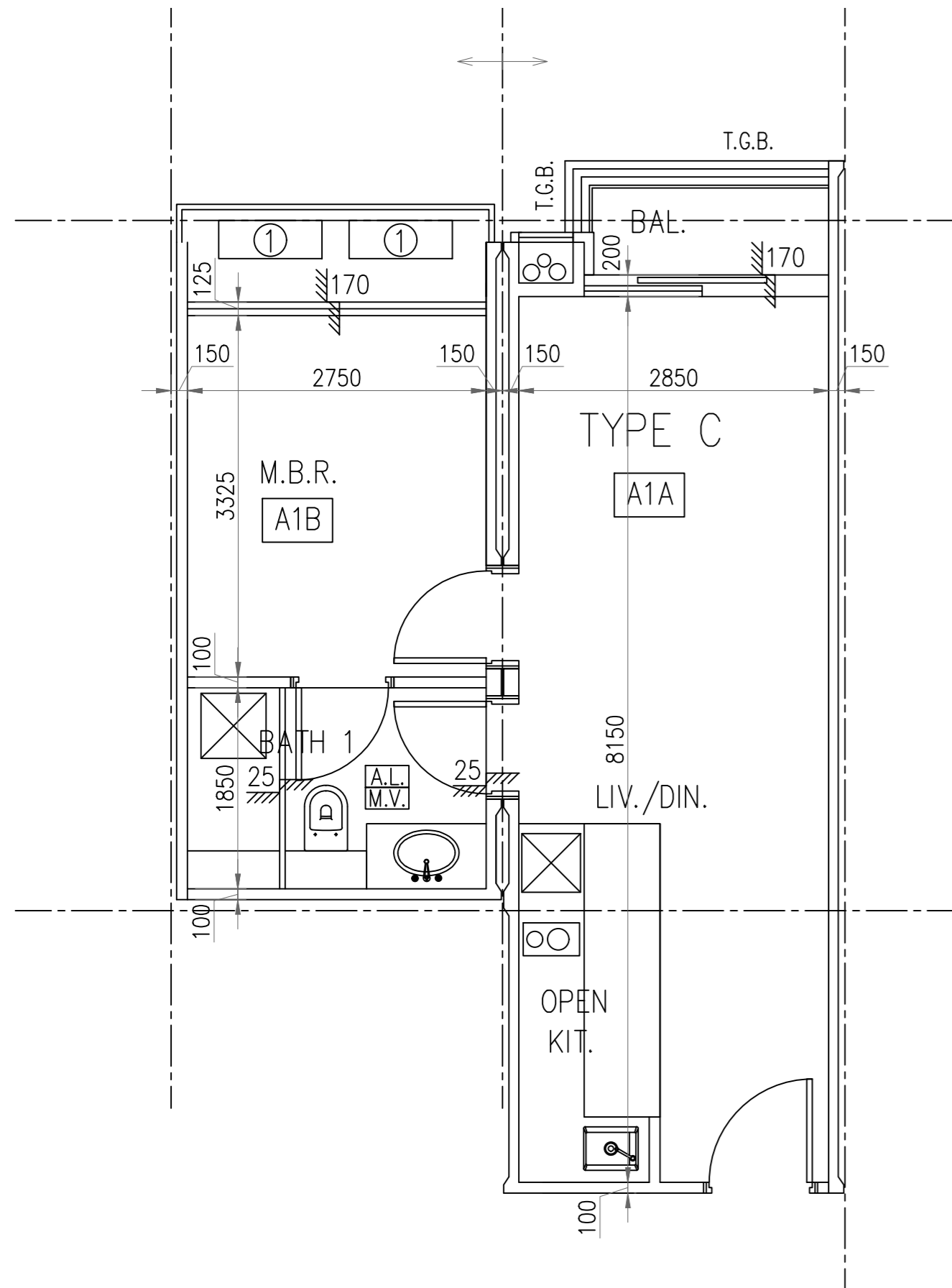
Drawing No.

AP's Signature

CHUI Pak-Chung, Patrick  
Authorized Person (Architect)

Drawing Purpose

**Buildings Department**



COMPOSITE WALL DETAIL BETWEEN MIC MODULES PATENTED TO TW-ASIA UNDER HONG KONG PATENT NO. HK1244857B & HK1244858B, EUROPEAN PATENT NO. 3263795 & CHINA PATENT NO. 3779537

AUTHORIZED PERSON & PROJECT ARCHITECT:



呂元祥建築師事務所

STRUCTURAL ENGINEER & BUILDING SERVICE ENGINEER:



MIC CONSULTANT:



Check all measurements on site. Do not scale off drawings.

This drawing is to be read in conjunction with the specification and any discrepancies are to be immediately reported to the Architect.

This drawing remains the copyright property of the Architect and is not to be reproduced in whole or in part without permission of the Architect.

Project Title

PROPOSED IN-PRINCIPLE ACCEPTANCE SUBMISSION OF CONCRETE MIC

Drawing Title

TYPICAL FLOOR PLAN (TYPE E, TYPE F)

Drawn By	TWS	Date	26/01/2022
Checked By	DAW	Date	26/01/2022
Approved By	CPC	Date	26/01/2022
Project No.	-	Issue Date	26/01/2022

Cad File No. -

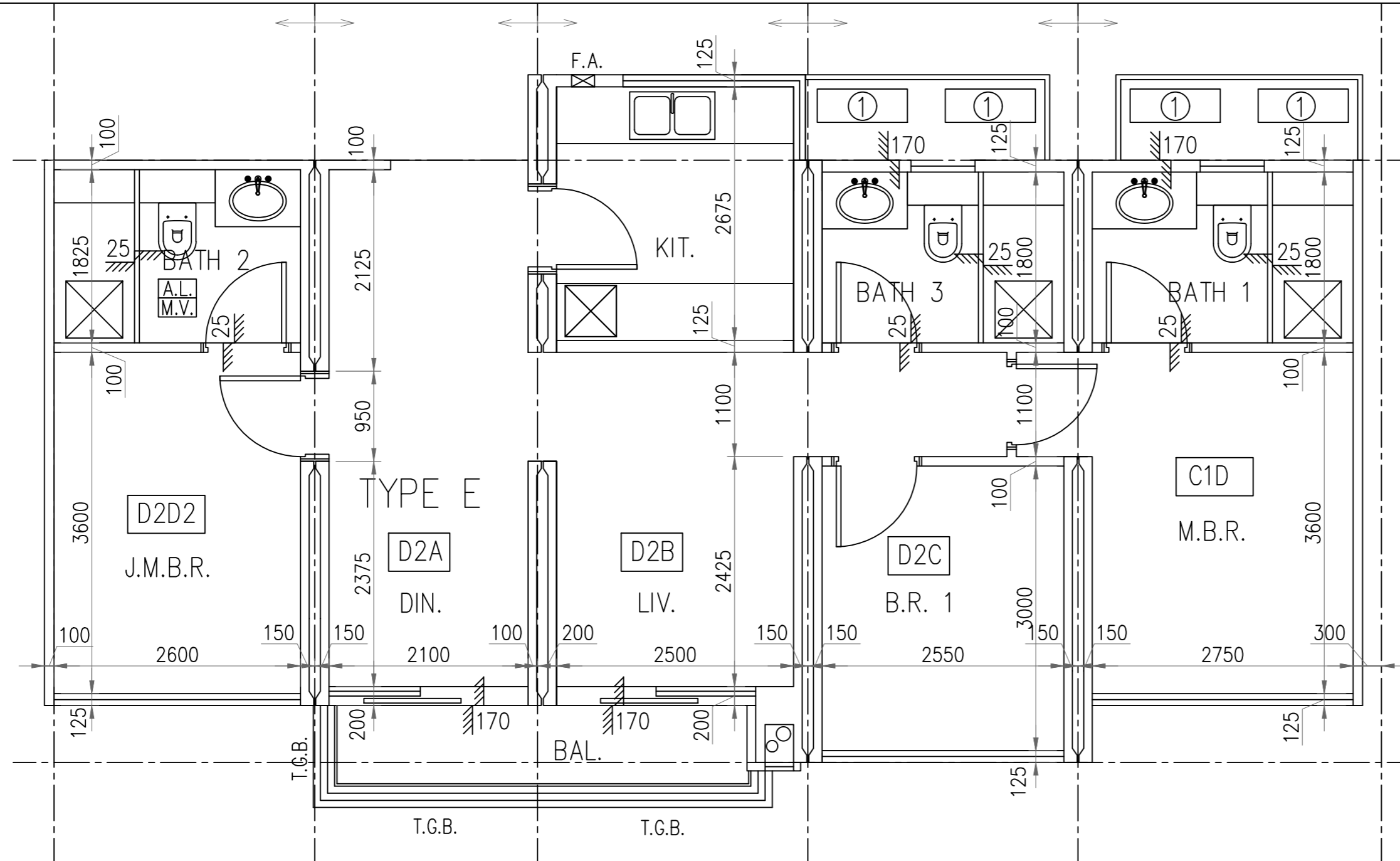
Scale

Drawing No.

AP's Signature

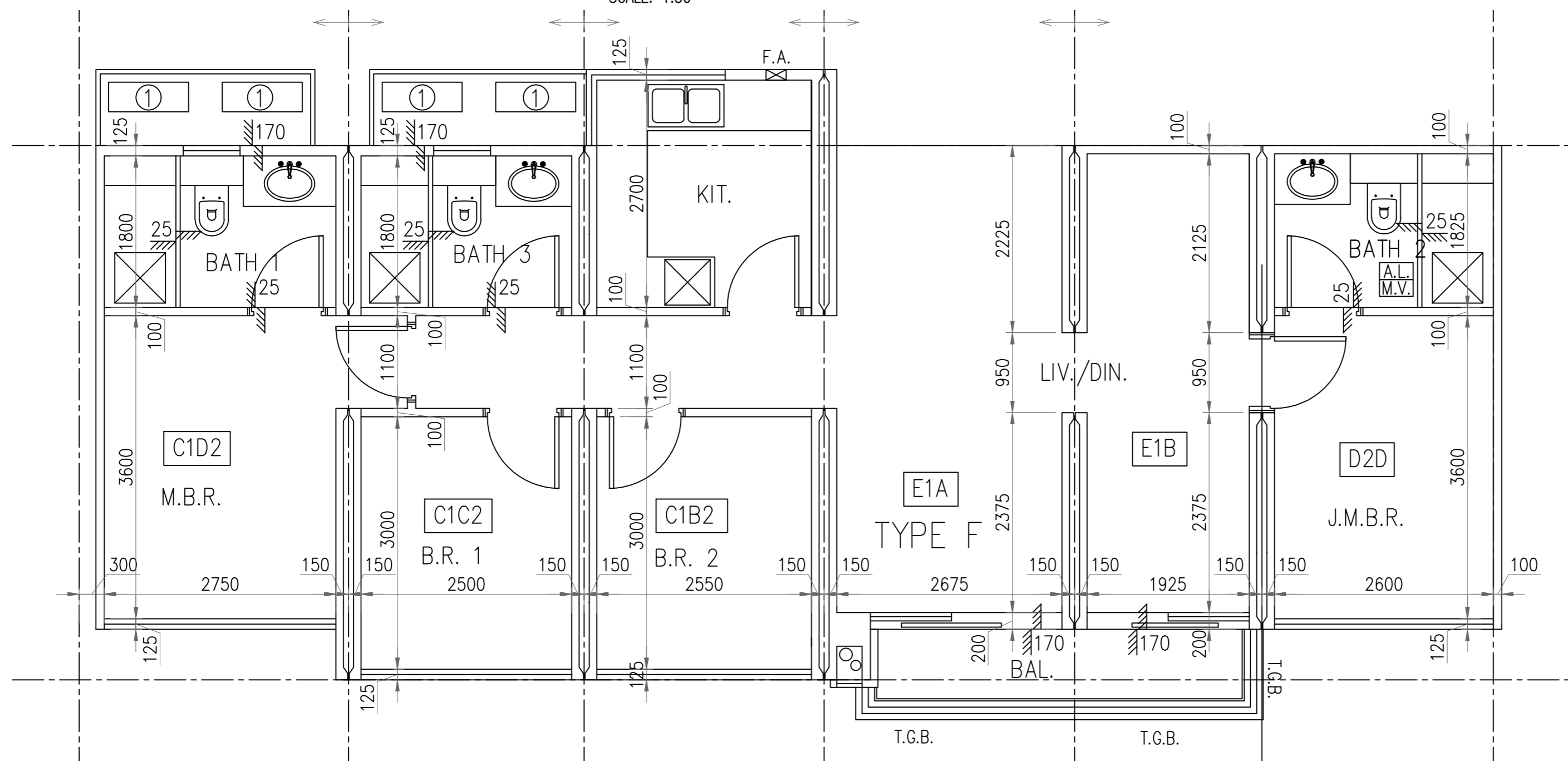
CHUI Pak-Chung, Patrick  
Authorized Person (Architect)

Drawing Purpose



**TYPE E – TYPICAL FLOOR PLAN**

SCALE: 1:50



**TYPE F – TYPICAL FLOOR PLAN**

SCALE: 1:50