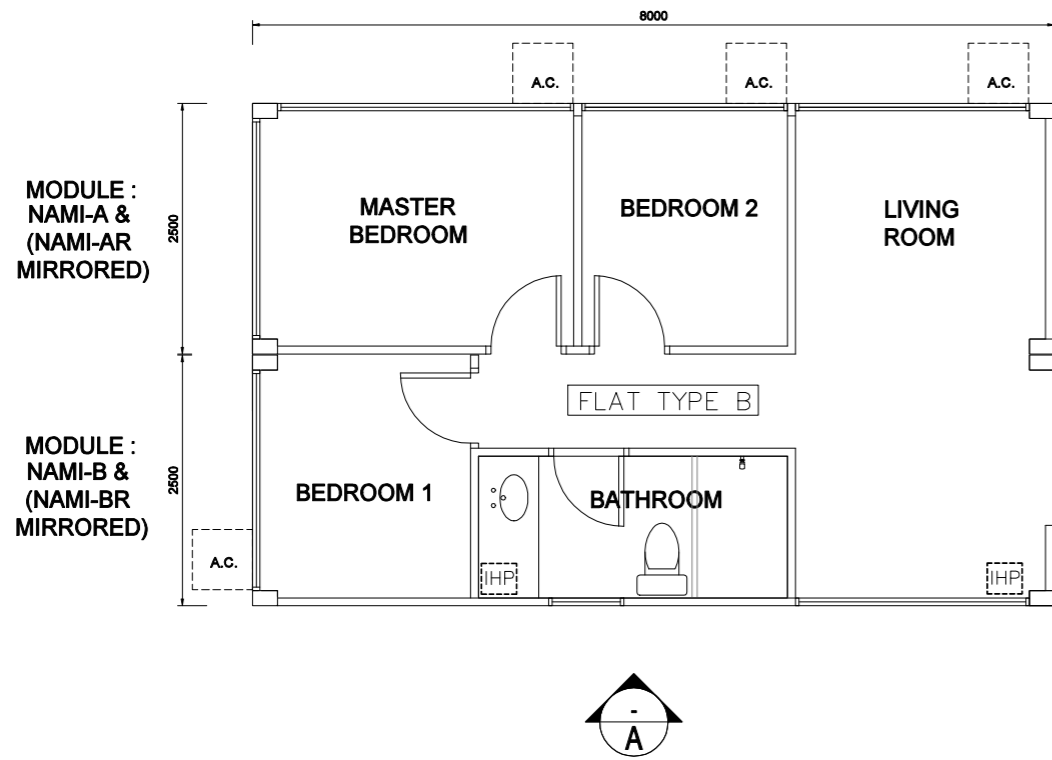


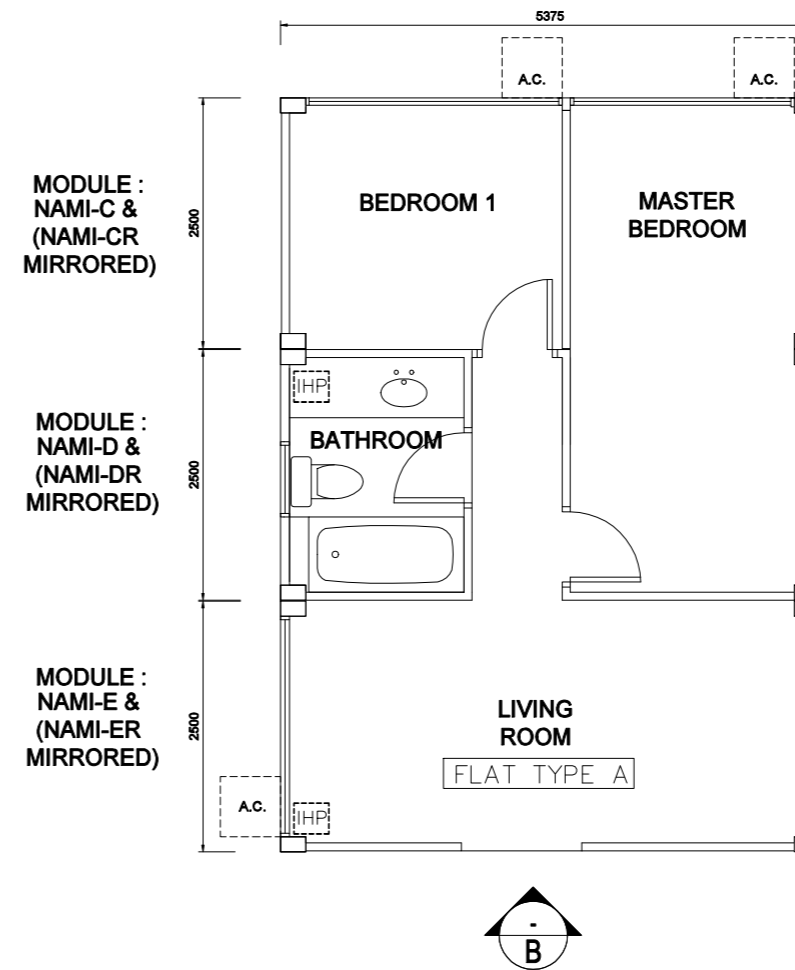
LEGEND:

- A.C. AIR-CONDITIONER SUPPORTING FRAME
- IHP INSPECTION HATCH PANEL



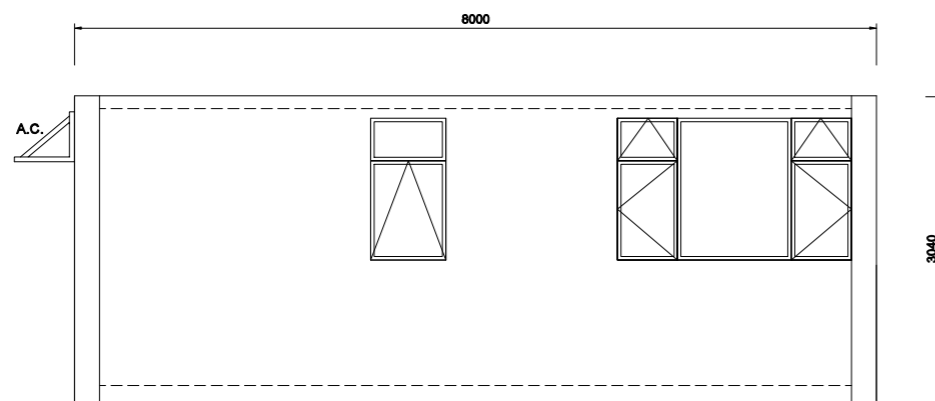
TYPICAL MODULE PLAN

Module No.: NAMI-A & NAMI-B & NAMI-AR & NAMI-BR (MIRRORED)



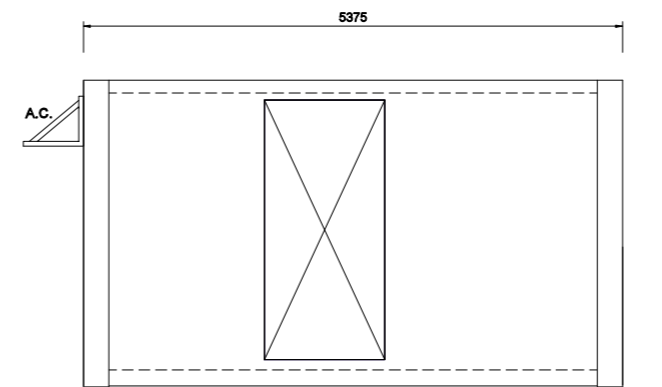
TYPICAL MODULE PLAN

Module No.: NAMI-C & NAMI-D & NAMI-E & NAMI-CR & NAMI-DR & NAMI-ER (MIRRORED)






ELEVATION A

Module No.: NAMI-B & NAMI-BR (MIRRORED)



ELEVATION B

Module No.: NAMI-E & NAMI-ER (MIRRORED)

B.D. REF.		
F.S.D. REF.		
NOTES:		
1. DO NOT SCALE THIS DRAWING.		
2. FIGURED DIMENSIONS ARE TO BE FOLLOWED;		
3. READ THIS DRAWING IN CONJUNCTION WITH THE ARCHITECTS SPECIFICATION & CONDITION OF CONTRACT;		
4. THIS DRAWING SHALL NOT BE USED FOR CONSTRUCTION PURPOSES UNLESS OTHERWISE CERTIFIED;		
5. THIS DRAWING AND DESIGN ARE COPYRIGHT AND NO PORTION MAY BE REPRODUCED WITHOUT THE WRITTEN PERMISSION OF THE ARCHITECTS.		
REV.	DATE	DESCRIPTION
MIC SUPPLIER		
 Nano and Advanced Materials Institute Limited (NAMI)		
ARCHITECT		
 OIYN LIMITED FOR ARCHITECTS & ASSOCIATES <small>3/F, BLOCK A, CHEONG FAT FACTORY BUILDING, NO.265-271 UN CHAU STREET, KUN TSI, 940-1990 FAX: 350-1409 EMAIL ADDRESS: mo@oiyn.com.hk</small>		
STRUCTURAL ENGINEER		
 WSP Asia Ltd. <small>7/F, One Kowloon, 1 Wang Yam St, Kowloon Bay, Hong Kong WSP@wsp.com</small>		
AP		
RBE		
PROJECT:		
MODULAR INTEGRATED CONSTRUCTION (MIC) SYSTEM:		
Model Number: ITP02419NP002		
DRAWING TITLE:		
MODULE NO.:		
NAMI-A & NAMI-B & NAMI-C & NAMI-D & NAMI-E & NAMI-AR & NAMI-BR & NAMI-CR & NAMI-DR & NAMI-ER		
DRAWN BY	SCALE	
KP	1:75 (A3)	
CHECKED BY	DATE	
BF	11 FEB. 2022	
JOB No.	DWG. NO.	REVISION
A-1915	WP-01	-
BDS OFFICAL USE		