

B.D. REF. **BD/MIC/241102**

F.S.D. REF.

NOTES:
1. DO NOT SCALE THIS DRAWING.
2. FIGURED DIMENSIONS ARE TO BE FOLLOWED.

REV.	DATE	DESCRIPTION

MIC SUPPLIER
Bestfit Modular House Limited

ARCHITECT
. hongkong
. shanghai
. guangzhou
ben yeung & associates ltd.
Rm 1302, 13/F, Shun Kwong Commercial Building, 8 Des Voeux Road West, HK
Tel: (852) 3529 1291 Fax: (852) 3616 4407
E-mail: by@benyeung.com

STRUCTURAL ENGINEER

BUILDING SERVICES ENGINEER

AP

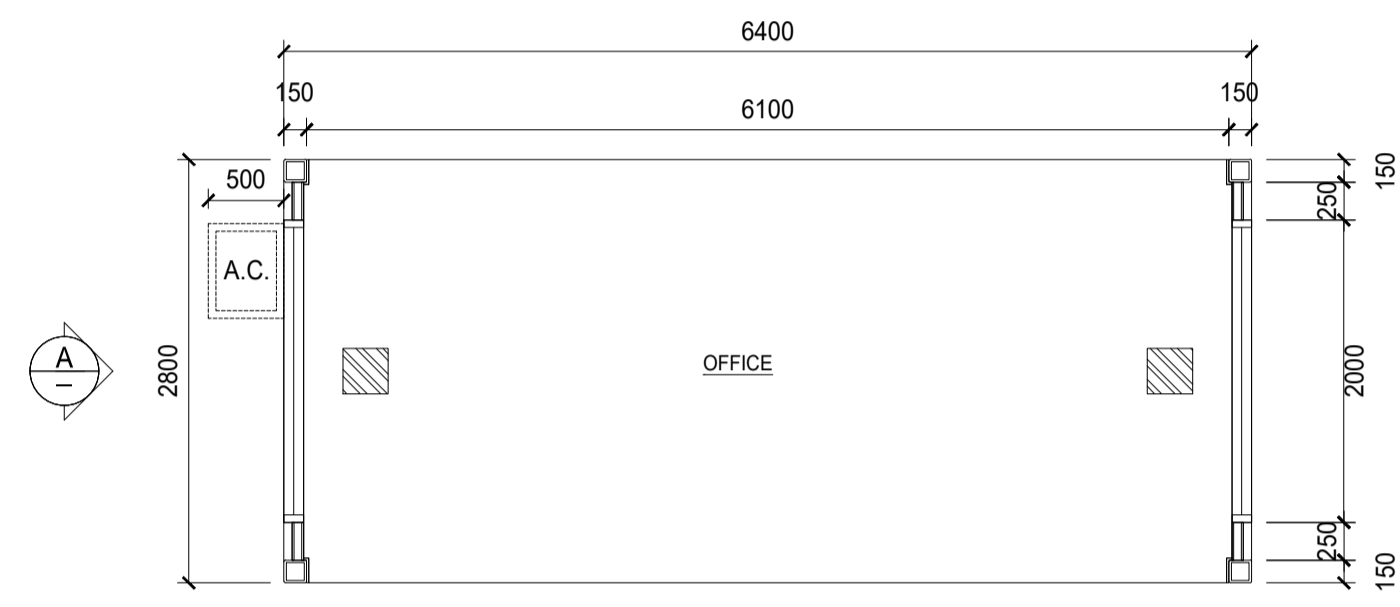
RSE

PROJECT:
**PROPOSED 3 - STOREY STEEL MODULAR
INTEGRATED CONSTRUCTION FOR OFFICE USE**

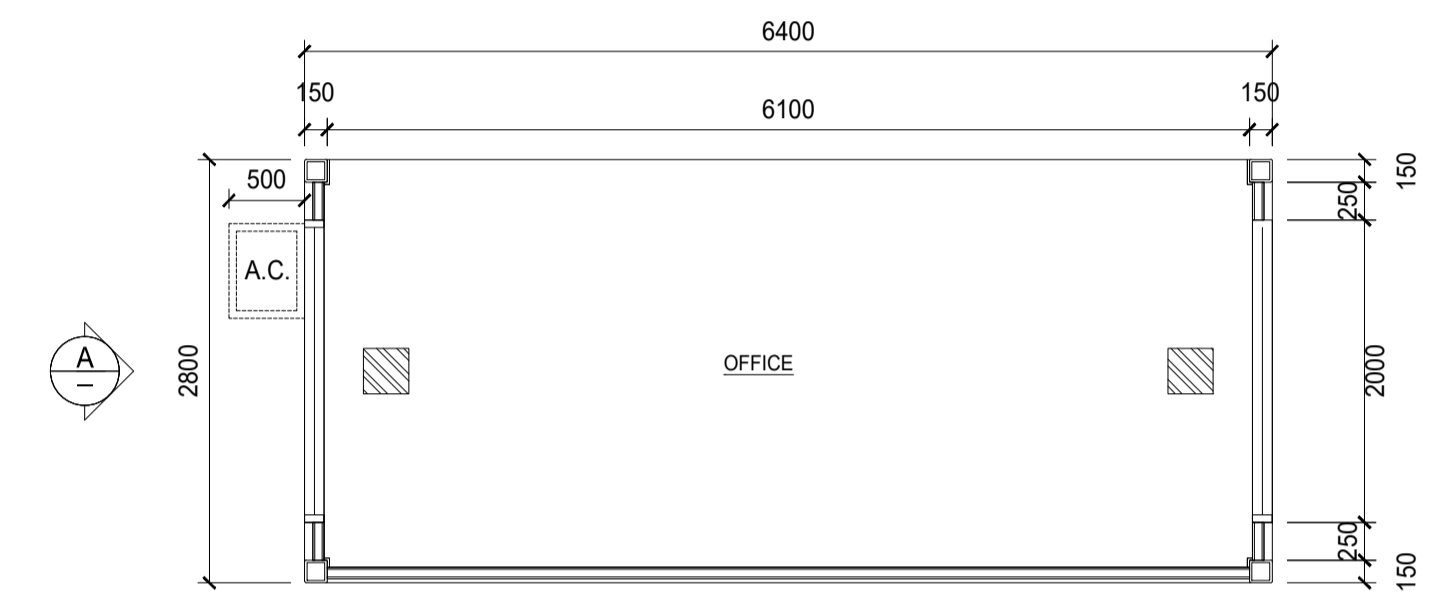
DRAWING TITLE:
**TYPICAL MODULE
TYPE A, TYPE B & TYPE C**

DRAWN BY KC	SCALE 1:50	
CHECKED BY AK	DATE NOV 2024	
JOB No. 61116	DWG. NO. GP301	REVISION

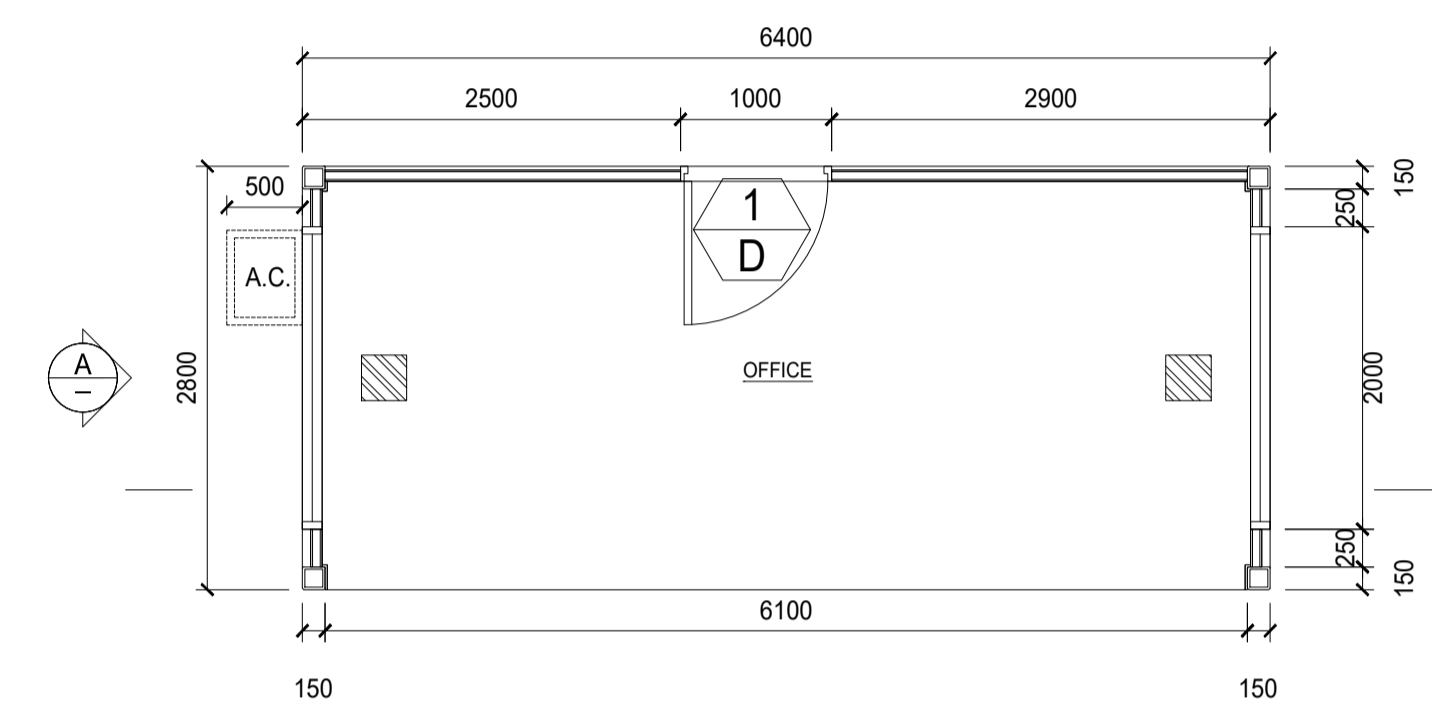
BD'S OFFICAL USE



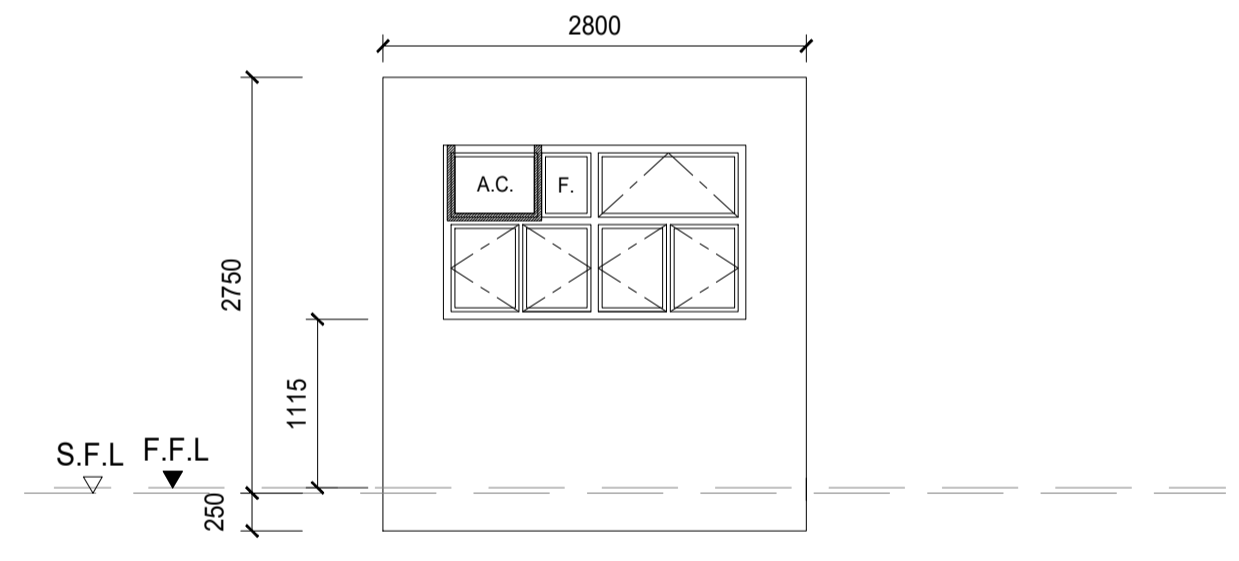
**MiC MODULE
TYPE A**



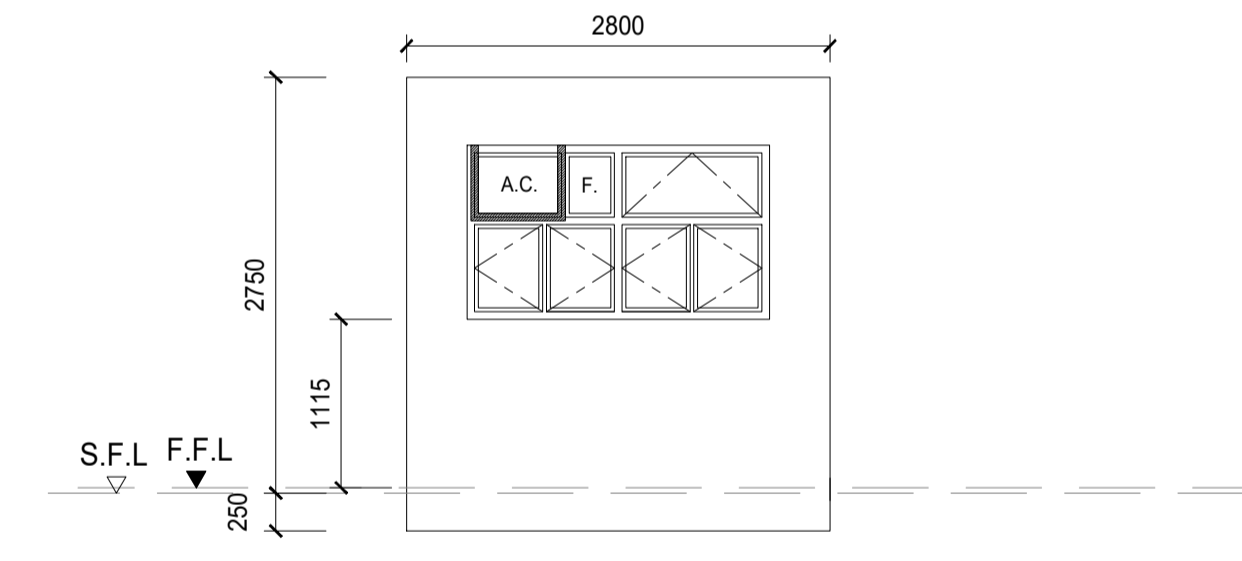
**MiC MODULE
TYPE B**



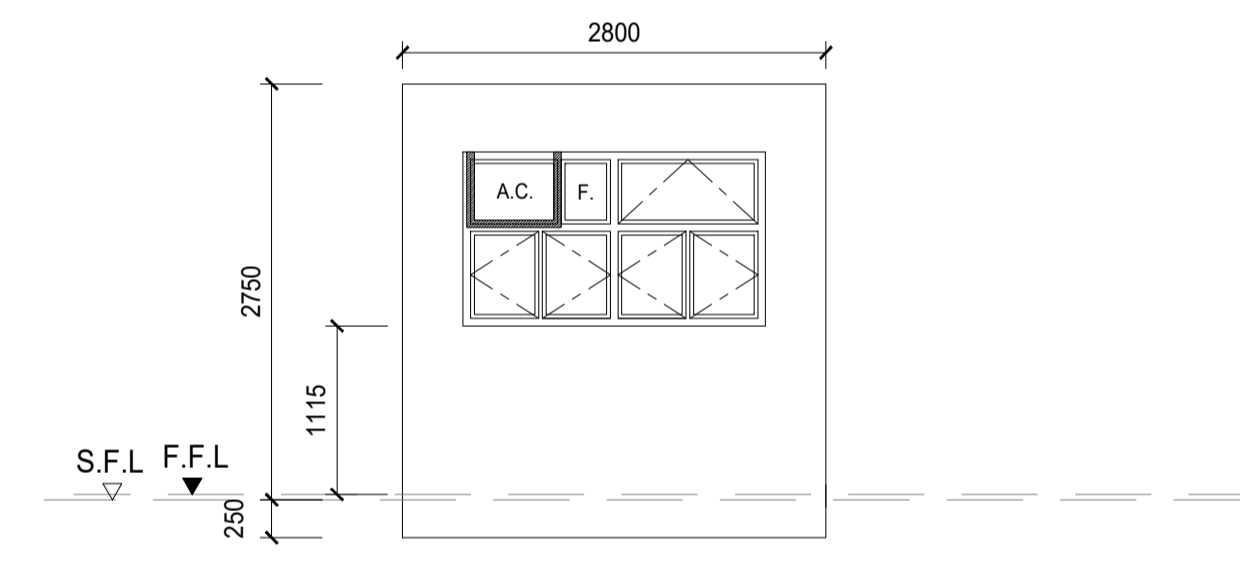
**MiC MODULE
TYPE C**



ELEVATION A



ELEVATION A



ELEVATION A

LEGEND

 FIRE RATED INSPECTION ACCESS HATCH AT CEILING LEVEL

