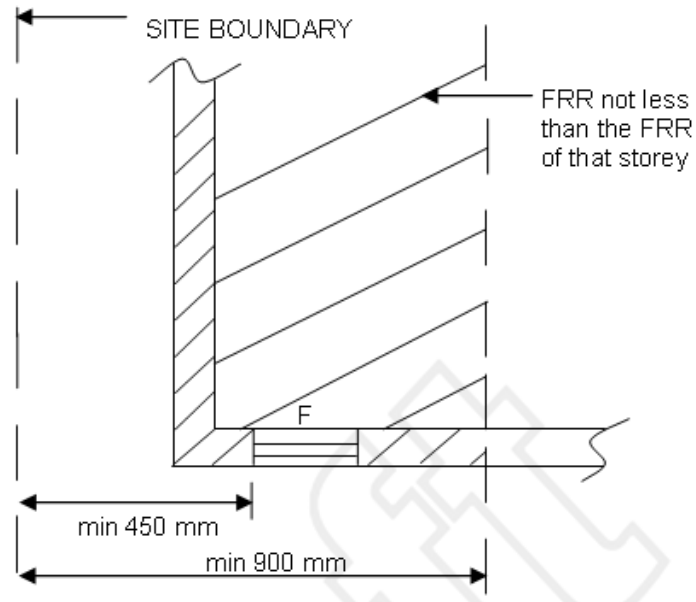
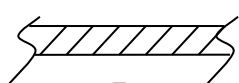
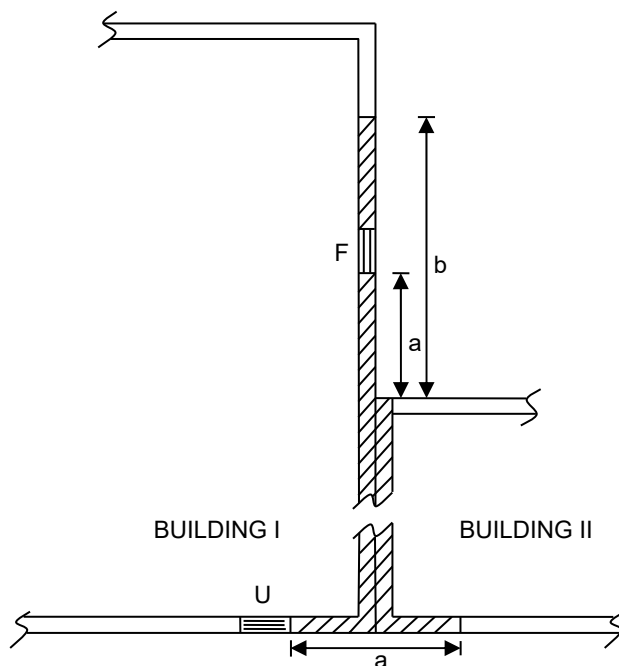


Diagram C1: Prevention of Fire Spread between Buildings (See Clauses C5.2 and C5.3)

Example (a): Buildings not on the same site (plan view)



Example (b): Buildings on the same site (plan view)



FRR of external walls \geq FRR of that storey

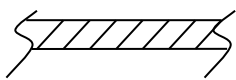
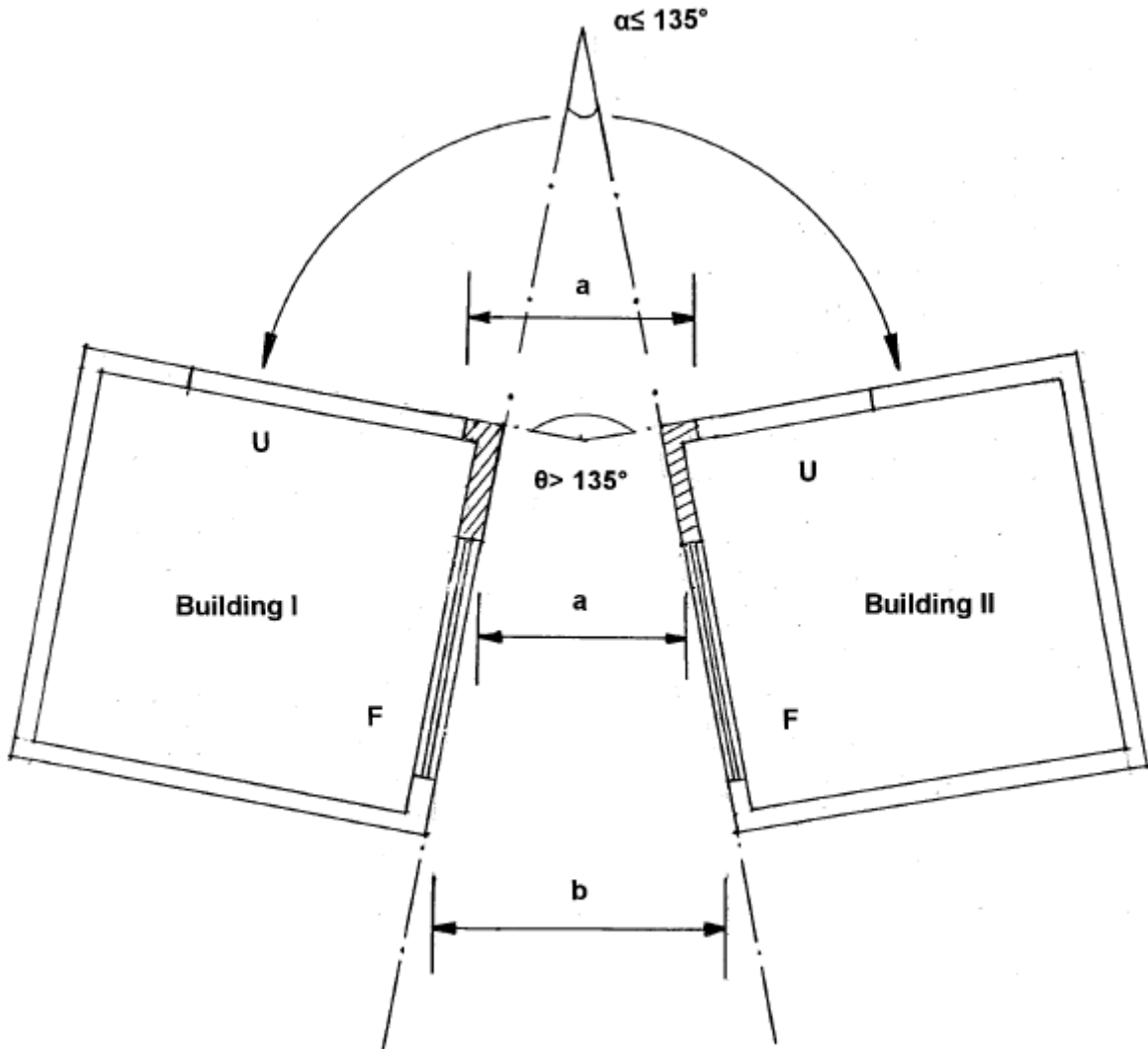
F fixed lights having an FRR not less than that of the storey

U unprotected openings

a min. 900mm

b min. 1800mm

Example (c): The minimum distance between unprotected openings of two buildings on the same site (plan view)



FRR of external walls \geq FRR of that storey

F Fixed lights having an FRR not less than that of the storey

U unprotected openings

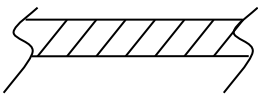
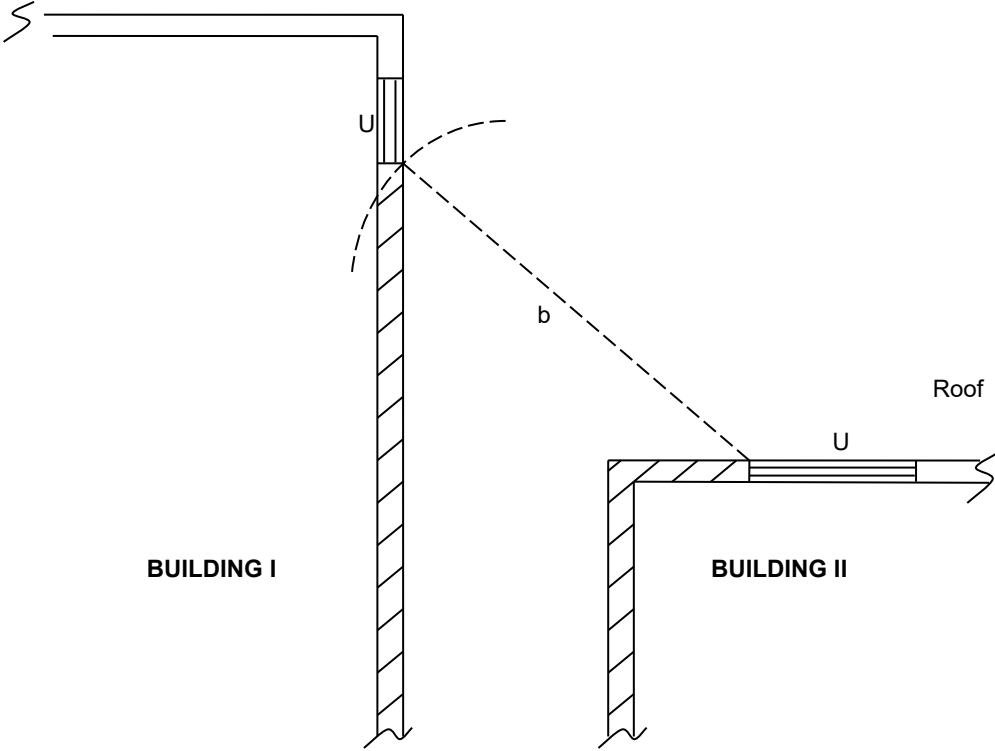
a min. 900mm

b min. 1800mm

θ The angle made between facades of two adjoining buildings $> 135^\circ$

α The angle made between facades of two adjoining buildings $\leq 135^\circ$

Example (d): The minimum distance between unprotected openings of two buildings
(Section view)



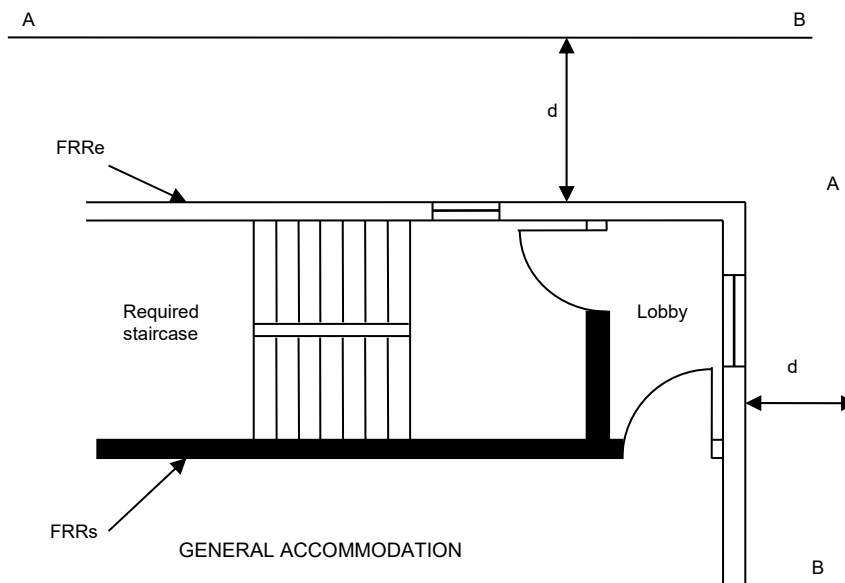
FRR of external walls/roof \geq FRR of that storey

U unprotected openings

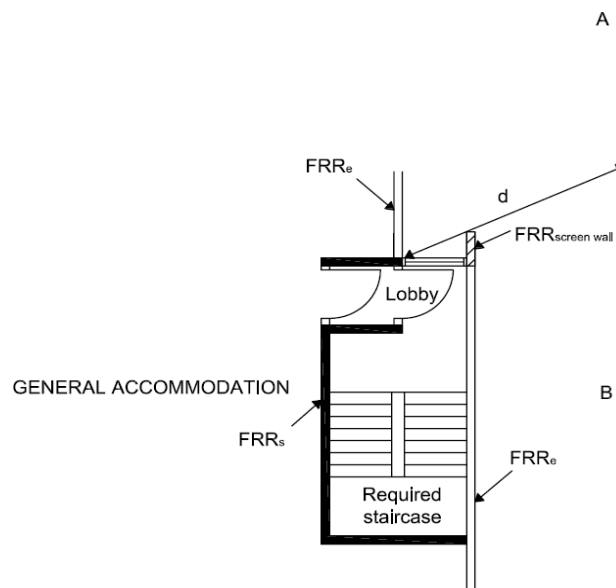
b min. 1800mm

Diagram C2: Openings at the External Walls of Required Staircases and Protected Lobbies (see Clause C9.7)

Example (a)



Example (b)



FRR_e : FRR of the external wall

FRR_s : FRR of the required staircase

FRR_{screen wall}: FRR of the screen wall \geq FRR_s

Where AB is:

- i. Opposite side of the street,
- ii. Common boundary with an adjoining site,
- iii. Any other external wall of FRR < FRR_e or unprotected opening of the same building
- iv. Any other building on the same site

External wall may be unprotected if $d > 6\text{m}$

External wall with FRR_e \geq FRR_s if $d \leq 6\text{m}$

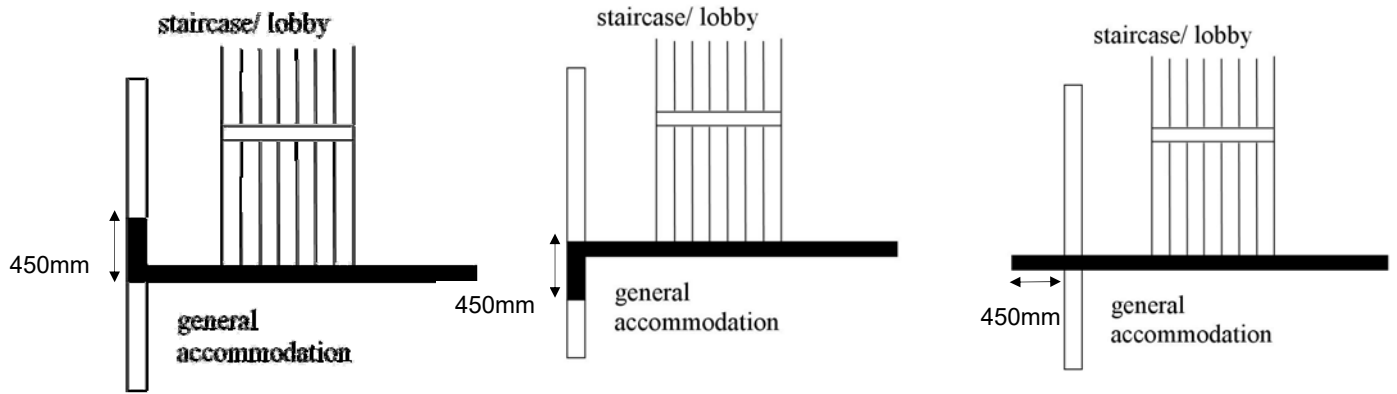
Openings: i) $d \leq 6\text{m}$ - Fixed light with FRR \geq FRR_e

- Door with FRR \geq FRR_e for:

- Discharge point at G/F
- Podium/Roof level

ii) $d > 6\text{m}$ - unprotected

Diagram C3: Separation between Required Staircase and Protected Lobbies from the General Accommodation (see Clause C9.8)

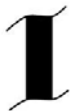


FRR_e : FRR of the external wall

FRR_s : FRR of the required staircase



External wall with FRR_e



Wall separating the staircase or lobby from the rest of the building with FRR_s

Where FRR_s ≥ FRR_e

Diagram C4: Vertical Barrier at Escalator (see Clause C10.1)

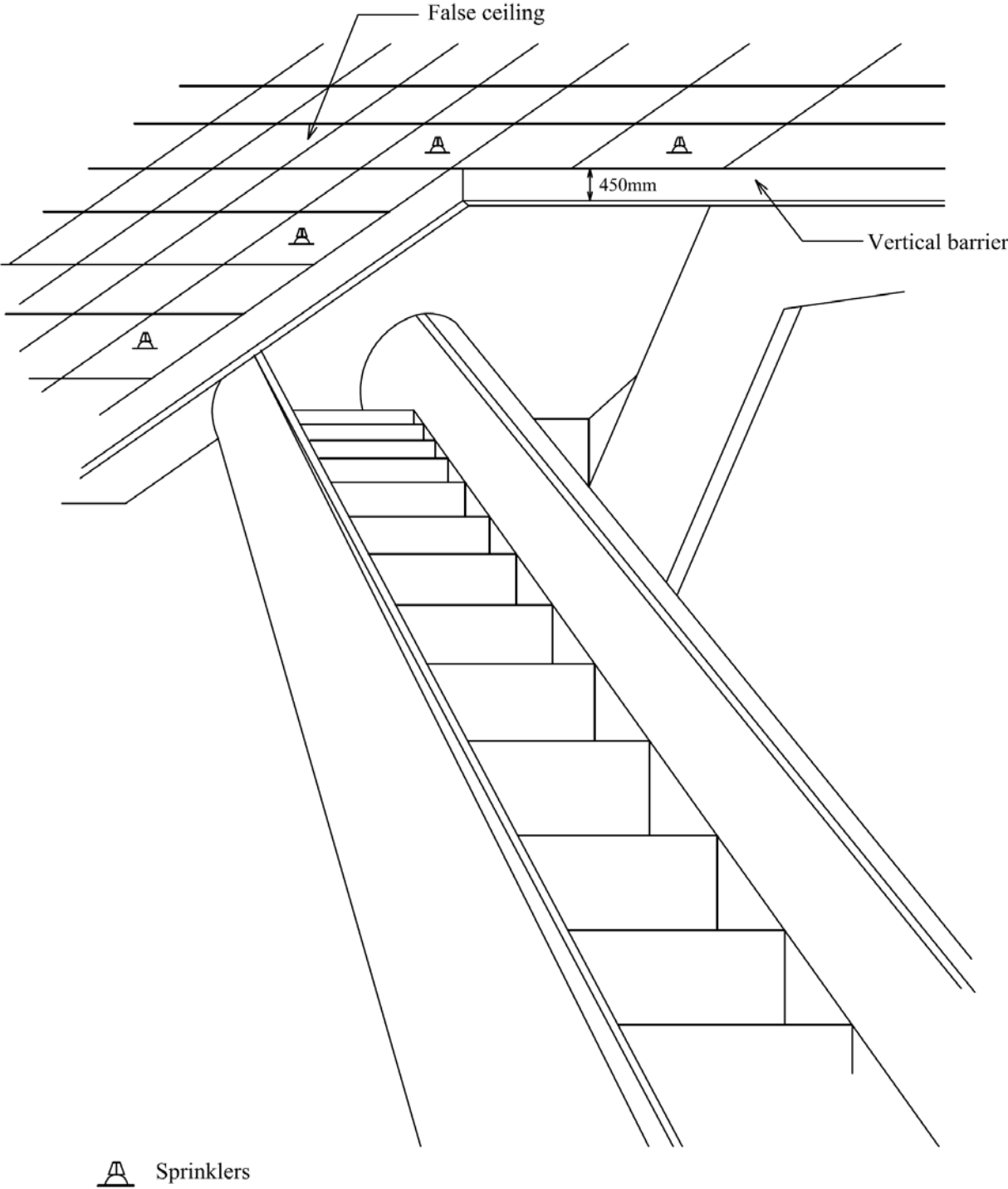


Diagram C5: Vertical Barrier at Atrium (See Clause C10.1)

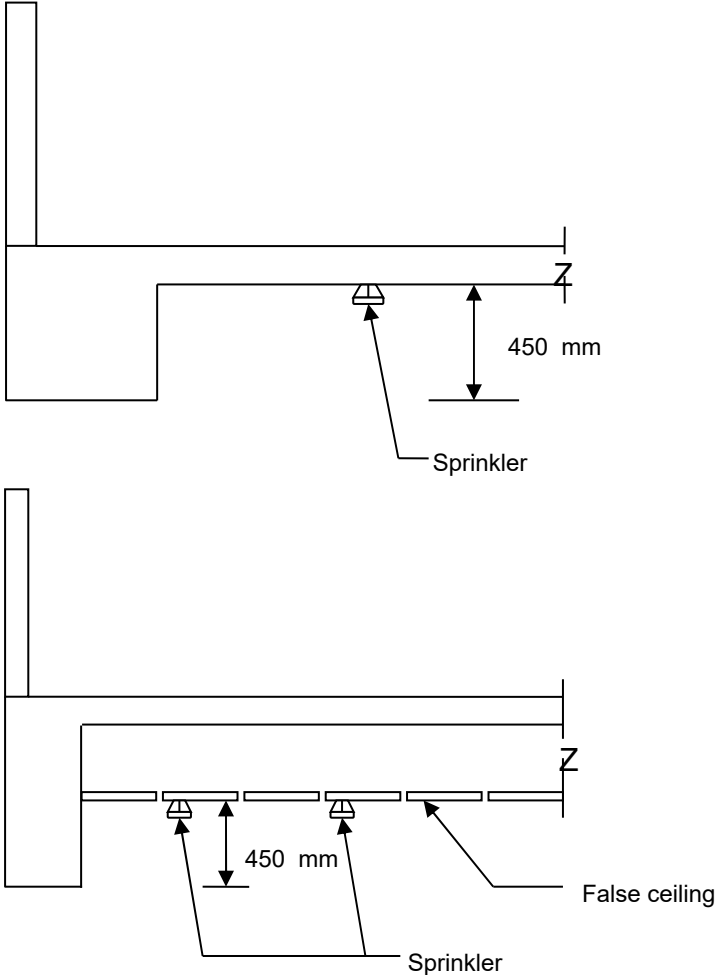
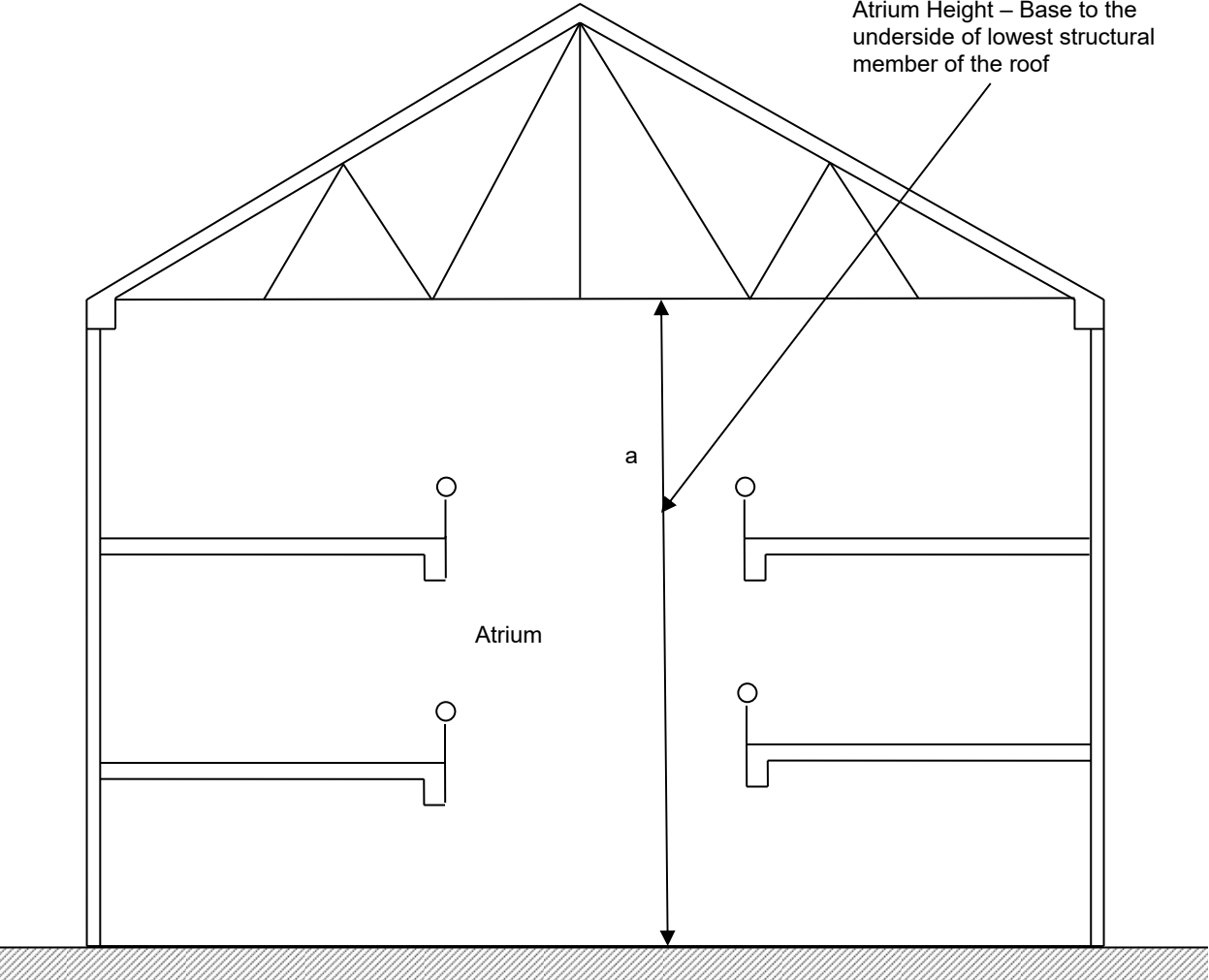


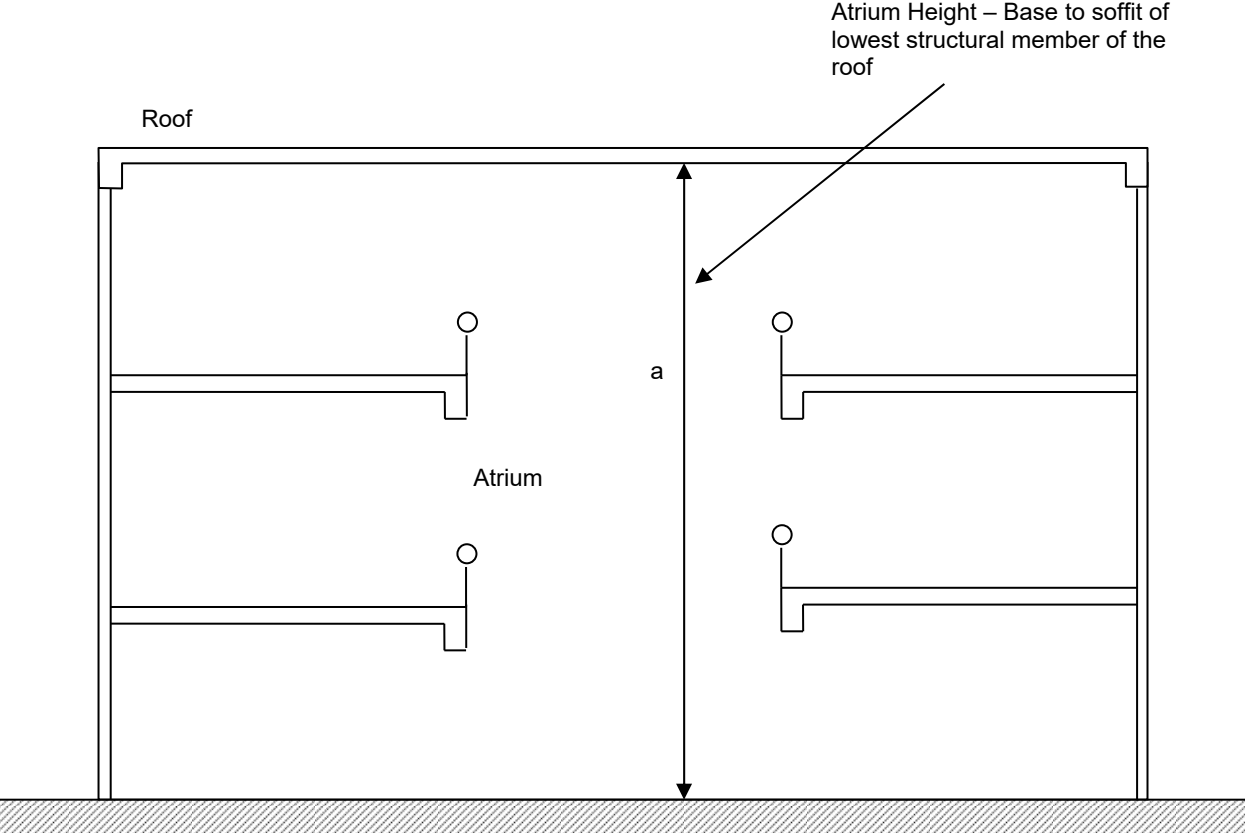
Diagram C6: Examples on Measuring Atrium Height (See Clause C10.3(c))

Example (a): Pitched Roof



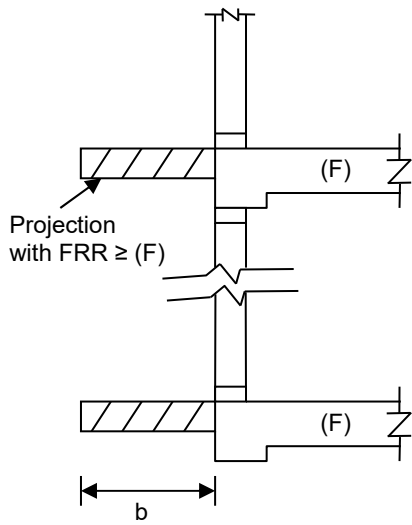
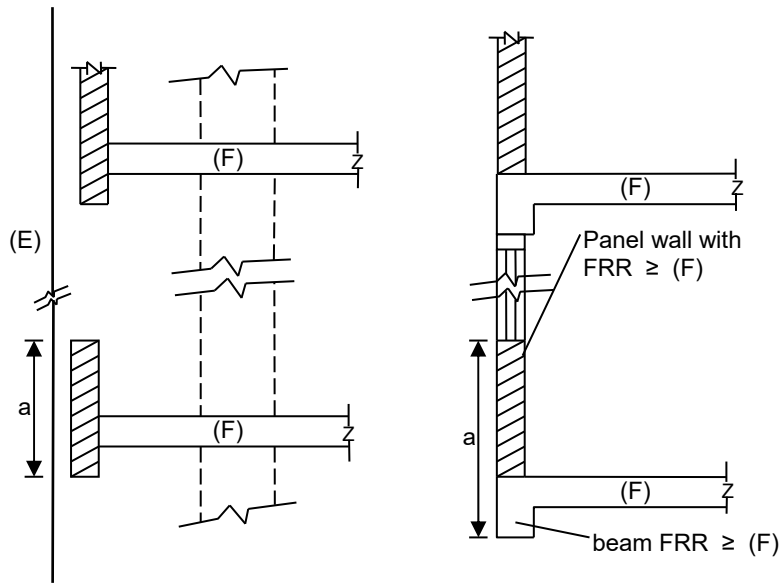
$a \leq 15 \text{ m}$

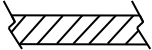
Example (b): Flat Roof



$a \leq 15 \text{ m}$

Diagram C7: Protection against Spread of Fire by Spandrels (see Clause C11.1)



- (F) FRR of Intervening floor
-  Spandrel having FRR \geq that of (F)
 - $a \geq 900$ mm
 - $b \geq 500$ mm
- (E) External wall (e.g. curtain wall) with no FRR or FRR $<$ that of (F)