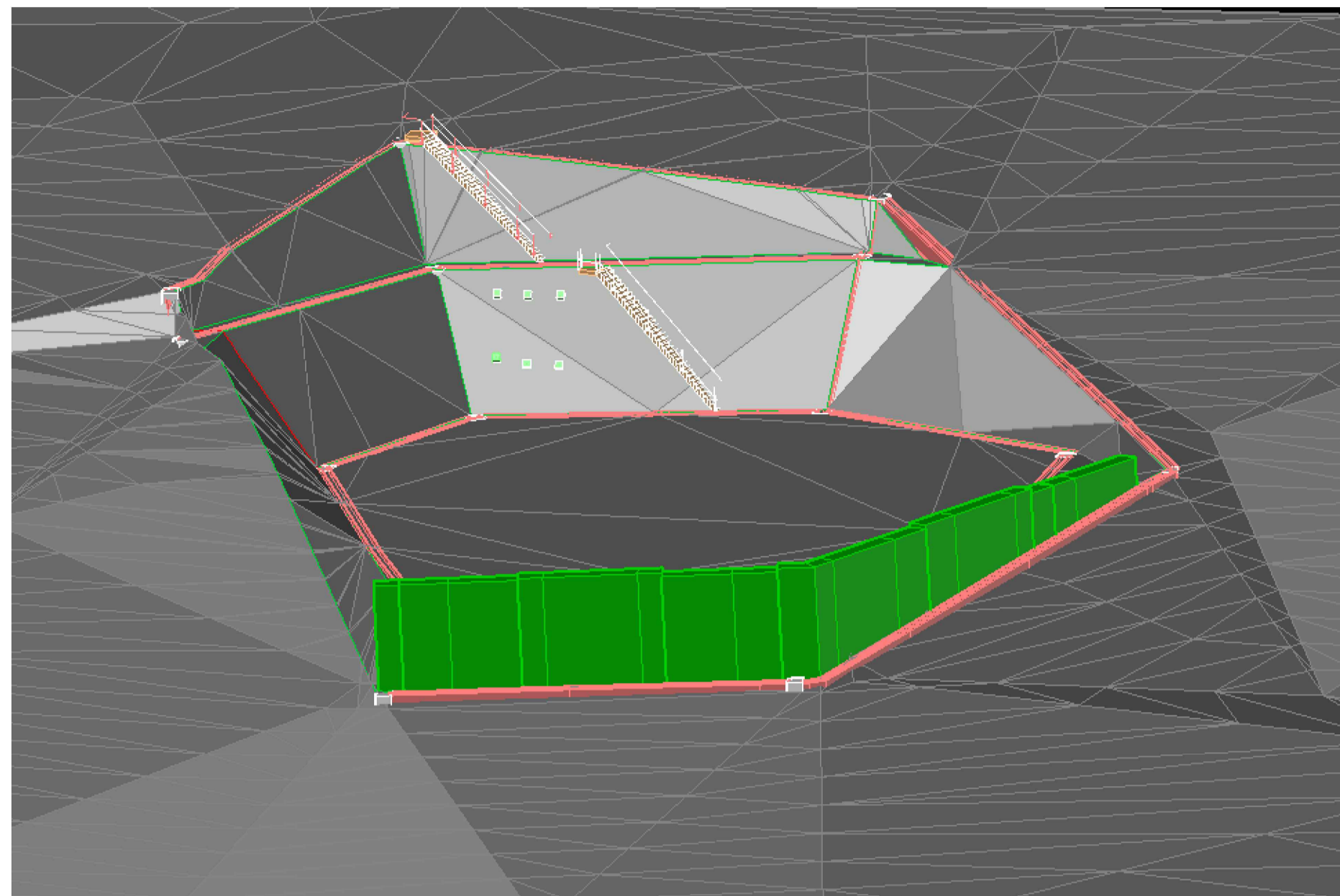




SITE FORMATION BLOCK PLAN
NTS.



OVERVIEW IN 3D (FOR INFORMATION ONLY)
NTS.

NOTES

1. THE CONTRACTOR SHALL MAINTAIN AND PROTECT ALL EXISTING FACILITIES AND DRAINAGE SYSTEM WITHIN AND NEARBY THE SITE UNLESS OTHERWISE INSTRUCTED BY THE SUPERVISOR.
2. ANY UTILITIES SHOWN ON THIS PLAN ARE INDICATIVE ONLY. THE CONTRACTOR IS RESPONSIBLE FOR CONFIRMING THE EXACT LOCATIONS AND ALIGNMENT ON SITE.
3. IF THE CUT SLOPE TO BE LAST FOR MORE THAN A YEAR, SHOTCRETE OR SIMILAR SLOPE SURFACE PROTECTIVE MEASURE SHALL BE APPLIED.
4. TEMPORARY DRAINAGE REFER TO TEMPORARY DRAINAGE MANAGEMENT PLAN.
5. IF THE LOADING OR GROUNDWATER CONDITIONS ARE DEVIATED FROM THE DESIGN ASSUMPTIONS, FURTHER DESIGN OR CHECKING SHALL BE REQUIRED TO CONFIRM THE MAXIMUM CUT SLOPE ANGLE.
6. THIS DRAWING SHALL BE READ IN CONJUNCTION WITH THE SPECIFICATIONS AND THE PARTICULAR REQUIREMENTS WHICH ARE SHOWN ON INDIVIDUAL DRAWINGS.
7. UNLESS OTHERWISE SPECIFIED, THESE GENERAL NOTES ARE APPLICABLE TO ALL GEOTECHNICAL WORKS OF SITE FORMATION.
8. ALL WORKS SHALL BE CARRIED OUT IN ACCORDANCE WITH THE GENERAL SPECIFICATION FOR CIVIL ENGINEERING WORKS 2006 OR OTHERWISE SPECIFIED.
9. THE BOTTOM OF THE EXCAVATION SHALL BE KEPT DRY. WATERFLOW INTO THE EXCAVATION SHALL BE PUMPED TO SAFE DISCHARGE POINT TO AVOID PONDING AT BASE OF EXCAVATION.
10. ALL EXCAVATION WORK SHALL NOT REDUCE THE REQUIRED STABILITY OF THE SLOPE.
11. IF DURING EXECUTION OF THE WORKS, THE GROUND CONDITIONS ARE FOUND TO BE SUBSTANTIALLY DIFFERENT FROM THE DESIGN, THE ENGINEER MAY CHANGE THE DESIGN AND THE EXTENT OF THE WORKS IN ORDER TO ADDRESS THE ACTUAL GROUND CONDITIONS.
12. DURING THE EXECUTION OF WORKS, RECORDS SHALL BE SUBMITTED TO THE ENGINEER OF THE GROUND ENCOUNTERED. THESE RECORDS SHALL INCLUDE THE LEVELS OF SOIL AND ROCK ACROSS THE SLOPE FACE, THE OCCURRENCE OF GROUNDWATER AND THE LOCATIONS OF ANY VOIDS OR WEAK OR WET GROUND.
13. REGULAR CLEAN-UP OF DIESEL AND OIL SPILLS SHALL BE CARRIED OUT TO PREVENT CONTAMINATION OF SURFACE DRAINAGE WATER.

DIMENSIONS, LEVELS & SETTING-OUT

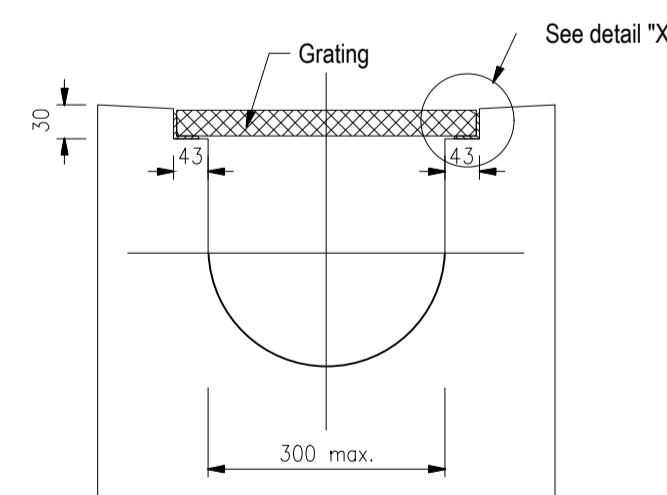
1. COORDINATES ARE BASED ON HONG KONG METRIC GRID (1980) UNLESS OTHERWISE SPECIFIED.
2. LEVELS ARE IN METRES RELATIVE TO HONG KONG PRINCIPAL DATUM (mPD) UNLESS OTHERWISE SPECIFIED.
3. DIMENSIONS ARE IN MILLIMETERS UNLESS OTHERWISE SPECIFIED.
4. SETTING OUT DIMENSIONS, LEVELS, COORDINATES ARE TO BE CALCULATED BY THE CONTRACTOR. NO INFORMATION SHOULD BE SCALED PHYSICALLY OR ELECTRONICALLY FROM THE DRAWINGS OR FILES.
5. SETTING OUT OF ALL SLOPES SHALL BE VERIFIED BY THE CONTRACTOR AND AGREED WITH THE ENGINEER ON SITE.

UTILITIES

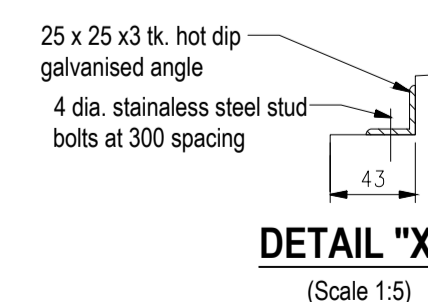
1. PRIOR TO COMMENCEMENT OF THE WORKS, THE CONTRACTOR SHALL CONFIRM THE EXACT LOCATIONS OF THE EXISTING UTILITIES AFFECTING OR TO BE AFFECTED BY THE WORKS USING INSPECTION PITS OR OTHER MEANS AS RECOMMENDED BY THE RELEVANT UTILITY / SERVICES COMPANIES OR PARTIES CONCERNED.
2. THE CONTRACTOR SHALL EXERCISE EXTREME CARE NOT TO DAMAGE ANY EXISTING UTILITIES OR SERVICES WITHIN OR IN THE VICINITY OF THE WORKS SITE AND WORKS AREA AND SHALL PROVIDE NECESSARY PROTECTION AND SUPPORT TO THE EXISTING UTILITIES OR SERVICES ACCORDANCE WITH THE REQUIREMENTS OF THE RELEVANT UTILITY / SERVICES COMPANIES OR PARTIES CONCERNED DURING THE EXECUTION WORKS. SHOULD ANY DAMAGE OCCUR TO THE UTILITIES / SERVICES DUE TO THE WORKS, SHOULD ANY DAMAGE OCCUR TO THE UTILITIES / SERVICES DUE TO THE CONTRACTOR'S WORKS, THE CONTRACTOR SHALL BE RESPONSIBLE FOR ANY LOSS INCURRED FROM THE DAMAGE.

THE PROTECTION OF EARTHWORKS AGAINST HEAVY RAINFALL

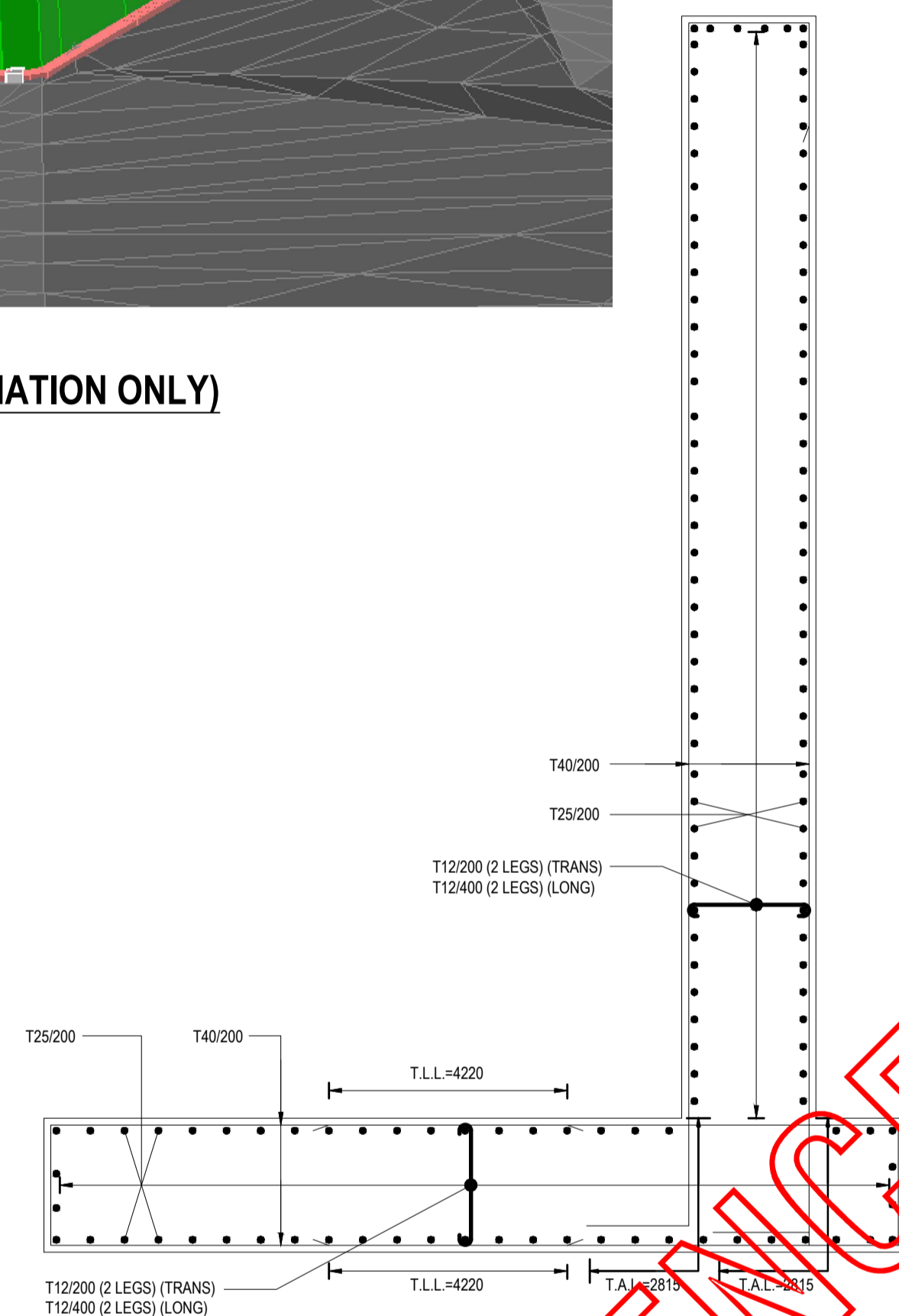
1. SURFACE WATER FLOWING INTO THE SITE FROM UPHILL SHALL BE INTERCEPTED AND CONDUCTED FROM THE SITE TO SAFE DISCHARGE POINT. AT EACH INTERSECTION AND ABRUPT CHANGE IN DIRECTION OF SURFACE DRAINAGE CHANNELS AN ACCESSIBLE CATCHPIT SHALL BE PROVIDED. ALL DRAINAGE WORKS SHALL BE KEPT CLEAR OF DEBRIS.
2. WHERE PARTIALLY COMPLETED DRAINAGE WORKS DISCHARGE WITHIN THE SITE, A TEMPORARY CONDUIT SHALL BE PROVIDED TO THE DISCHARGE POINT.
3. ALL EARTHWORKS SHALL BE GRADED AND SEALED TO ENSURE RUN-OFF AND TO AVOID PONDING.
4. A METHOD OF WORKING SHALL BE ADOPTED IN WHICH THE MINIMUM OF BARE SOIL IS EXPOSED AT ANY TIME. EARTHWORK TO FORM THE FINAL FACE SHALL BE FOLLOWED UP IMMEDIATELY WITH SURFACE PROTECTION AND DRAINAGE WORKS AND THE FACE PANEL SIZE SHALL BE ENOUGH TO PERMIT THIS.
5. EXCAVATION SHALL NOT BE LEFT OPEN ON OR ADJACENT TO SLOPES.
6. IF TRENCHES ON OR ADJACENT TO SLOPE HAVE TO BE EXCAVATED DURING THE WET SEASON, THIS SHALL BE DONE WITH EXTREME CARE IN SHORT SECTIONS AT A TIME. PRECAUTIONS SHALL ALWAYS BE TAKEN TO PREVENT WATER FROM ENTERING AND COLLECTING IN THE TRENCH.
7. WHERE TEMPORARY BARE EARTH SLOPE FACES ARE UNAVOIDABLE, THEY SHALL BE PROTECTED WITH IMPERMEABLE SHEETING WELL-SECURED AGAINST THE WIND. WHERE SLOPE FACES ARE TO BE TEMPORARILY EXPOSED FOR MORE THAN TWO WEEKS TEMPORARY HARD SURFACING SHALL BE PROVIDED AND TEMPORARY DRAINS SHALL BE INSTALLED.



TYPICAL CROSS SECTION OF CHANNEL

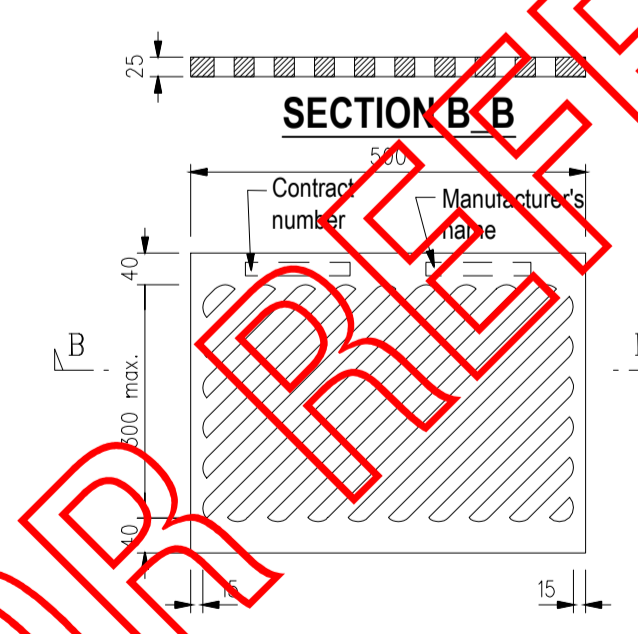


DETAIL "X"
(Scale 1:5)



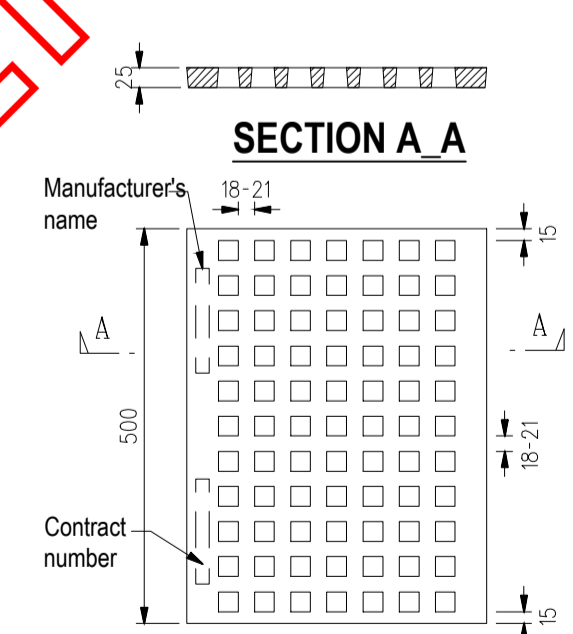
T-SHAPED RETAINING WALL R.C. DETAIL

N.T.S.



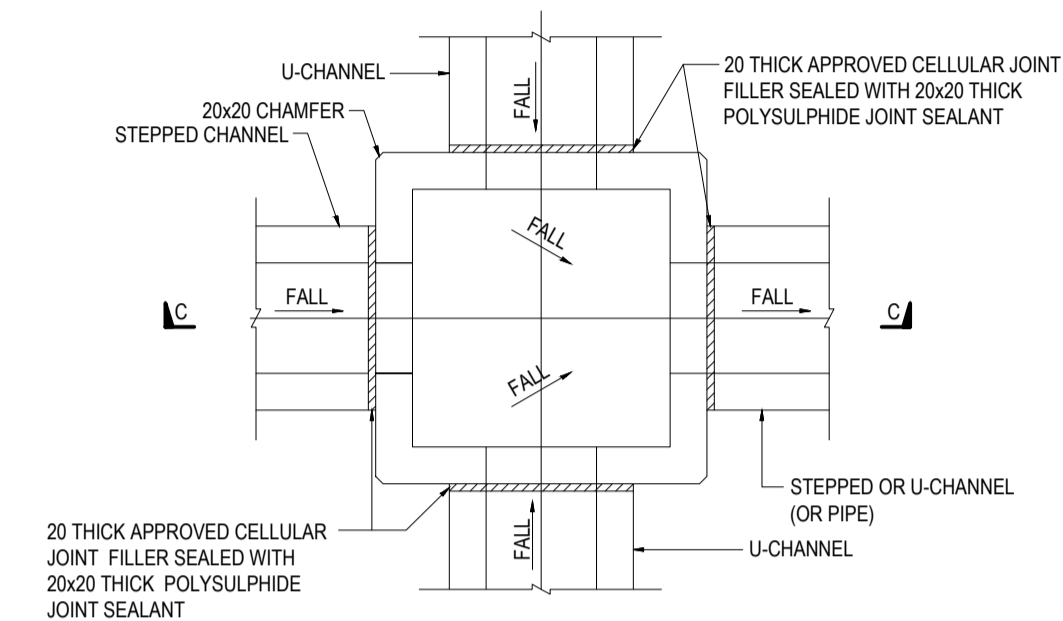
GRANTING - OBLIQUE BARS PATTERN

(All slots and ribs are 18 in width. Exact no. of slots and ribs to be adjusted to suit channel width.)

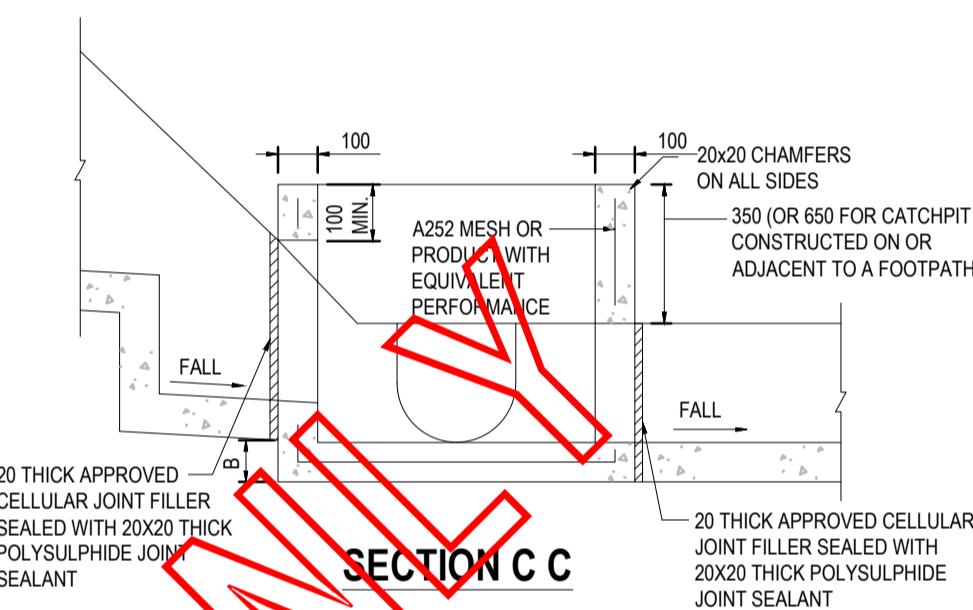


GRANTING - SQUARE HOLES PATTERN

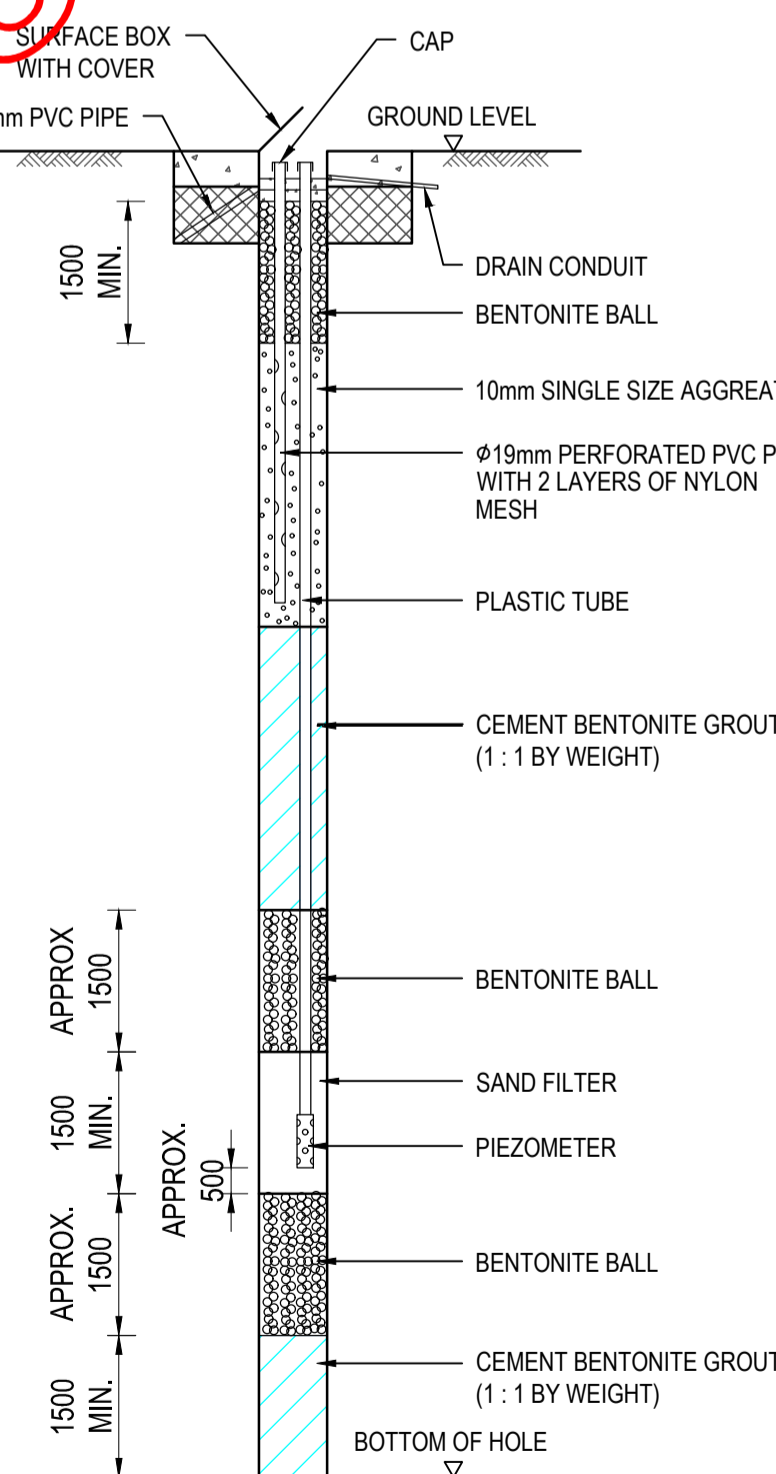
(All hole are 25 x 25 in size and all ribs are of equal width. Exact no. of holes and ribs to be adjusted to suit channel width.)



STANDARD CATCHPIT DETAILS



SECTION C C



STANDPIPE / PIEZOMETER

N.T.S.

BD REF :

BIM REF :

REV DATE AMENDMENT

PROJECT
CIC SAMPLE PROJECT

DRAWING TITLE
SITE FORMATION BLOCK PLAN

SCALE As indicated@A1

DRAWING NO. T001 REV. NO.

SOURCE ---

90mm (W) x 40mm (H) space for COMPANY LOGO

90mm (W) x 60mm (H) space for AP/RSE/RGE's signature/ and stamp chop

BD's OFFICIAL USE

90mm (W) x 150mm (H) space for BD's approval stamp / certification of copies of approved plans (PNAP ADM-10 APP A)

