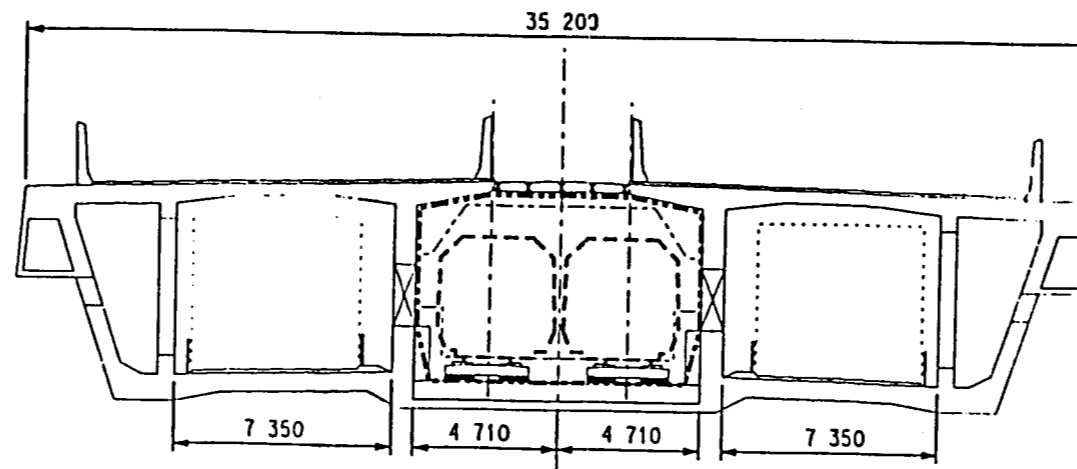
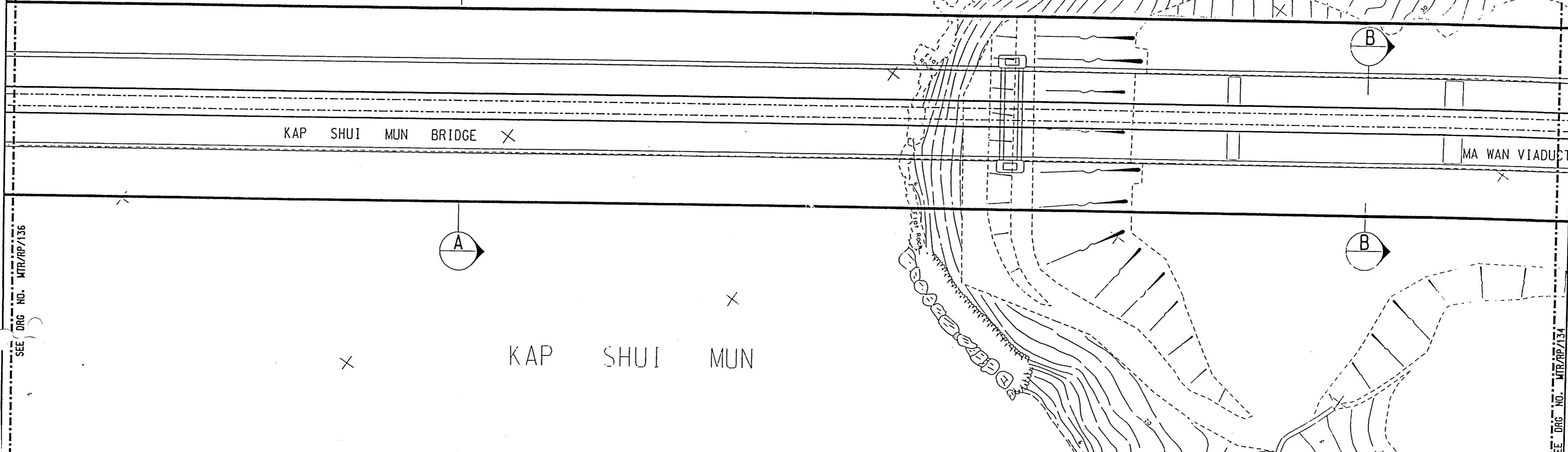
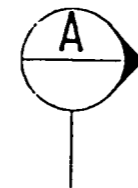


SECTION A - A



SECTION B - B

823 700 E  
822 800 N



SEE DRG NO. MTR/RP/136

SEE DRG NO. MTR/RP/134

- LEGEND:**
- RAILWAY PROTECTION BOUNDARY (BOUNDARY OF AREA NUMBER 3 OF THE SCHEDULED AREAS)
  - MTR STATION ABOVE GROUND ENTRANCES
  - MTR UNDERGROUND STRUCTURES/TUNNELS
  - MTR VENTILATION SHAFTS
  - MTR ABOVE GROUND STRUCTURES/VIADUCTS
  - LINE DRAINAGE SUMP
  - ABANDONED ACCESS ADIT & SHAFT
  - STRUCTURES LESS THAN 3m BELOW GROUND
  - WELL WATER FEED SYSTEM
  - MTR COOLING WATER MAINS
  - DRAINAGE
  - WATER PIPE
  - RAILWAY FENCE TYPE F1

823 900 E  
822 700 N

**AREA NUMBER 3 OF THE SCHEDULED AREAS**

Signed: **MASS TRANSIT RAILWAY**  
 (Bowen Leung)  
 Secretary for Planning, Environment and Lands

**RAILWAY PROTECTION PLAN**

**LANTAU FIXED CROSSING TO YAM O**

Dated: 29 June 1998

FIFTH SCHEDULE BUILDINGS ORDINANCE (CAP. 123)	SCALE 1 : 1000 	DRAWING NO. <b>MTR/RP/135</b> DATE JAN 1998 MTR CAD REFERENCE NO. RP_109.DGN
---	--------------------	---