

Top View

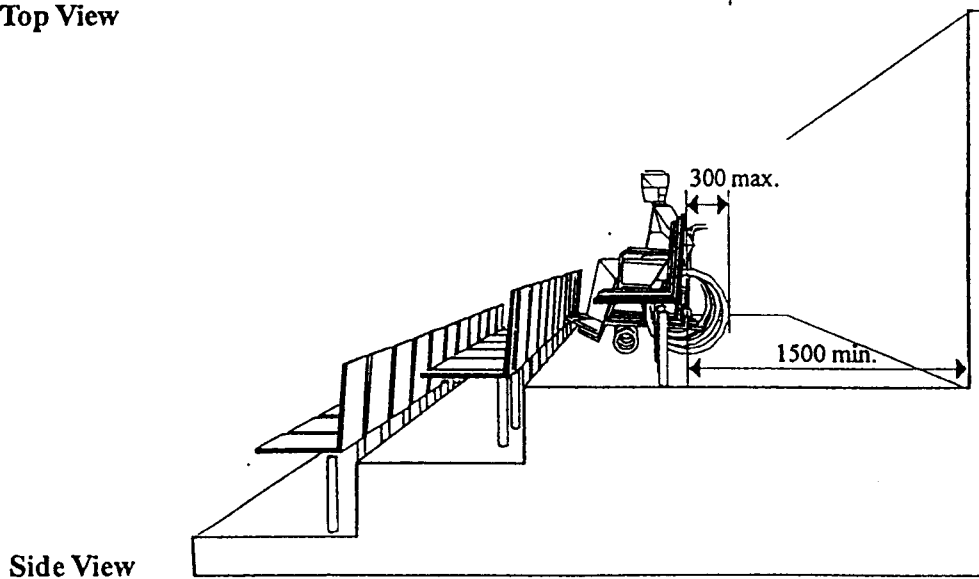


Fig. 1 WHEELCHAIR SPACE IN AUDITORIUM

* ALL DIMENSIONS IN MM

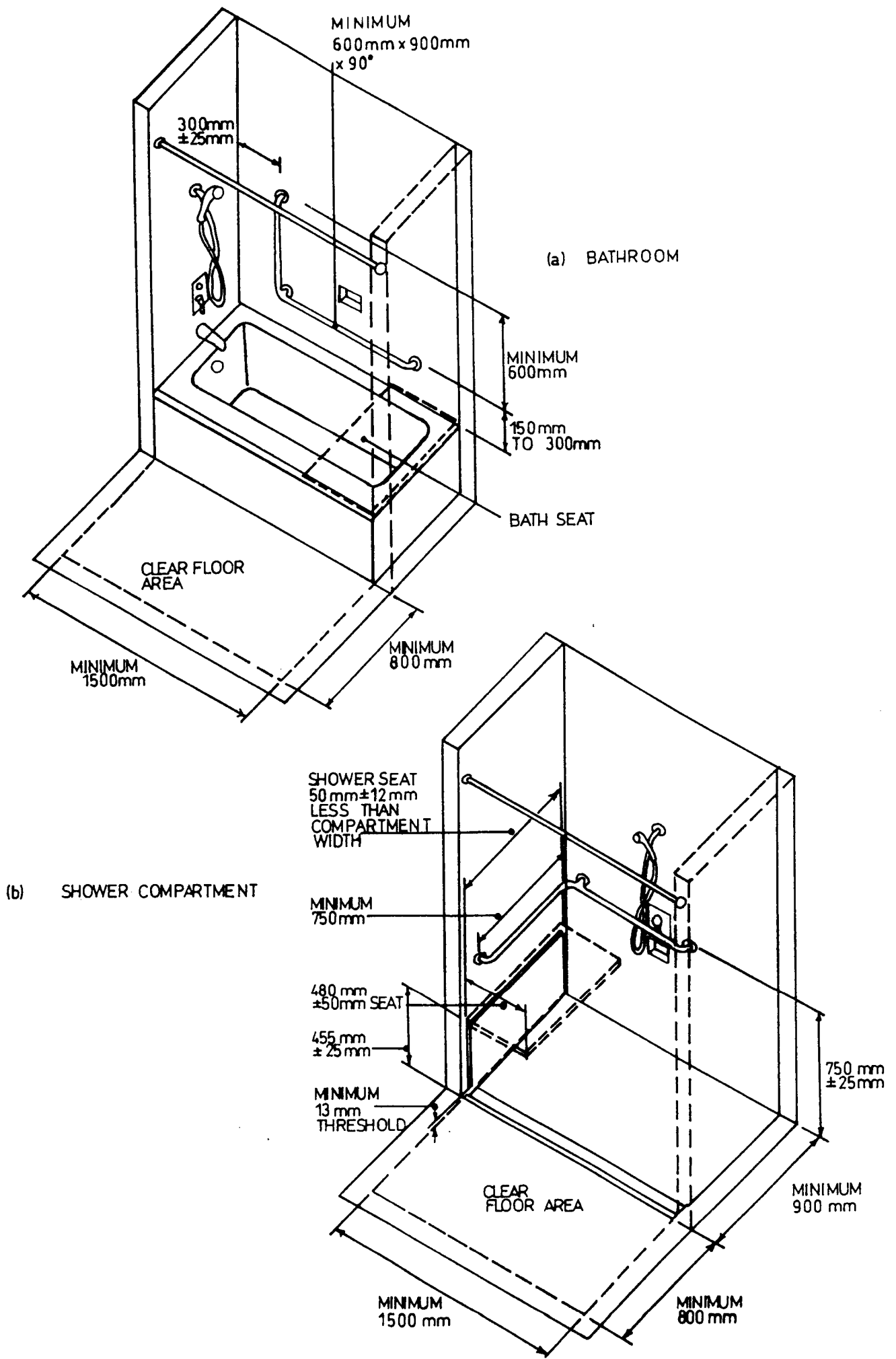


Fig.2 EXAMPLE OF BATHROOM AND SHOWER COMPARTMENT

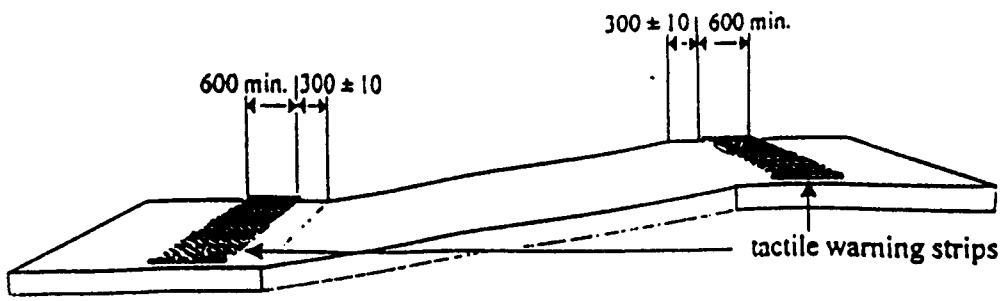
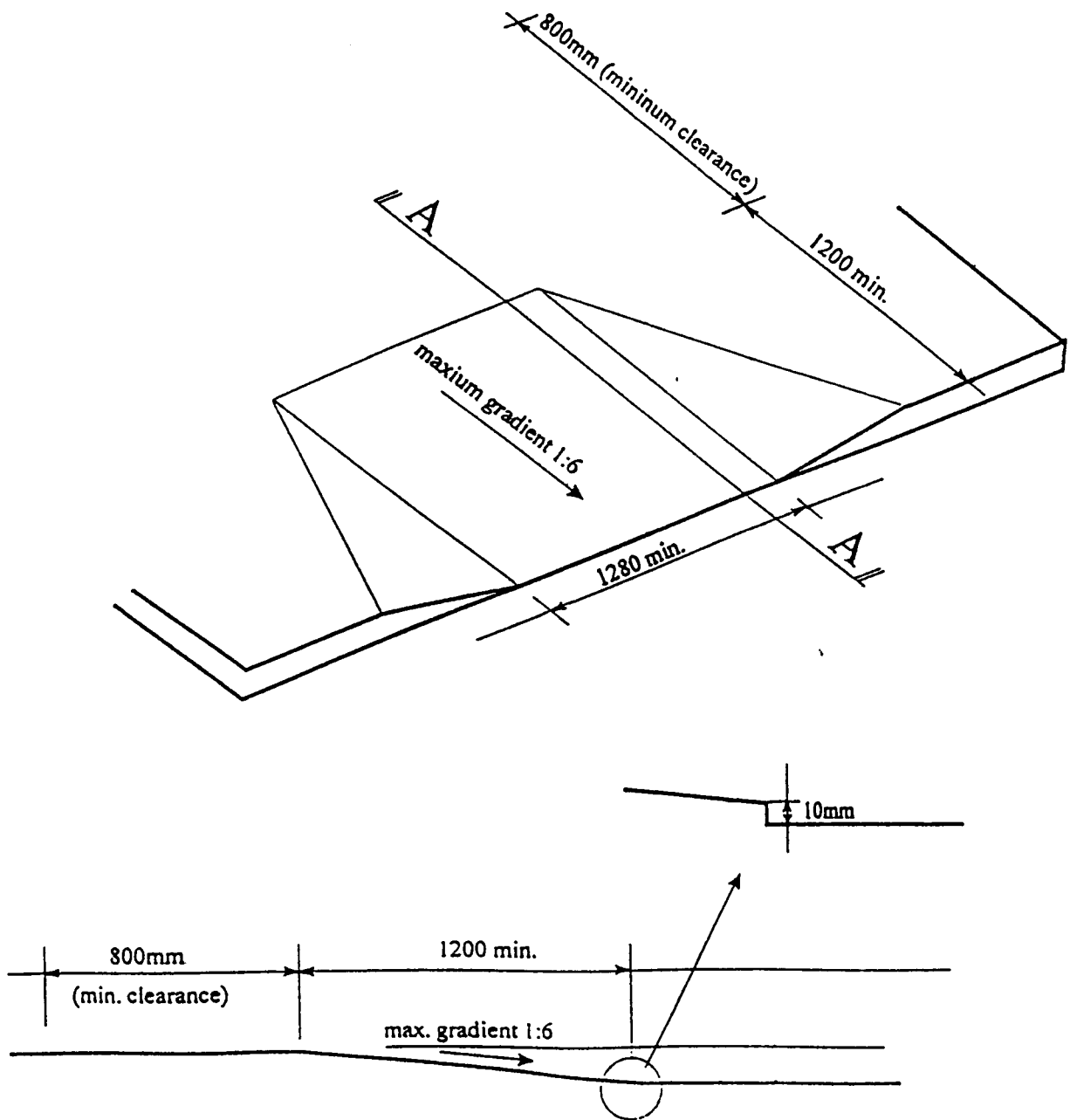


Fig.3 TACTILE WARNING STRIP FOR RAMPS



Section A-A

Fig.4 SUITABLE METHOD OF BLENDING PAVEMENT AND ROAD WAY SURFACES

* ALL DIMENSTONS IN MM

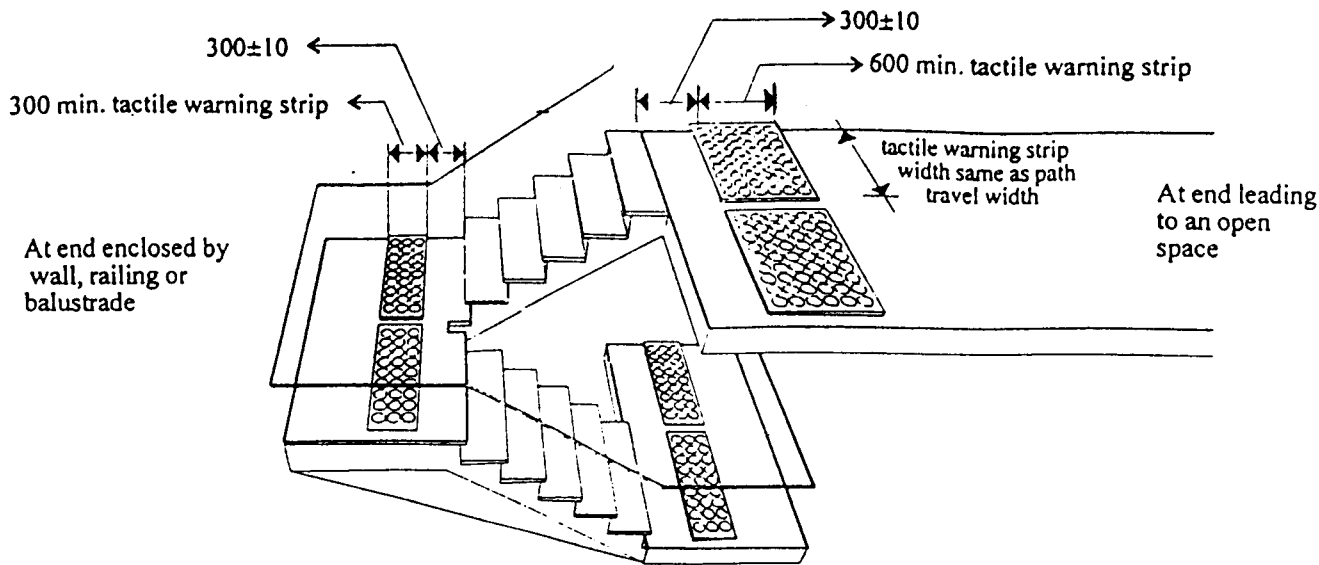


Fig.5 TACTILE WARNING STRIP FOR STAIRCASES

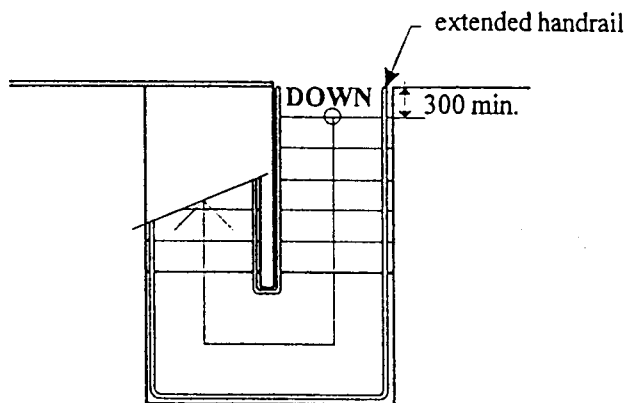


Fig.6 EXAMPLE OF STAIRCASE PLAN FOR AMBULANT DISABLED

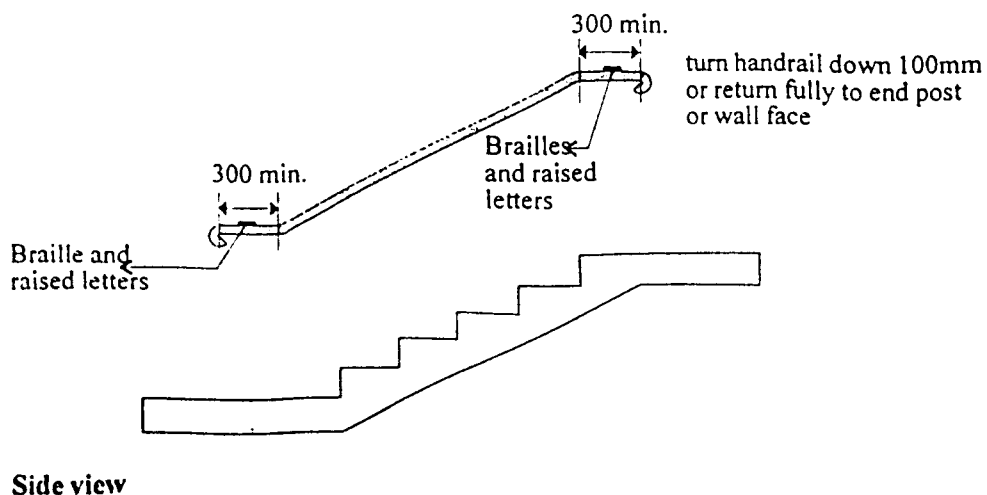


Fig.7 HANDRAILS OF STAIRCASES

* ALL DIMENSIONS IN MM

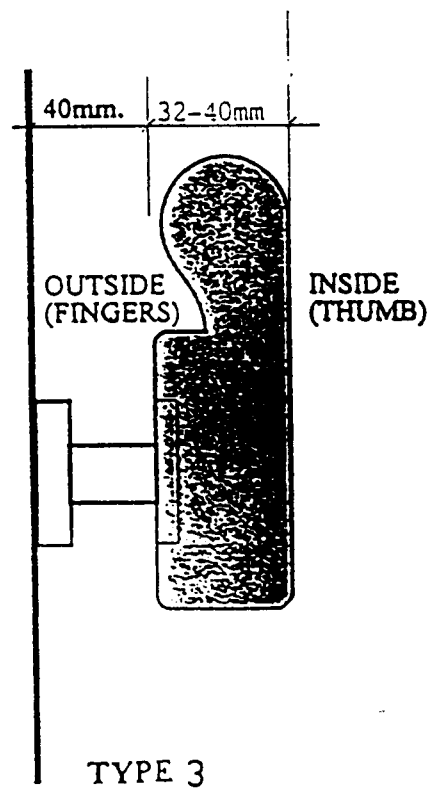
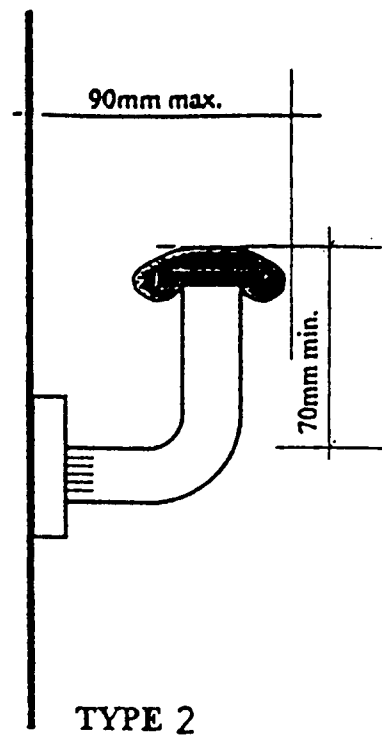
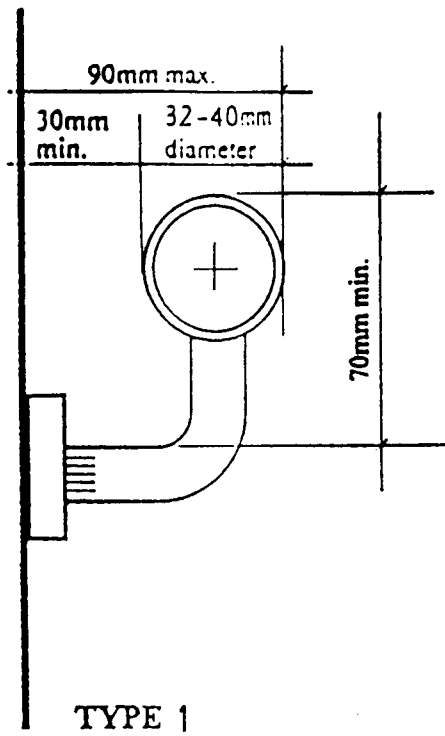


Fig.8 HANDRAILS

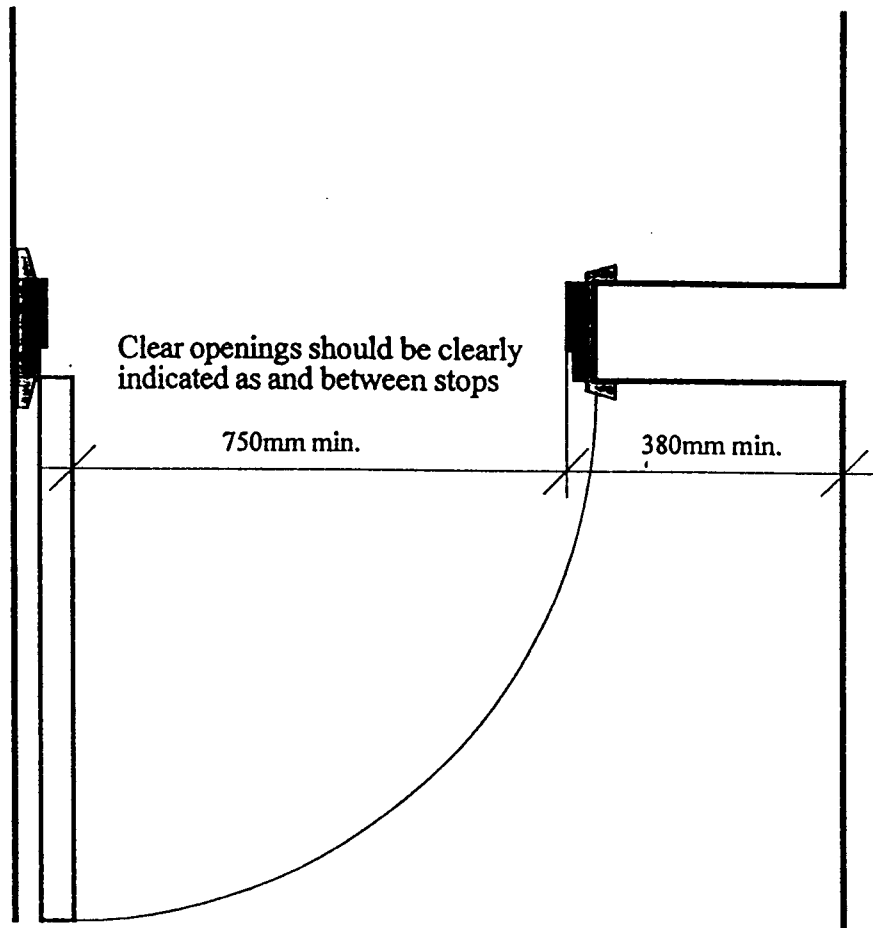
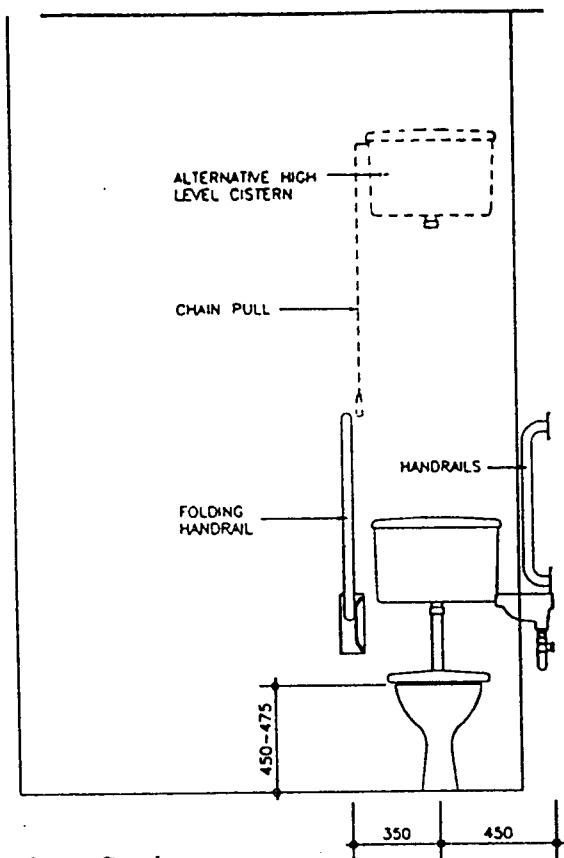
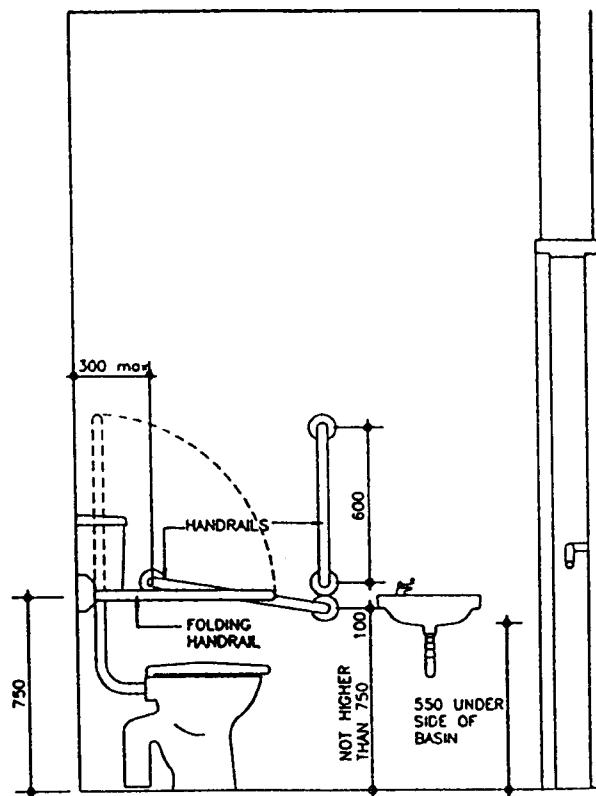


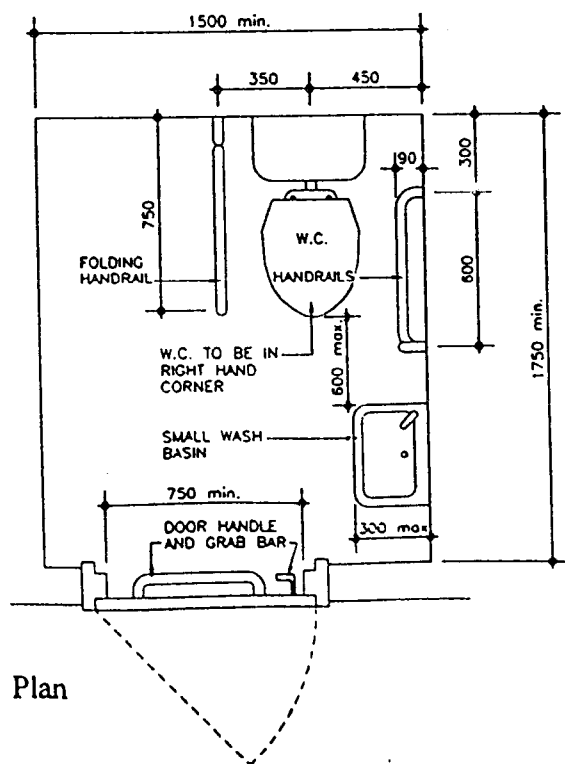
Fig.9 PLAN OF DOORS SUITABLE FOR WHEELCHAIR USERS



Cross Section



Long Section



Plan

Fig.10 W.C. COMPARTMENT FOR PEOPLE WITH A DISABILITY

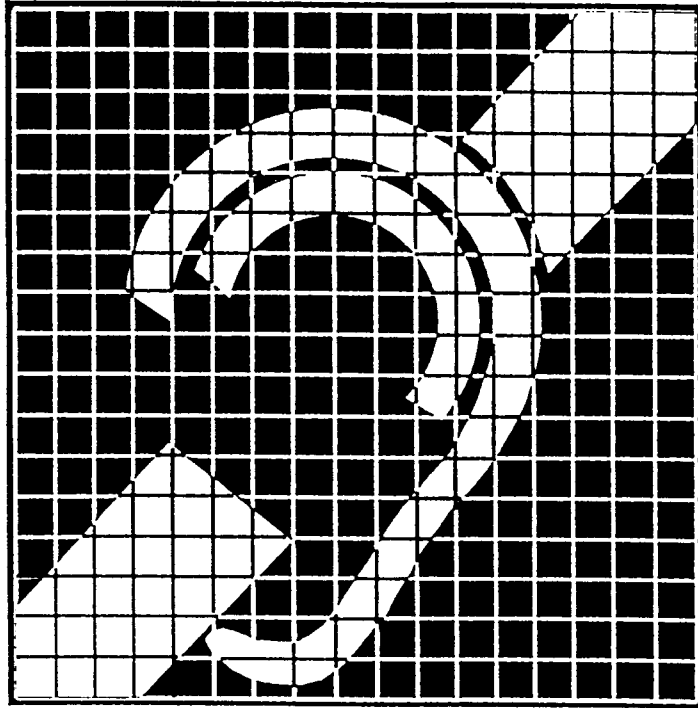
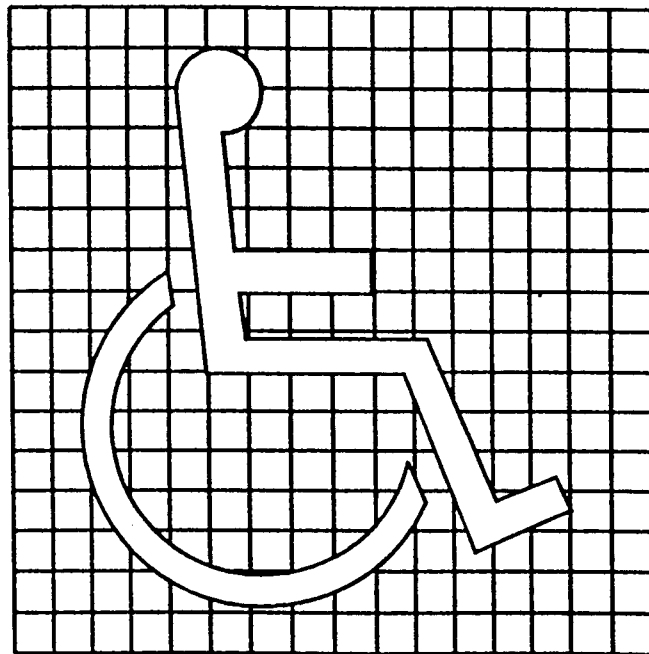
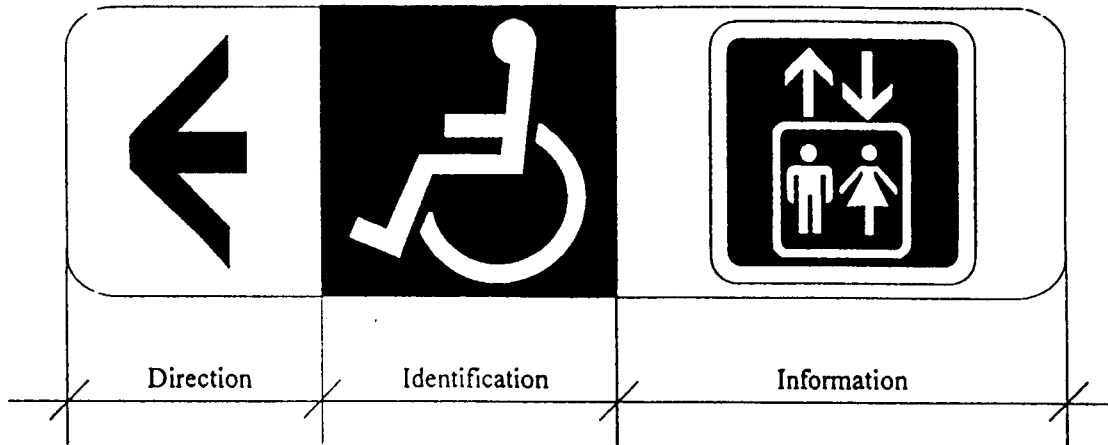


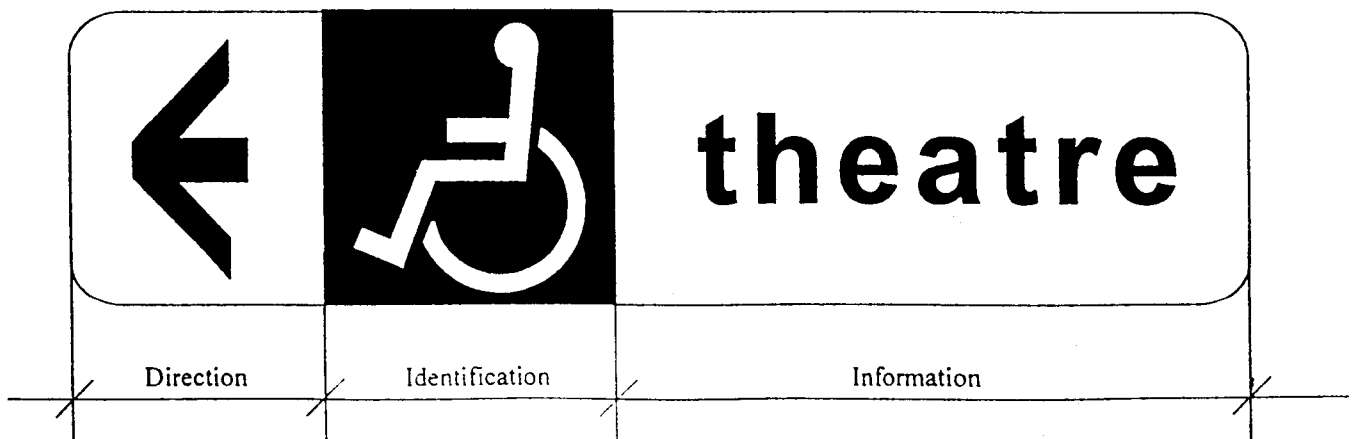
Fig.11 PROPORTIONAL LAYOUT FOR
INTERNATIONAL SYMBOL FOR DEAFNESS



**Fig.12 PROPORTIONAL GEOMETRICAL LAYOUT FOR
INTERNATIONAL SYMBOL FOR THE DISABLED**



(a) Example of a sign identifying a facility and indicating its direction using a standard symbol (lift)



(b) Example of a sign identifying a facility and indicating its direction using word

Fig.13 SIGNS

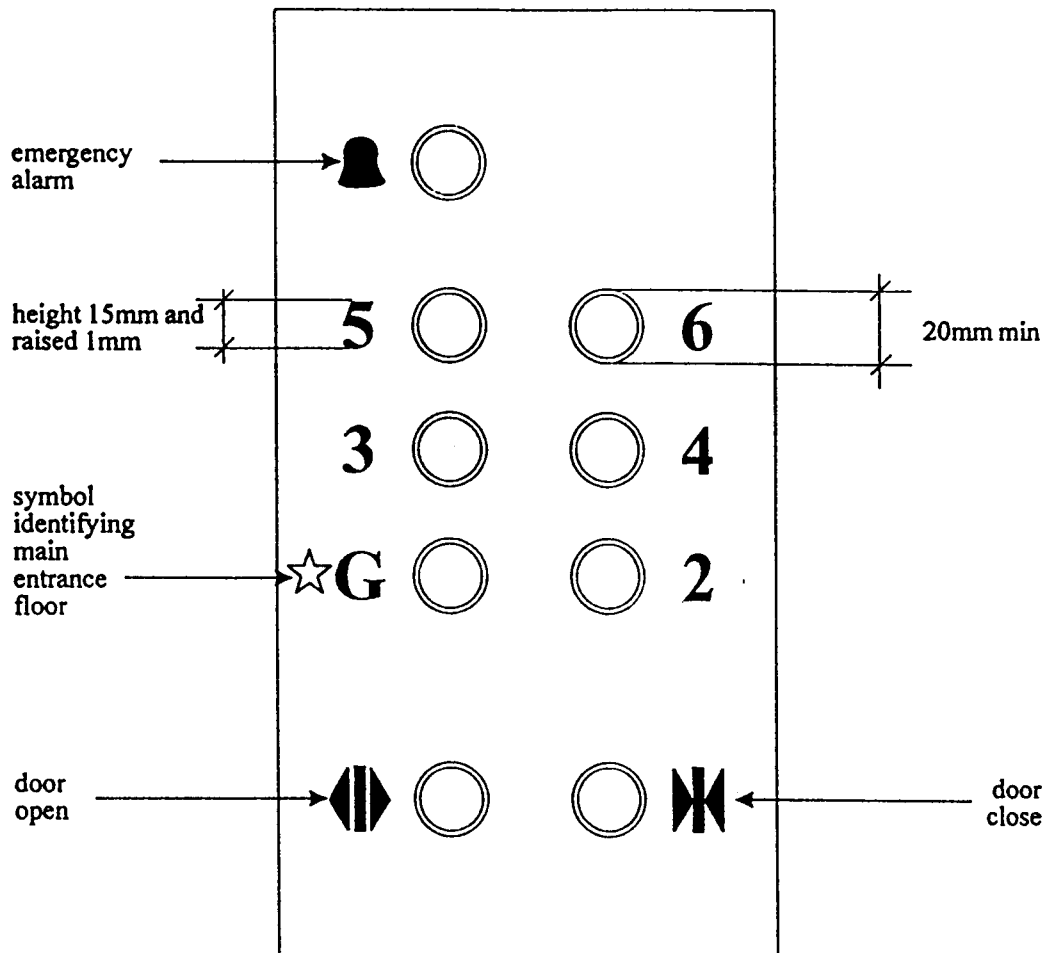


Fig.14 TACTILE GRAPHICS FOR LIFT CONTROL BUTTONS